

PARTIAL FOUNDATION AND FLOOR PLAN  
SCALE: 1/8"=1'-0"

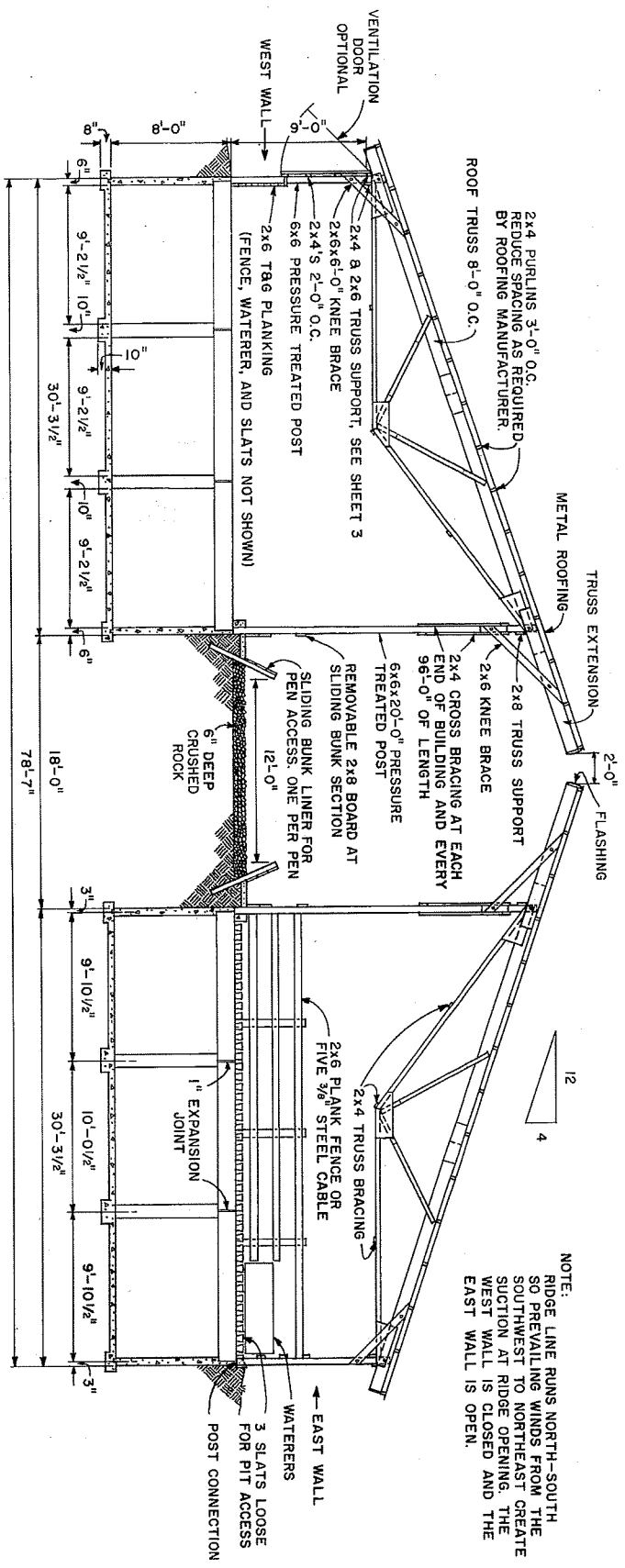
NOTE:  
CONSULT LOCAL HEALTH AND  
BUILDING CODE AUTHORITIES  
BEFORE STARTING CONSTRUCTION

COOPERATIVE EXTENSION WORK IN  
AGRICULTURE AND HOME ECONOMICS  
STATE OF NORTH DAKOTA  
NORTH DAKOTA STATE UNIVERSITY  
DEPARTMENT OF AGRICULTURE AND HOME ECONOMICS  
UNIVERSITY OF MINNESOTA  
CONFINEMENT BEEF BARN

BASED ON UNIV. OF ILL. PLAN NO. 586

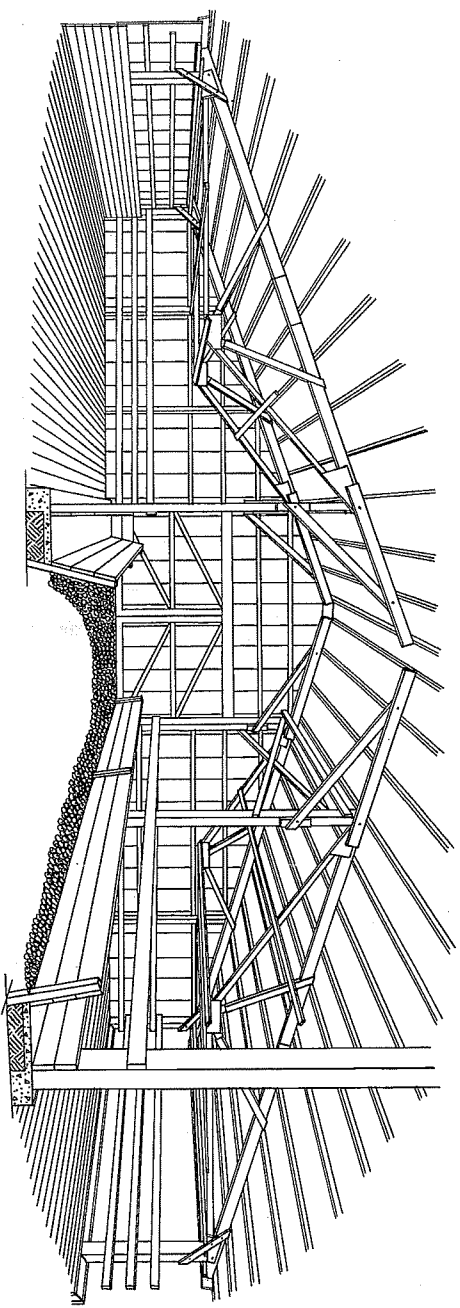
DATE	73	SHEET	1 OF 4
PROJECT NO.	6156		

5/12/73 H. M. ...



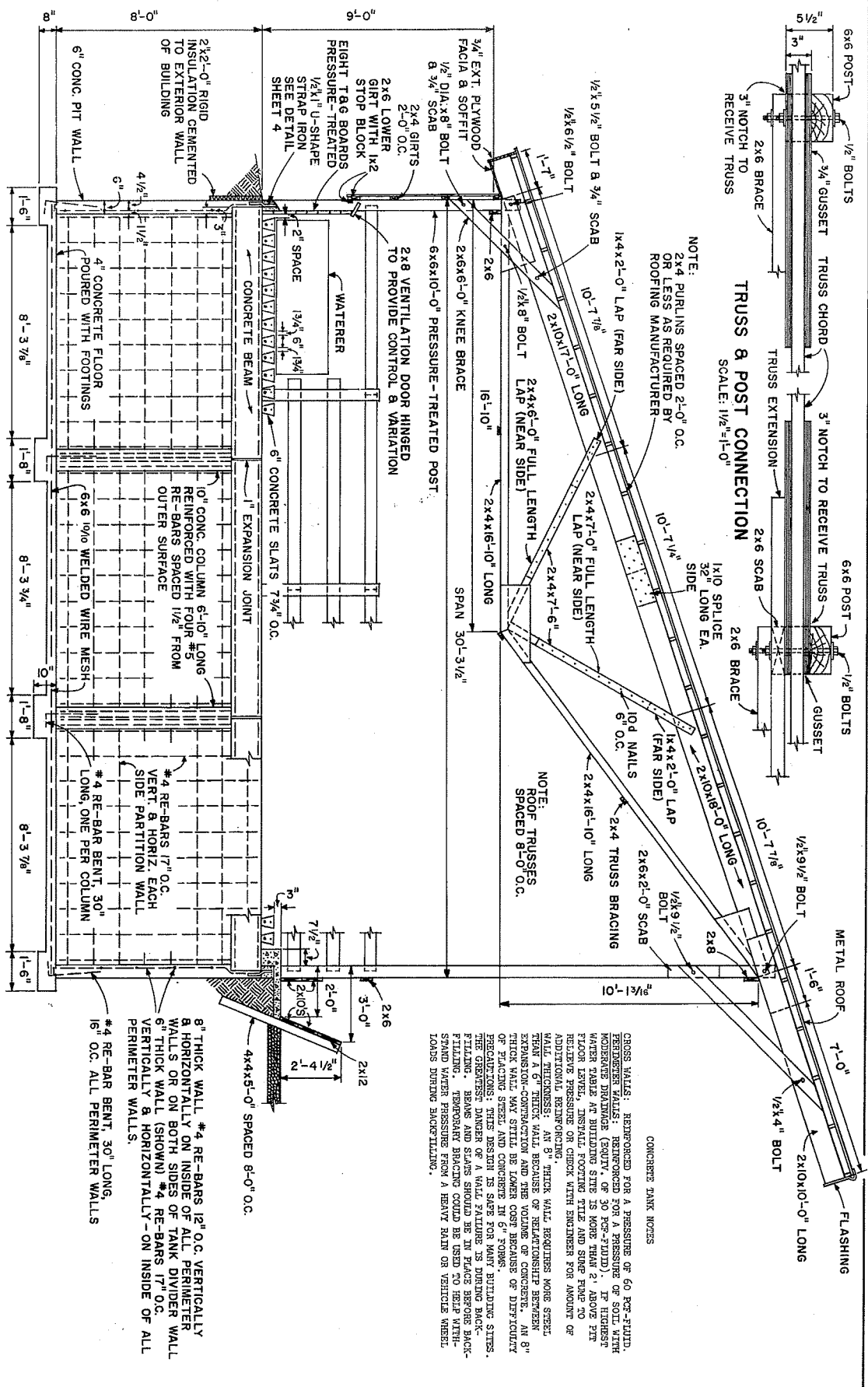
SECTION A-A  
SCALE: 3/8" = 1'-0"

NOTE:  
RIDGE LINE RUNS NORTH-SOUTH  
SO PREVAILING WINDS FROM THE  
SOUTHWEST TO NORTHEAST CREATE  
SUCTION AT RIDGE OPENING. THE  
WEST WALL IS CLOSED AND THE  
EAST WALL IS OPEN.



INTERIOR PERSPECTIVE

COOPERATIVE EXTENSION WORK IN			
AGRICULTURE AND HOME ECONOMICS			
STATE OF NORTH DAKOTA			
NORTH DAKOTA STATE UNIVERSITY			
OF AGRICULTURE AND APPLIED SCIENCE			
UNITED STATES DEPARTMENT OF AGRICULTURE COOPERATING			
<b>CONFINEMENT BEEF BARN</b>			
ILL.	'73	6156	SHEET 2 OF 4



**TRUSS & POST CONNECTION**  
SCALE: 1/2"=1'-0"

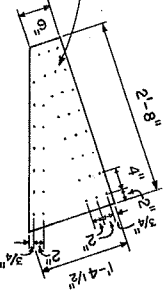
NOTE:  
2x4 PURLINS SPACED 2'-0" O.C. OR LESS AS REQUIRED BY ROOFING MANUFACTURER

NOTE:  
ROOF TRUSSES SPACED 8'-0" O.C.

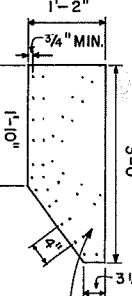
CONCRETE TANK NOTES

CROSS WALLS: REINFORCED FOR A PRESSURE OF 60 PSY-FILL. PERIMETER WALLS: REINFORCED FOR A PRESSURE OF 80 PSY WITH MODERATE DRAINAGE (SOIL, OR 30 PSY-FILL). IF HIGHEST WATER TABLE AT BUILDING SITE IS MORE THAN 2' ABOVE FLOOR LEVEL, INSTALL FOOTING TILE AND SOIL PIPE TO EXTERIOR PRESSURE POINT WITH ENGINER FOR AMOUNT OF ADDITIONAL PRESSURE. AN 8" THICK WALL REQUIRES MORE STEEL THAN A 6" THICK WALL BECAUSE OF RELATIONSHIP BETWEEN EXPANSION-CONTRACTION AND THE VOLUME OF CONCRETE. AN 8" THICK WALL MAY STILL BE LOWER COST BECAUSE OF DIFFICULTY OF PLACING STEEL AND CONCRETE IN 6" FORMS. PRECAUTIONS: THIS DESIGN IS SAFE FOR MANY BUILDING SITES. THE GREATEST DANGER OF A WALL FAILURE IS DURING BACK-FILLING. BEAMS AND SLATS SHOULD BE IN PLACE BEFORE BACK-FILLING. TEMPORARY BRACING COULD BE USED TO HELP WITH-STAND WATER PRESSURE FROM A HEAVY RAIN OR VEHICLE WHEEL LOADS DURING BACK-FILLING.

**SECTION B-B**  
SCALE: 3/8"=1'-0"



**GUSSET PLATES & NAILING PATTERN**  
SCALE: 3/4"=1'-0"

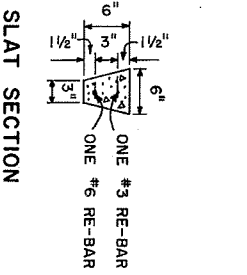
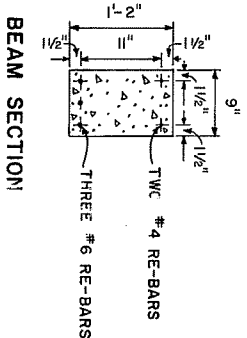
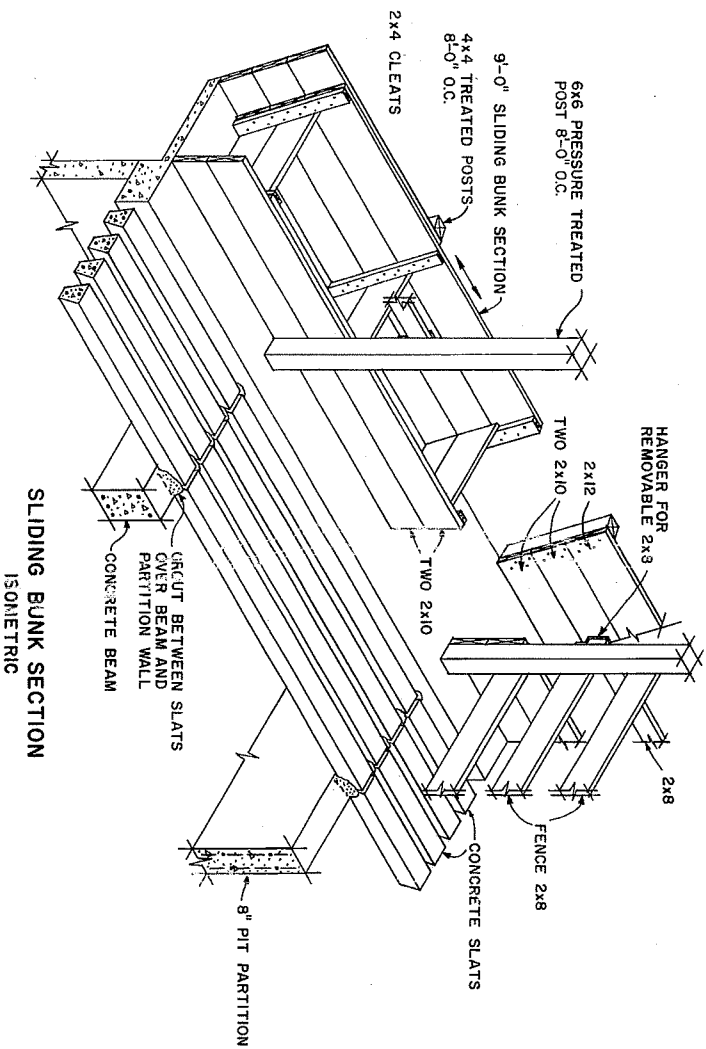
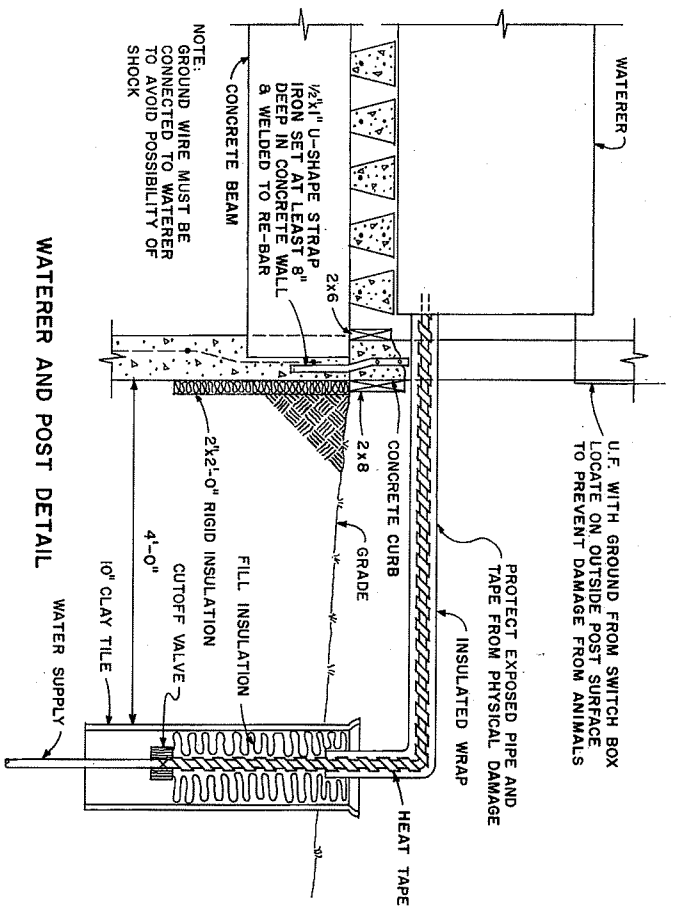
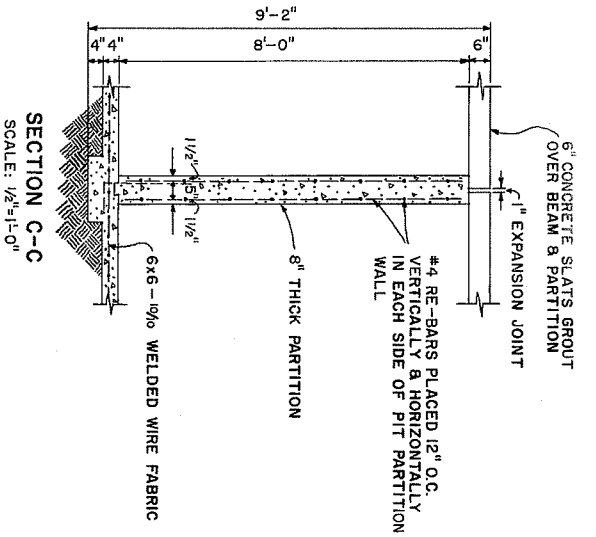


NOTE:  
USE 6d OR 7d GALVANIZED OR CEMENT COATED NAILS. NAIL OUTWARD FROM MIDDLE ROW.

COOPERATIVE EXTENSION WORK IN  
AGRICULTURE AND HOME ECONOMICS  
STATE OF NORTH DAKOTA  
NORTH DAKOTA STATE UNIVERSITY  
DEPARTMENT OF AGRICULTURE AND APPLIED SCIENCE  
AND  
UNITED STATES DEPARTMENT OF AGRICULTURE COOPERATING

**CONFINEMENT BEEF BARN**

ILL. 73 6156 SHEET 3 OF 4



SCALE: 1"=1'-0" UNLESS OTHERWISE NOTED

COOPERATIVE EXTENSION WORK IN AGRICULTURE AND HOME ECONOMICS  
STATE OF NORTH DAKOTA  
NORTH DAKOTA STATE UNIVERSITY  
DEPARTMENT OF AGRICULTURE AND APPLIED SCIENCE  
UNITED STATES DEPARTMENT OF AGRICULTURE COOPERATING

**CONFINEMENT BEEF BARN**

ILL. '73 · 6156 SHEET 4 OF 4

2/10/73 D. W. ...