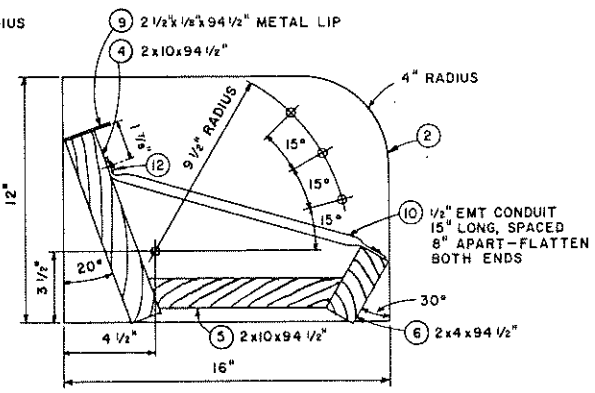
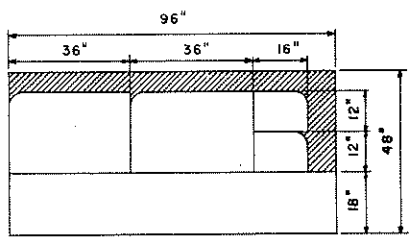


FEEDER END

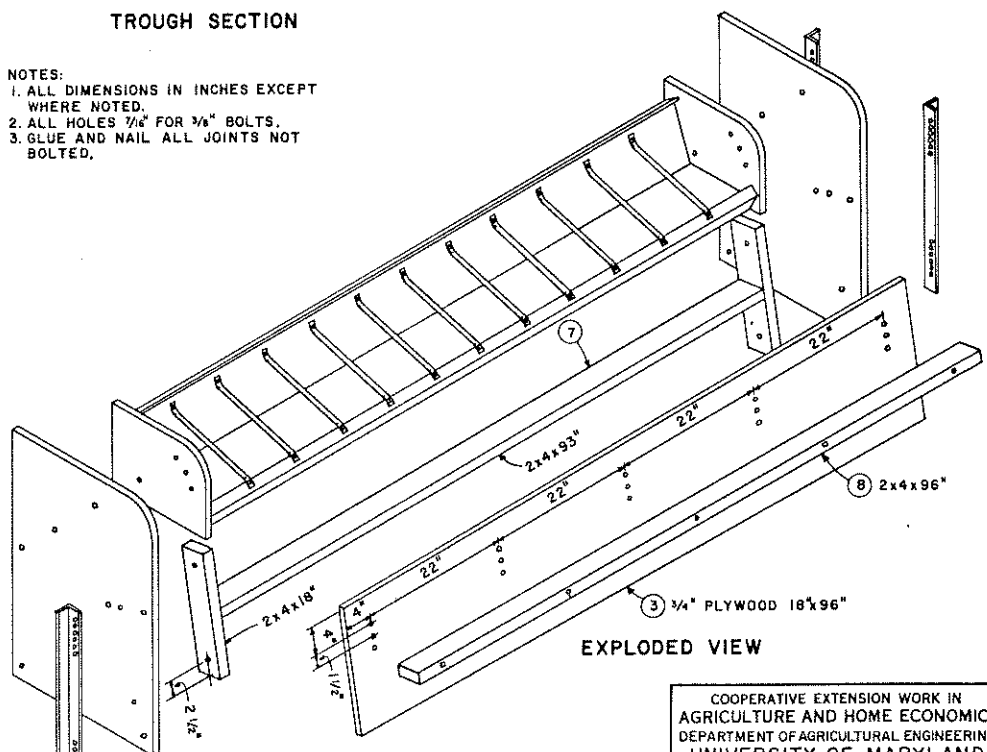


TROUGH SECTION



PLYWOOD CUTTING DIAGRAM
SCALE: 0 1 2 3 FT.

- NOTES:
 1. ALL DIMENSIONS IN INCHES EXCEPT WHERE NOTED.
 2. ALL HOLES 7/16" FOR 3/8" BOLTS.
 3. GLUE AND NAIL ALL JOINTS NOT BOLTED.



EXPLODED VIEW

BILL OF MATERIAL

NO.	NAME	MAT.	QN.	STOCK LIST & NOTES
1	FEEDER END	WOOD	2	CUT FROM 4'-0"x8'-0" SHEET, 3/4" B-C EXT-DFPA PLYWOOD
2	TROUGH END	"	2	"
3	STEP PANEL	"	1	"
4	TROUGH BACK	"	1	2x10 DF } 16'-0" REQ'D
5	TROUGH BOTTOM	"	1	2x10 DF }
6	TROUGH FRONT	"	1	2x4 DF }
7	BRACE	"	1	2x4 DF } 27'-0" REQ'D
8	STEP	"	1	2x4 DF }
9	LIP	STEEL	1	2 1/2 x 1/8 x 8'-0" LONG FLAT STOCK
10	SEPARATORS	ALUM.	11	1 1/2 x 1/2" EMT CONDUIT
11	LEGS	STEEL	4	2 1/2 x 1/8 x 9'-0" LONG ANGLE IRON
12	10x1" RD. HD. WOOD SCR.		22	
	3/8" SQ. HD. BOLTS		21	8-1 1/2", 4-2", 4-3", 5-5"
	3/8" SQ. HD. NUTS		21	
	3/8" MED. FLAT WASHERS		34	

COOPERATIVE EXTENSION WORK IN
 AGRICULTURE AND HOME ECONOMICS
 DEPARTMENT OF AGRICULTURAL ENGINEERING
 UNIVERSITY OF MARYLAND
 AND
 UNITED STATES DEPARTMENT OF AGRICULTURE COOPERATING

**HOG FEEDER
 STAND-UP TYPE**

CALIF. '72 **6144** SHEET 1 OF 1