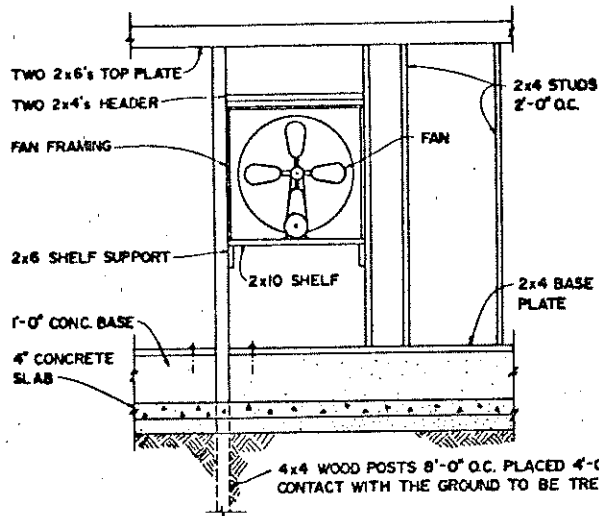


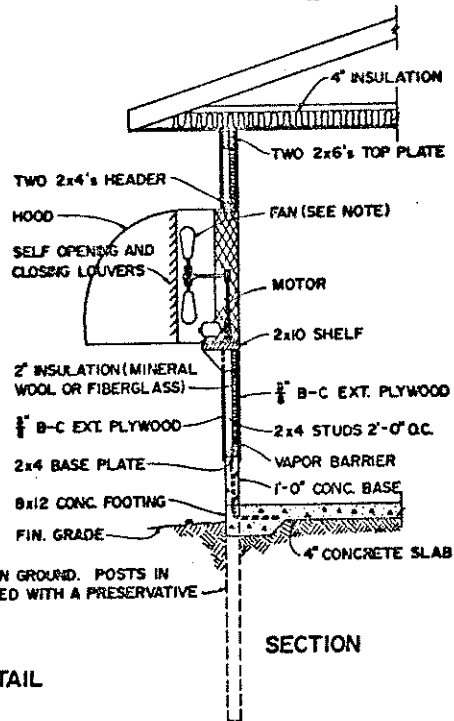
NOTE:

FANS SPACED 30'-0" O.C. AND CAPABLE OF DELIVERING 10,000 CFM EACH AT 1/2" S.P. MAX. VENTILATION RATE - 6 CFM PER HEN. 60 HENS PER FOOT OF HOUSE LENGTH.

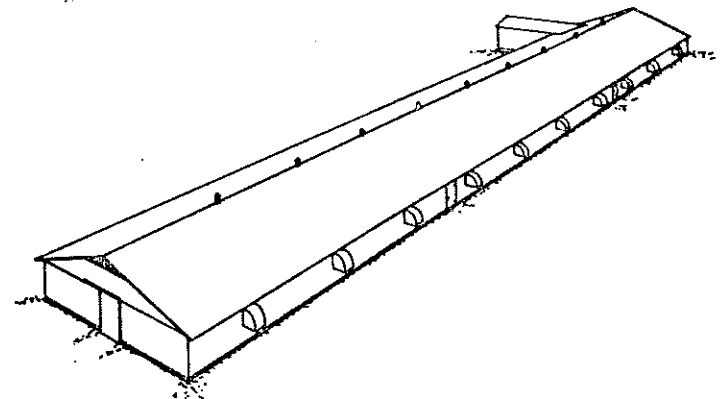


FRAMING VIEW FROM INSIDE OF HOUSE

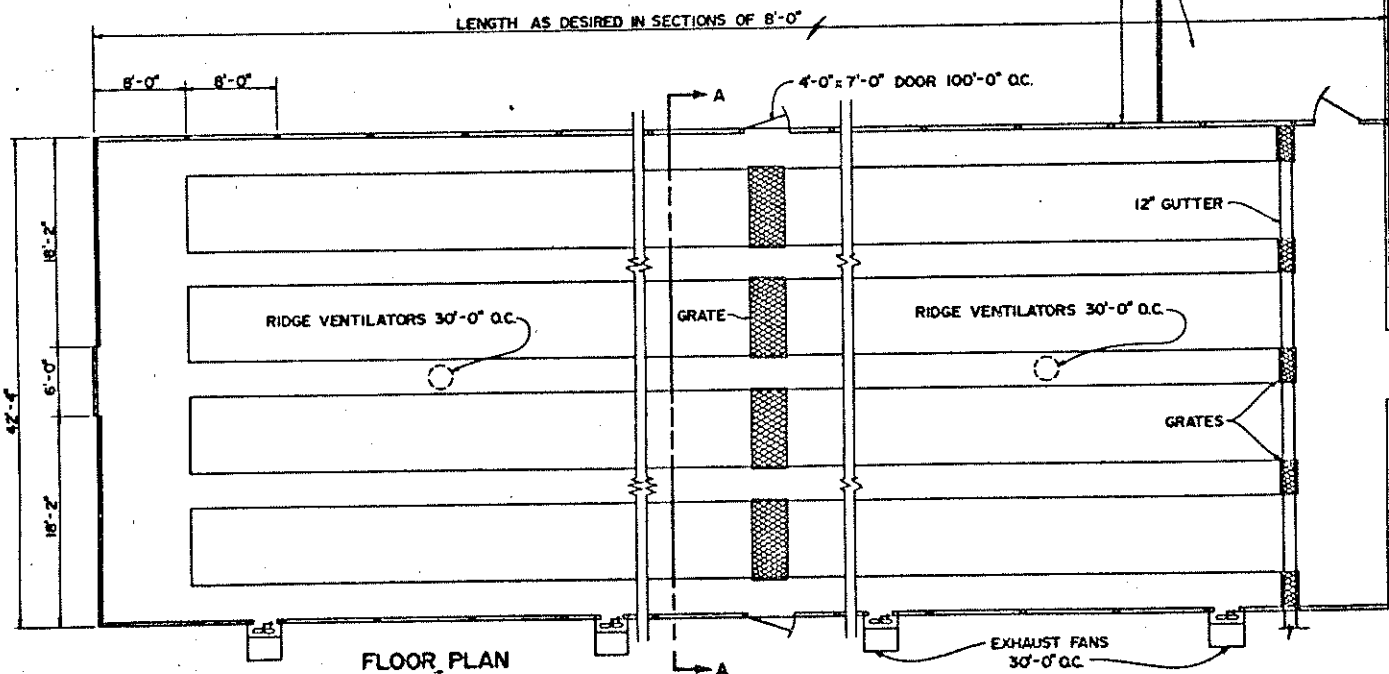
FAN DETAIL



SECTION



PERSPECTIVE



FLOOR PLAN

MENTION OF A TRADE NAME DOES NOT CONSTITUTE A GUARANTEE OR WARRANTY OF THE PRODUCT BY THE U.S. DEPARTMENT OF AGRICULTURE OR AN ENDORSEMENT BY THE DEPARTMENT OVER OTHER PRODUCTS NOT MENTIONED.

NOTE:

CONSULT LOCAL AND STATE ZONING, HEALTH AND POLLUTION CODES BEFORE STARTING CONSTRUCTION.

IF BUILDING EXCEEDS 50 FEET IN LENGTH, CONTROL JOINTS ARE TO BE PLACED EVERY 50 FEET IN CONCRETE SLAB.

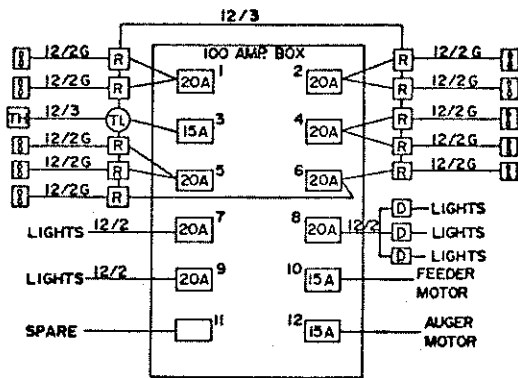
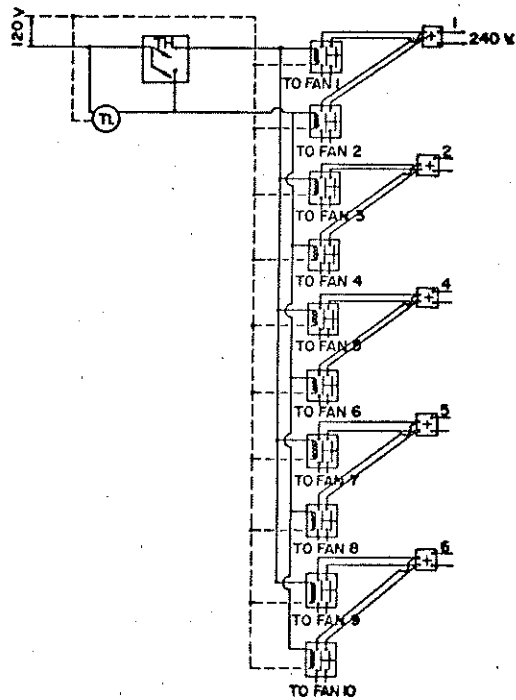
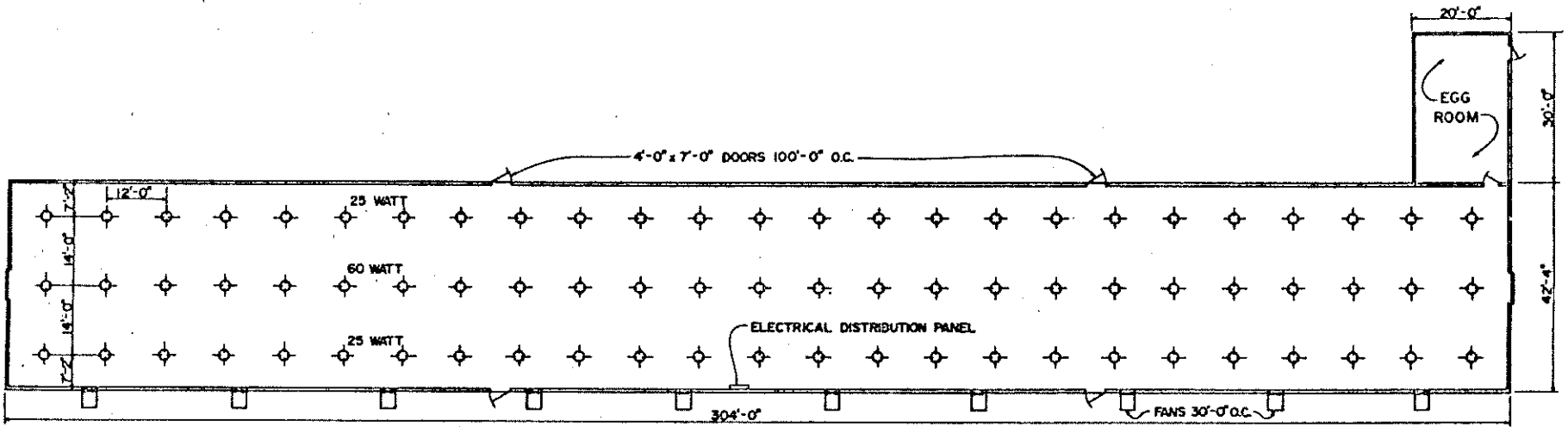
BASED ON AUBURN UNIV. PLAN 1-301

COOPERATIVE EXTENSION WORK IN AGRICULTURE AND HOME ECONOMICS

AND UNITED STATES DEPARTMENT OF AGRICULTURE COOPERATING

POULTRY HOUSE CAGED LAYERS

ALA. 72 EX. 6134 SHEET 1 OF 3



DETAIL OF ELECTRICAL DISTRIBUTION PANEL (FOR LAYING HOUSE ONLY)

240 VOLT CIRCUITS

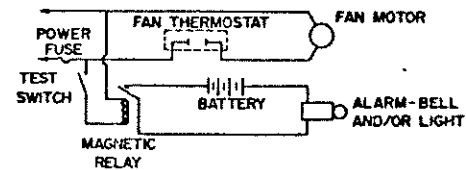
- CIR. BREAKER NO.1 - 2 FAN CIRCUITS
- CIR. BREAKER NO.2 - 2 FAN CIRCUITS
- CIR. BREAKER NO.4 - 2 FAN CIRCUITS
- CIR. BREAKER NO.5 - 2 FAN CIRCUITS
- CIR. BREAKER NO.6 - 2 FAN CIRCUITS
- CIR. BREAKER NO.10 - FEEDER MOTOR
- CIR. BREAKER NO.12 - AUGER MOTOR

120 VOLT CIRCUITS

- CIR. BREAKER NO.3 - RELAY CONTROL CIR.
- CIR. BREAKER NO.7 - LIGHTS ON ONE SIDE
- CIR. BREAKER NO.8 - CENTER LIGHTS WITH DIMMER
- CIR. BREAKER NO.9 - LIGHTS ON ONE SIDE

SYMBOLS

- TL - TIMER
- TH - THERMOSTAT
- R - RELAY
- D - DIMMER



BATTERY OPERATED RELAY CONTROLLED ALARM

ELECTRICAL DIAGRAM FOR 304'-0" HOUSE

COOPERATIVE EXTENSION WORK IN AGRICULTURE AND HOME ECONOMICS		
AND UNITED STATES DEPARTMENT OF AGRICULTURE COOPERATING		
POULTRY HOUSE CAGED LAYERS		
ALA. '72	EX. G134	SHEET 3 OF 3