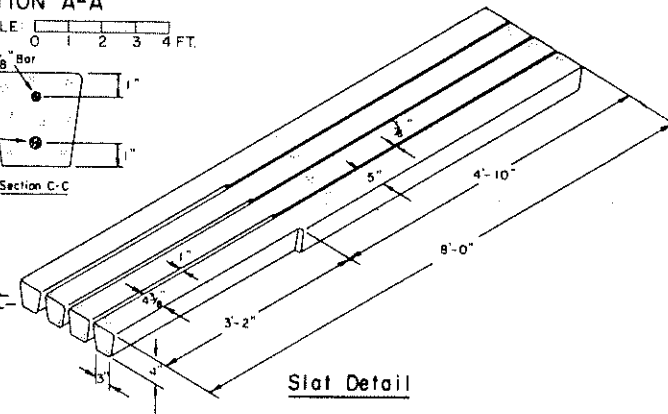
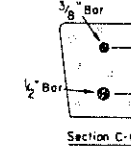


SECTION A-A

SCALE: 0 1 2 3 4 FT.



SCALE: 1/8"=1'-0" UNLESS OTHERWISE NOTED

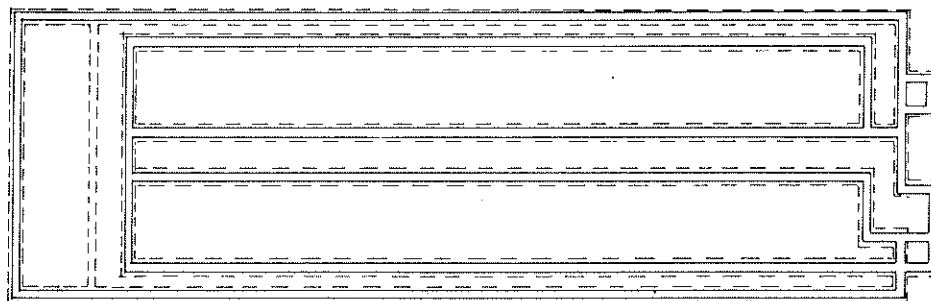
COOPERATIVE EXTENSION WORK IN
 AGRICULTURE AND HOME ECONOMICS
 DEPARTMENT OF AGRICULTURAL ENGINEERING
 UNIVERSITY OF MARYLAND
 AND
 UNITED STATES DEPARTMENT OF AGRICULTURE COOPERATING

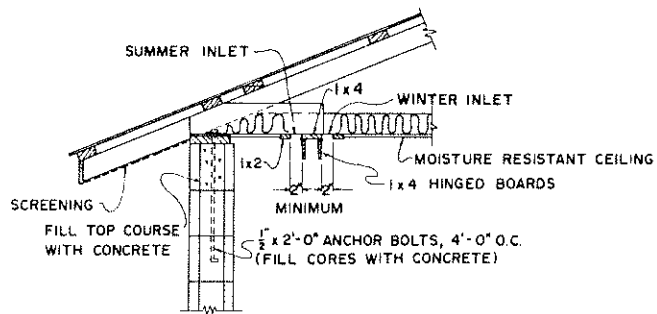
**FARROWING HOUSE
 FOR SOWS**

N.C. '71 6125 SHEET 1 OF 2

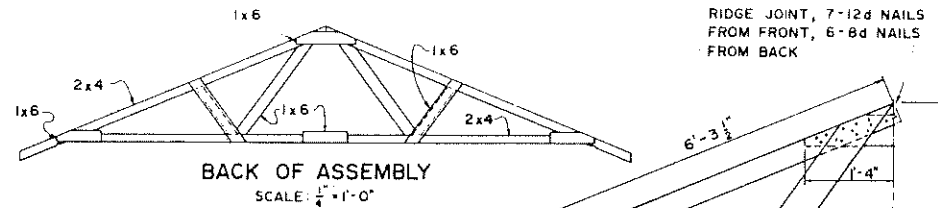
BIOLOGICAL AND AGRICULTURAL
 ENGINEERING DEPT.
 N.C. STATE UNIVERSITY AT RALEIGH
 BASED ON PLAN NO. 527

FOUNDATION PLAN

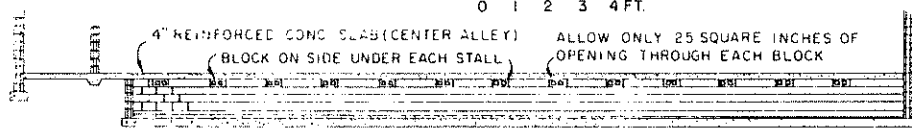
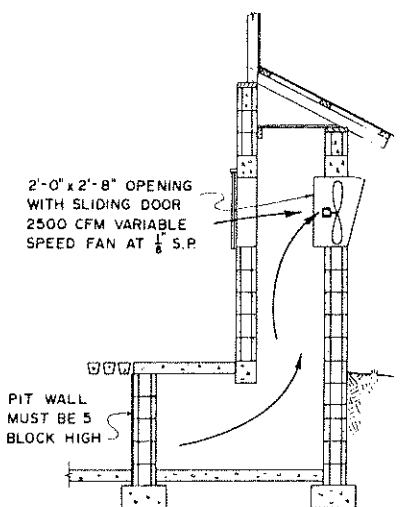
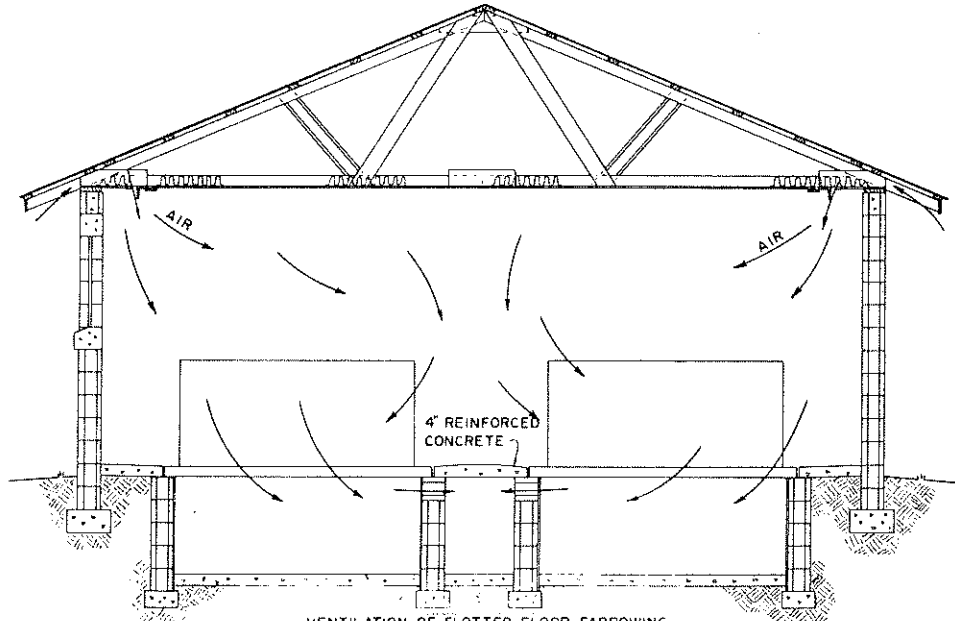
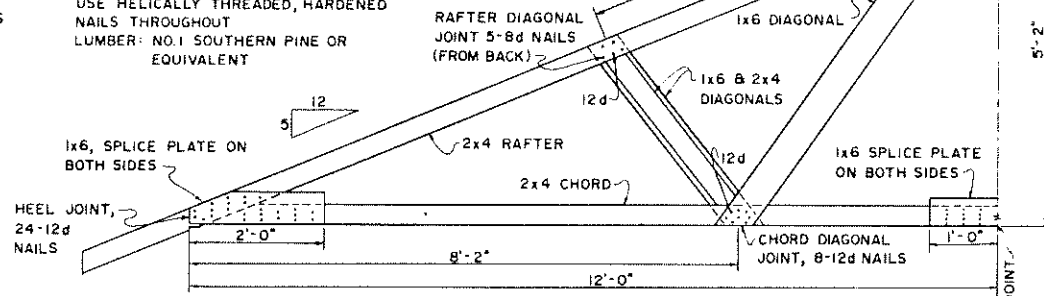




AIR INLET
SCALE: 0 1 2 FT.



USE HELICALLY THREADED, HARDENED NAILS THROUGHOUT
LUMBER: NO. 1 SOUTHERN PINE OR EQUIVALENT



COOPERATIVE EXTENSION WORK IN
AGRICULTURE AND HOME ECONOMICS
DEPARTMENT OF AGRICULTURAL ENGINEERING
UNIVERSITY OF MARYLAND
AND
UNITED STATES DEPARTMENT OF AGRICULTURE COOPERATING

**FARROWING HOUSE
FOR SOWS**

N.C. '71	6125	SHEET 2 OF 2
----------	------	--------------