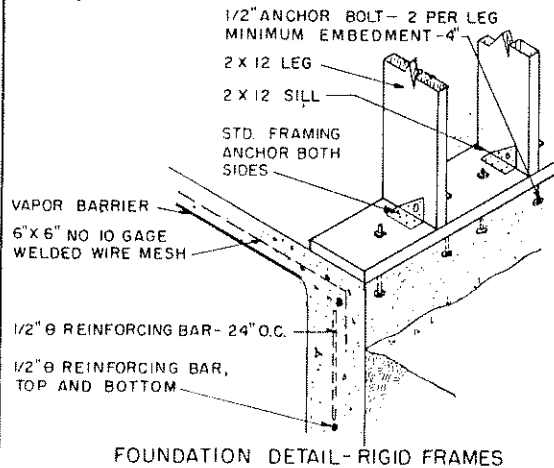
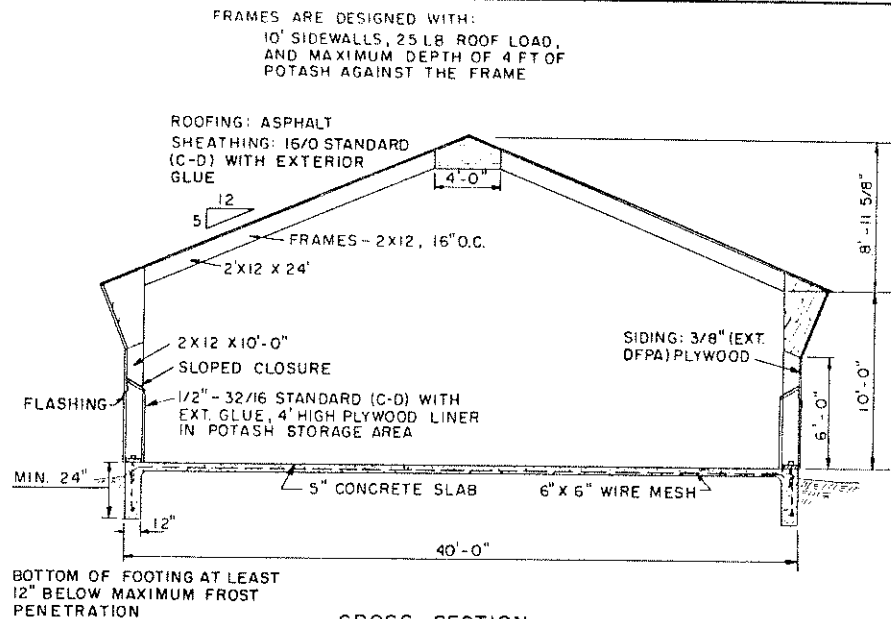


PLAN

This design is based on the use of American Plywood Association Grade-Trademarked plywood. Structural deficiencies may result with the substitution of materials. Because erection of the structure cannot be supervised no liability can be assumed by the designer or the American Plywood Association. Mention of a trade name does not constitute a guarantee or warranty of the product by the U.S. Department of Agriculture or an endorsement by the Department over other products not mentioned.



FOUNDATION DETAIL-RIGID FRAMES

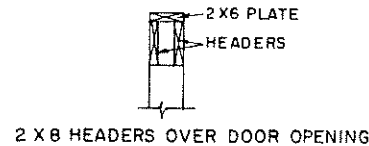


CROSS SECTION

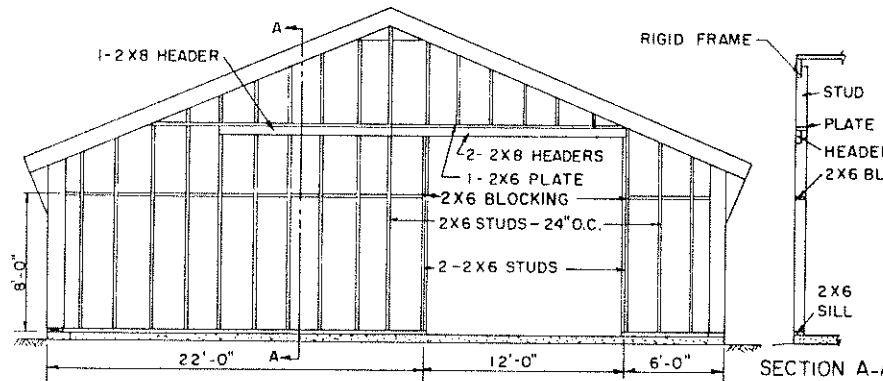
NOTES

- ALL FASTENERS SHALL BE CORROSION RESISTANT OR STAINLESS STEEL.
- LUMBER: CONSTRUCTION GRADE DOUGLAS FIR, NO. 2 SOUTHERN YELLOW PINE OR EQUIVALENT GRADES WITH $F_D = 1500$ PSI

- PLYWOOD: ALL PLYWOOD IS DFPA GRADE TRADEMARKED.
- GUSSETS: C-C EXTERIOR
- ROOF SHEATHING B LINER: STANDARD (C-D) WITH EXTERIOR GLUE
- SIDING: ANY GRADE OF EXTERIOR (EXT-DFPA)



END FRAMING



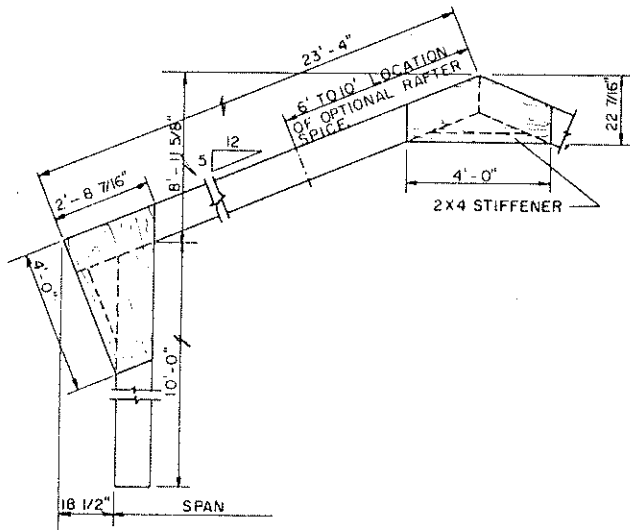
SECTION A-A

AMERICAN PLYWOOD ASSOC.
FORM NO. 70-145

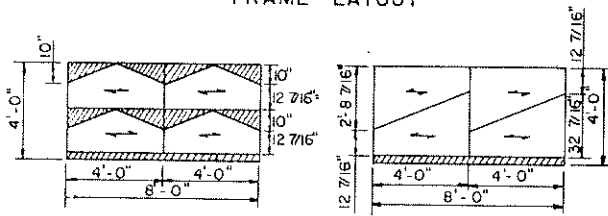
COOPERATIVE EXTENSION WORK IN
AGRICULTURE AND HOME ECONOMICS
DEPARTMENT OF AGRICULTURAL ENGINEERING
UNIVERSITY OF MARYLAND
AND
UNITED STATES DEPARTMENT OF AGRICULTURE COOPERATING

**FERTILIZER STORAGE
40' RIGID FRAME**

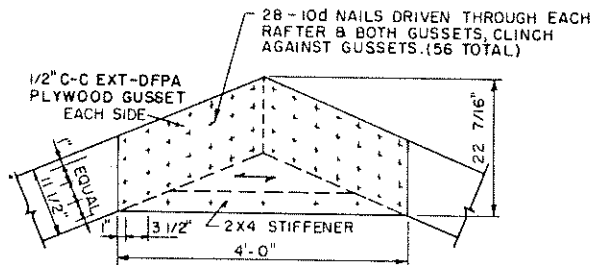
APA	'71	6117	SHEET 1 OF 2
-----	-----	------	--------------



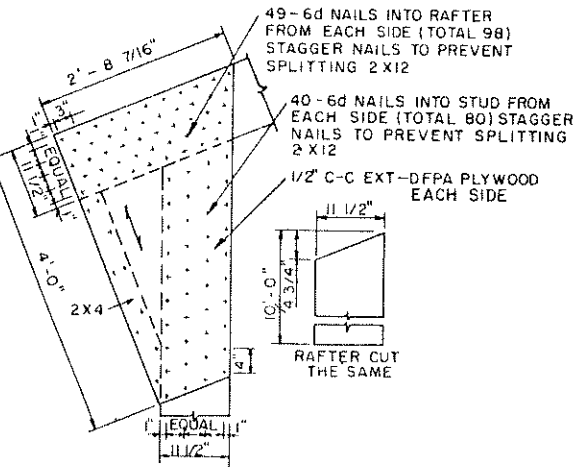
FRAME LAYOUT



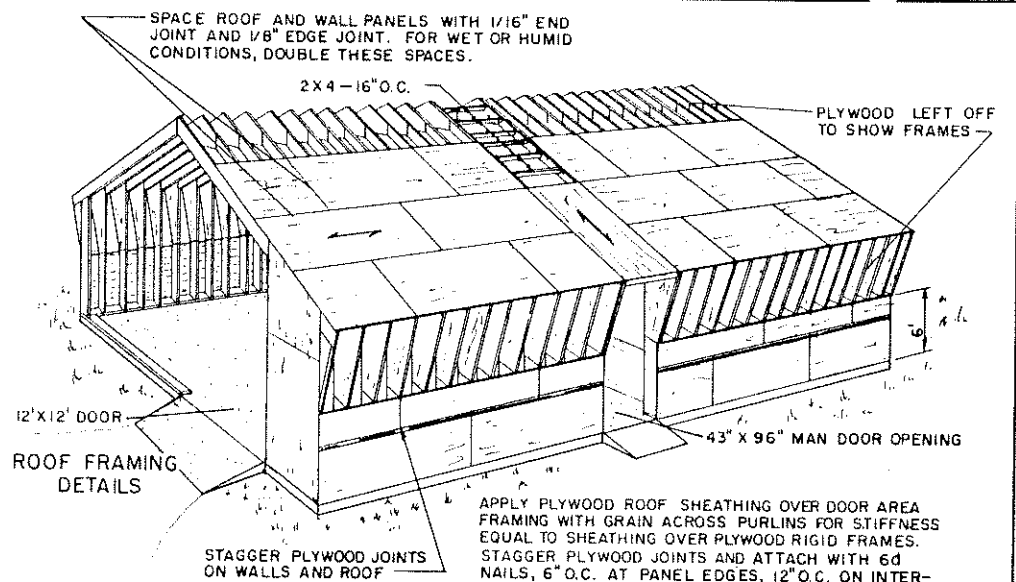
1/2" C-C EXTERIOR PLYWOOD
PLYWOOD CUTTING DIAGRAM



CROWN GUSSET DETAILS

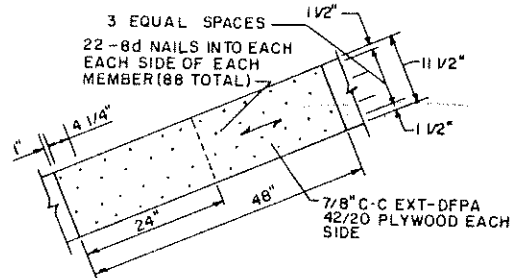


HAUNCH GUSSET DETAILS

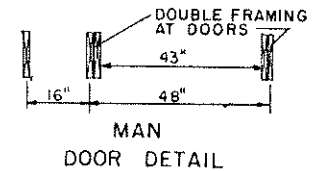


ROOF FRAMING
DETAILS

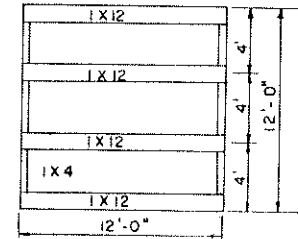
APPLY PLYWOOD ROOF SHEATHING OVER DOOR AREA FRAMING WITH GRAIN ACROSS PURLINS FOR STIFFNESS EQUAL TO SHEATHING OVER PLYWOOD RIGID FRAMES. STAGGER PLYWOOD JOINTS AND ATTACH WITH 6d NAILS, 6" O.C. AT PANEL EDGES, 12" O.C. ON INTERMEDIATE NAILERS.



OPTIONAL SPICE OR RAFTER



MAN
DOOR DETAIL



FRAMING FOR 12' X 12' DOOR

COOPERATIVE EXTENSION WORK IN AGRICULTURE AND HOME ECONOMICS DEPARTMENT OF AGRICULTURAL ENGINEERING UNIVERSITY OF MARYLAND AND UNITED STATES DEPARTMENT OF AGRICULTURE COOPERATING			
FERTILIZER STORAGE 40' RIGID FRAME			
APA	'71	6117	SHEET 2 OF 2