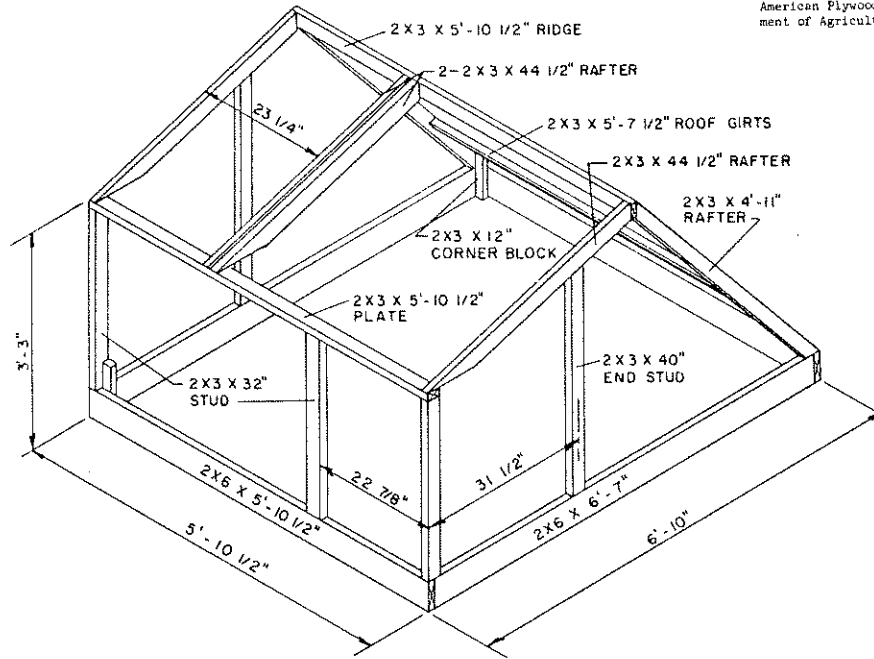
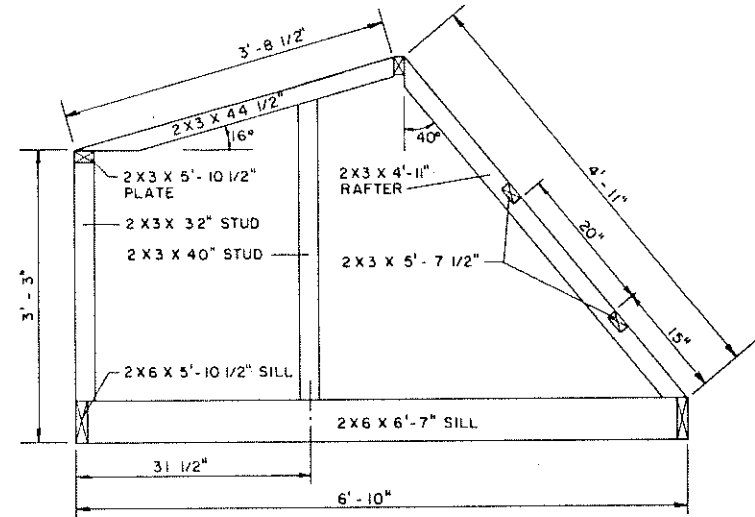
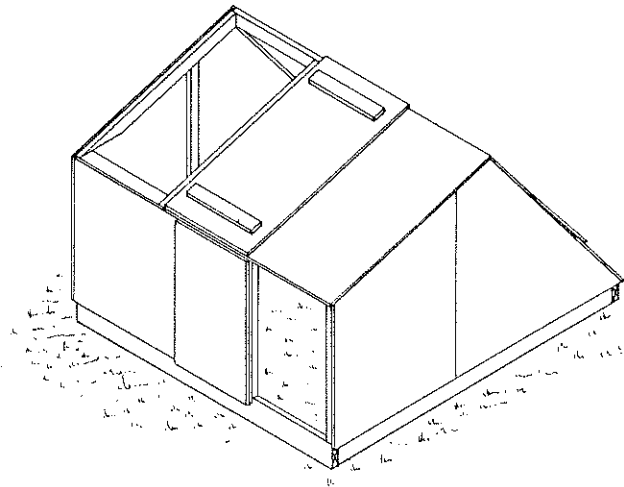


This design is based on the use of American Plywood Association Grade-Trademarked plywood. Structural deficiencies may result with the substitution of materials. Because erection of the structure cannot be supervised no liability can be assumed by the designer or the American Plywood Association. Mention of a trade name does not constitute a guarantee or warranty of the product by the U.S. Department of Agriculture or an endorsement by the Department over other products not mentioned.



ISOMETRIC OF FRAMING



SECTION

MATERIALS LIST

PLYWOOD: ALL EXTERIOR-TYPE (EXT.-DFPA) C-C GRADE

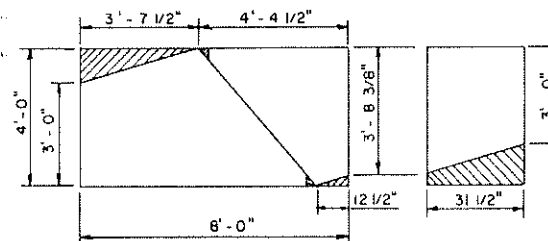
- 1- 4' x 8' - 3/8" CAN BE CUT FROM
- 3- 4' x 6' - 3/8" 3 1/2 PIECES 4' x 6'
- 1- 16" x 6' - 3/8"

HARDWARE

- 1 PR. 4" T-HINGE & SCREWS
- 1 PR. 3" STRAP HINGE
- 2- 3" HOOKS & EYES
- 1 - TURN BUTTON
- 16d GALV., 6d GALV. & 2" ROOFING NAILS
- 2- 1x4 x 20 3/4" DOOR CLEAT
- 4- 2x3 x 12" CORNER BLOCK
- 2- PIECES WOOD SHINGLE- 2" WIDE

LUMBER

PIECES	SIZE	LENGTH	ITEM	END CUTS
2	2x6	6'-7"	SILL	90°-90°
2	2x6	5'-10 1/2"	SILL	90°-90°
3	2x3	32"	STUDS	90°-90°
2	2x3	5'-7 1/2"	ROOF GIRTS	90°-90°
2	2x3	5'-10 1/2"	RIDGE & PLATE	90°-90°
2	2x3	40"	END STUD	90°-16°
2	2x3	4'-11"	RAFTERS	40°-50°
4	2x3	3'-8 1/2"	RAFTERS	16°-74°



PLYWOOD CUTTING DIAGRAM

COOPERATIVE EXTENSION WORK IN
AGRICULTURE AND HOME ECONOMICS
DEPARTMENT OF AGRICULTURAL ENGINEERING
UNIVERSITY OF MARYLAND
AND
UNITED STATES DEPARTMENT OF AGRICULTURE COOPERATING

HOG HOUSE
MODIFIED "A" TYPE

APA '71 6116 SHEET 1 OF 1