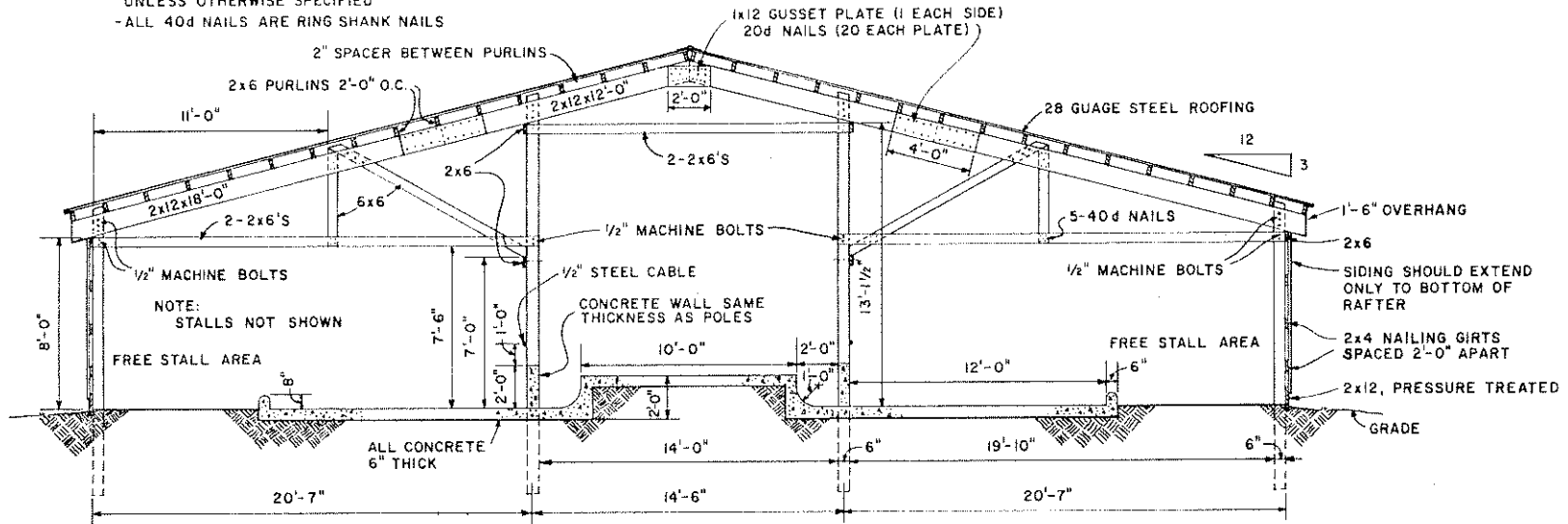
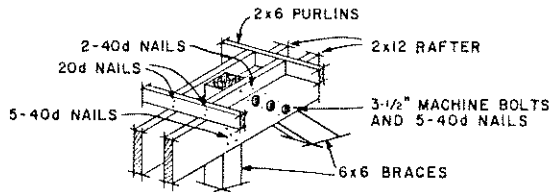


NOTE - USE 3-40d NAILS FOR EACH 2x6 CONNECTION
AND 2-40d NAILS FOR EACH 2x4 CONNECTION
UNLESS OTHERWISE SPECIFIED
- ALL 40d NAILS ARE RING SHANK NAILS

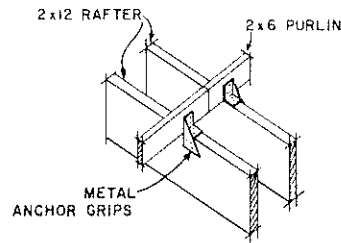


CROSS SECTION

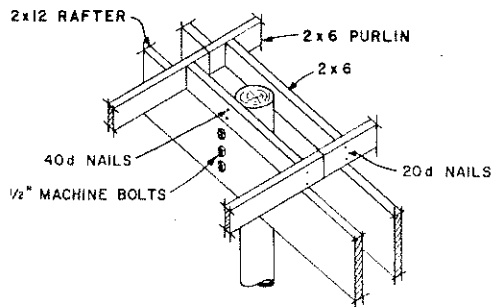
SCALE: 0 2 4 6 FT.



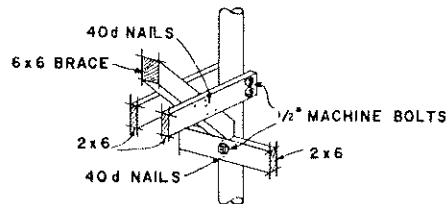
PURLIN TIE AT BRACE



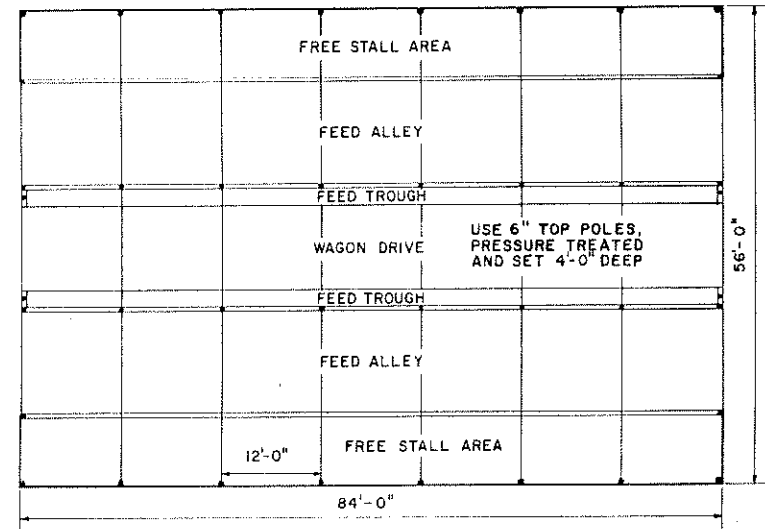
PURLIN TIE AT RAFTER



PURLIN TIE AT POLES



BRACE TIE AT INNER POLE

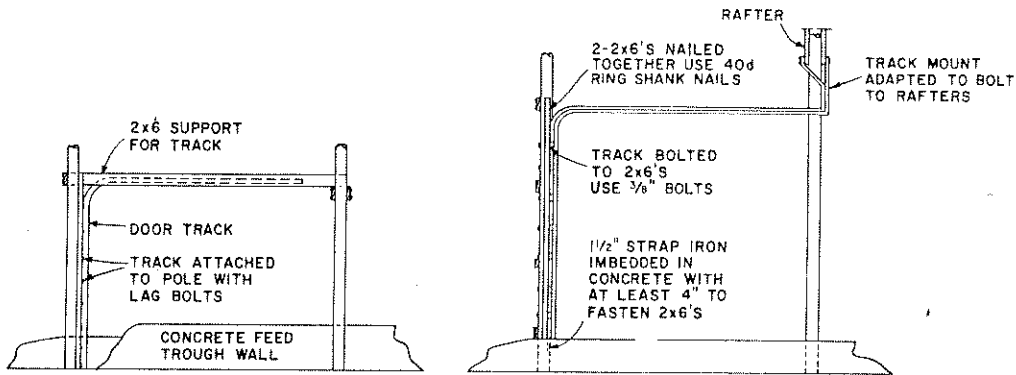


FLOOR PLAN

COOPERATIVE EXTENSION WORK IN
AGRICULTURE AND HOME ECONOMICS
DEPARTMENT OF AGRICULTURAL ENGINEERING
UNIVERSITY OF MARYLAND
AND
UNITED STATES DEPARTMENT OF AGRICULTURE COOPERATING

DAIRY BARN
POLE FRAME CONSTRUCTION

WYO '71 6112 SHEET 1 OF 2

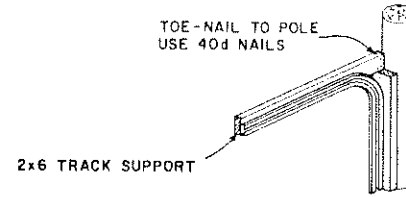


8'-0" DOORS, SIDE VIEW

SCALE: 0 2 4 6 FT.

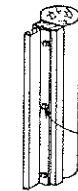
10'-0" DOOR, SIDE VIEW

SCALE: 0 2 4 6 FT.



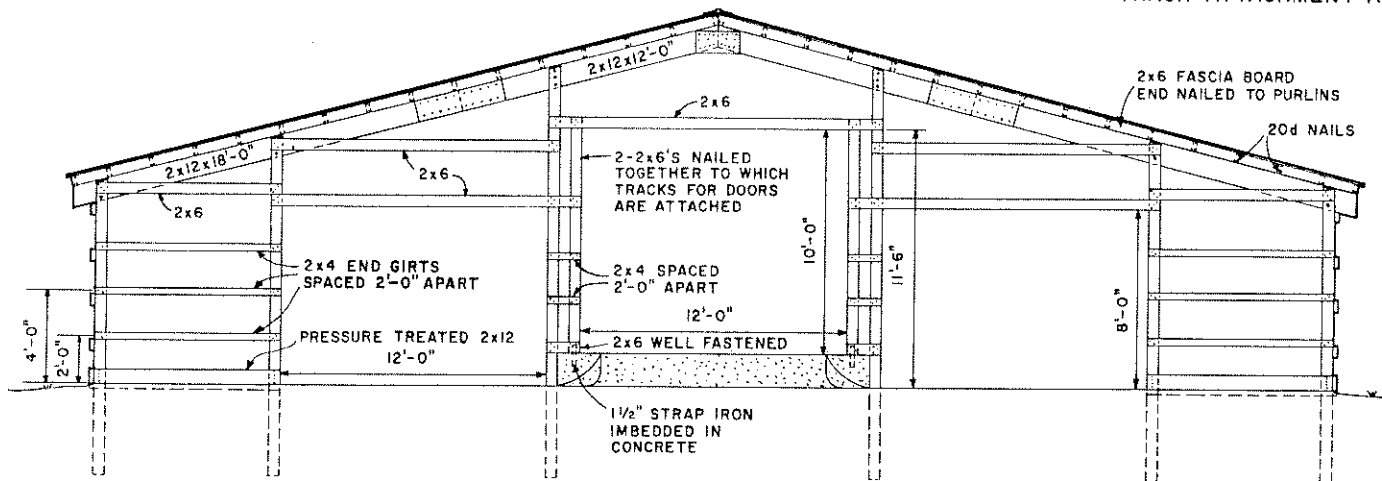
TRACK ATTACHMENT AT TOP

NOTE: IF TREATED 6x6 IS USED, TRACK SUPPORT SHOULD BE ATTACHED DIRECTLY TO POST.



TRACK ATTACHMENT AT POLES

NOTE: IF AVAILABLE, PRESSURE TREATED 6x6'S MAY BE USED FOR DOOR FRAME



FRAMING FOR DOORS, FRONT VIEW

SCALE: 0 2 4 6 FT.

NOTE: USE 3 40d RING SHANK NAILS FOR EACH 2x6 GIRT CONNECTION
USE 2 NAILS FOR 2x4 GIRTS

COOPERATIVE EXTENSION WORK IN AGRICULTURE AND HOME ECONOMICS DEPARTMENT OF AGRICULTURAL ENGINEERING UNIVERSITY OF MARYLAND AND UNITED STATES DEPARTMENT OF AGRICULTURE COOPERATING		
DAIRY BARN POLE FRAME CONSTRUCTION		
WYO.	'71	6112
		SHEET 2 OF 2