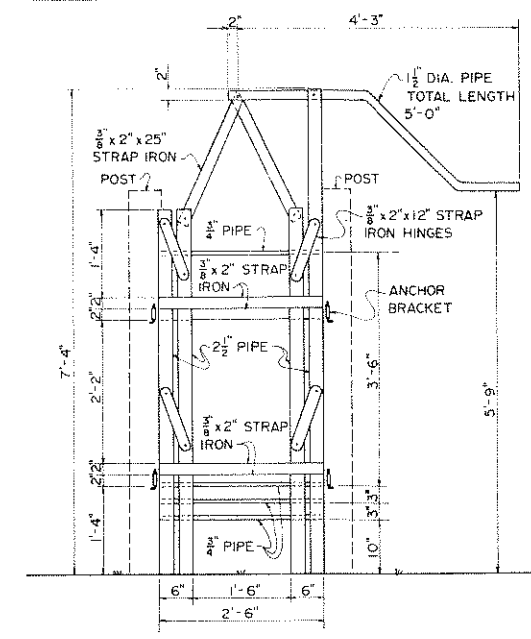
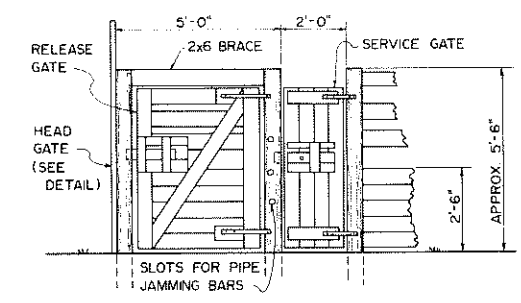


PLAN VIEW OF WORKING CHUTE
NO SCALE

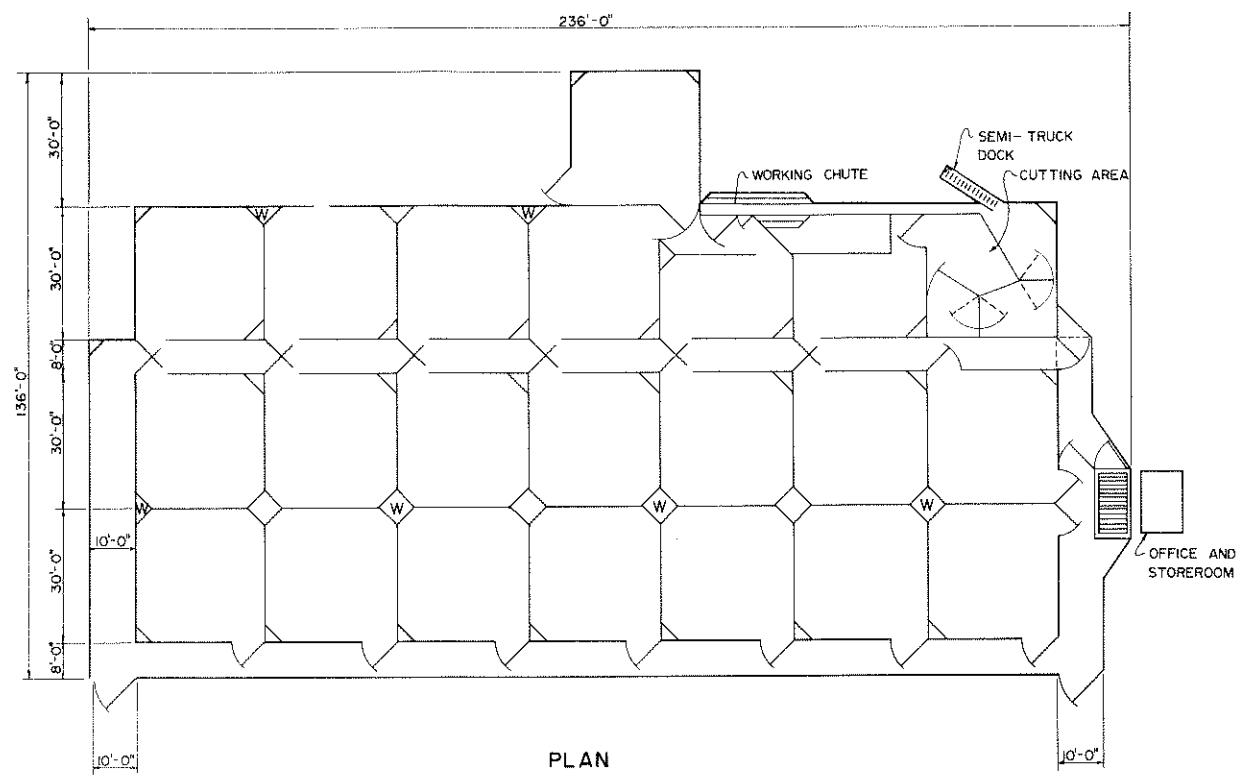


FRONT VIEW OF HEADGATE
SCALE: 0 1 2 FT.

NOTE: CONSTRUCTION MATERIALS ARE PIPE AND STRAP METAL



SIDE ELEVATION
SCALE: 0 1 2 3 4 FT.



PLAN

NOTE: ALL GATES 8'-0" UNLESS OTHERWISE STATED
ALL HOLDING PENS 30'-0" x 30'-0"

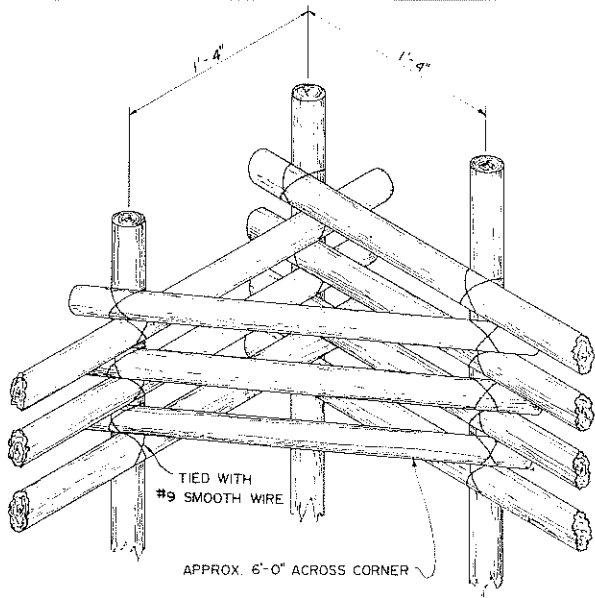
BASED ON NEW MEXICO STATE UNIV. PLAN 842

DESIGNED BY: C. M. HOHN

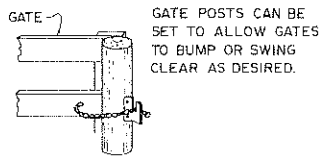
COOPERATIVE EXTENSION WORK IN AGRICULTURE AND HOME ECONOMICS
DEPARTMENT OF AGRICULTURAL ENGINEERING
UNIVERSITY OF MARYLAND
AND
UNITED STATES DEPARTMENT OF AGRICULTURE COOPERATING

CORRAL LAYOUT AND EQUIPMENT

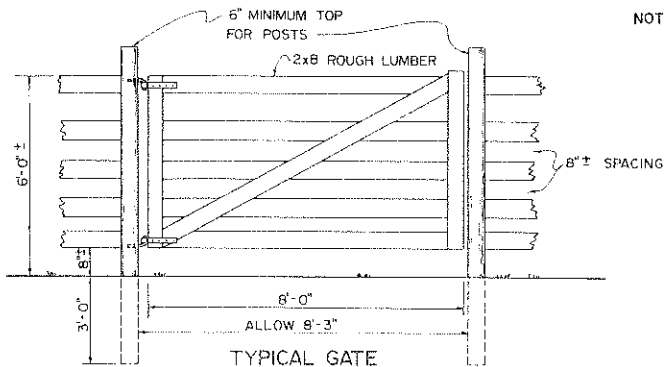
N. MEX.	'70	6106	SHEET 1 OF 3
---------	-----	------	--------------



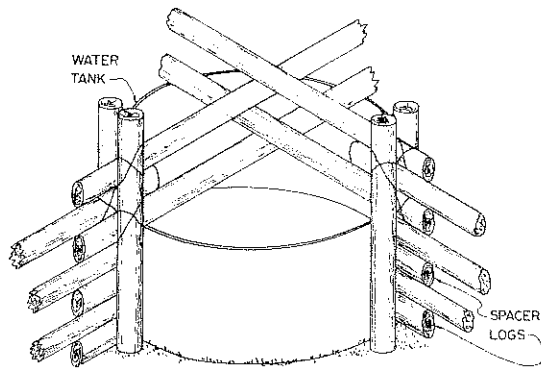
TYPICAL CORNER ARRANGEMENT
NO SCALE



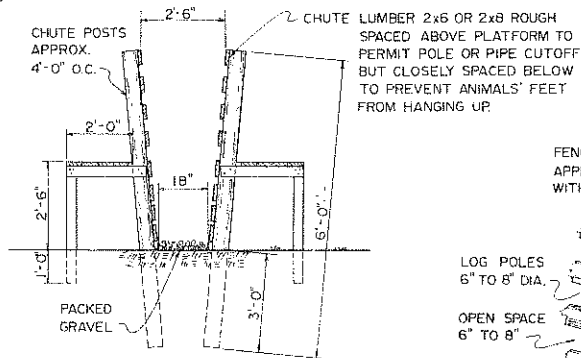
GATE LATCH DETAIL
NO SCALE



TYPICAL GATE
NO SCALE

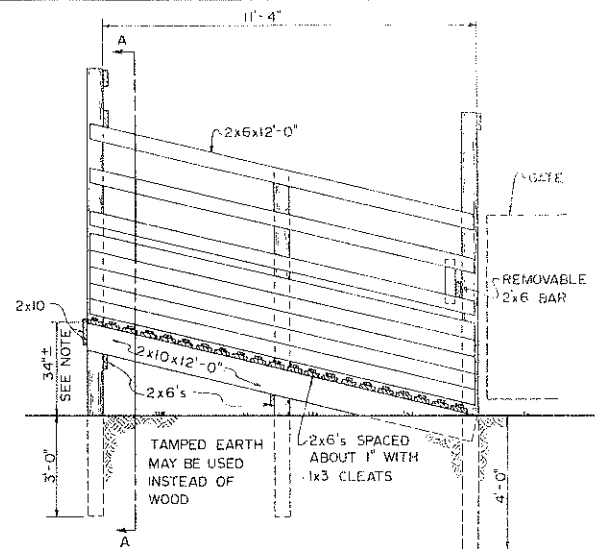


QUARTER VIEW OF FENCE
DETAIL AT WATER TANK
NO SCALE

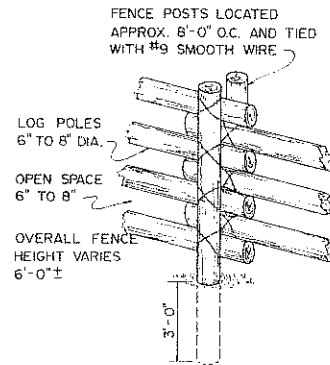


SECTION THROUGH WORKING CHUTE
SCALE: 0 1 2 3 4 FT.

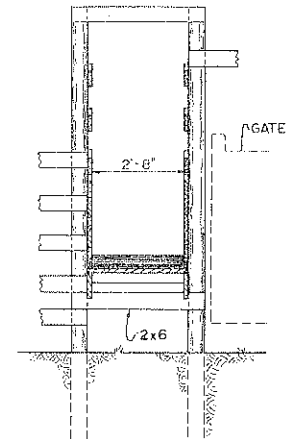
NOTE: ALL POSTS 6" TO 8" TOP DIAMETER FOR LONGEST SERVICE ALL WOOD POSTS AND WOOD IN CONTACT WITH GROUND SHOULD BE PRESSURE-TREATED WITH A PRESERVATIVE.



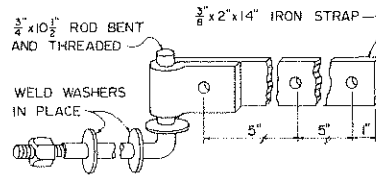
LOADING RAMP
LONGITUDINAL SECTION
SCALE: 0 1 2 3 4 FT.



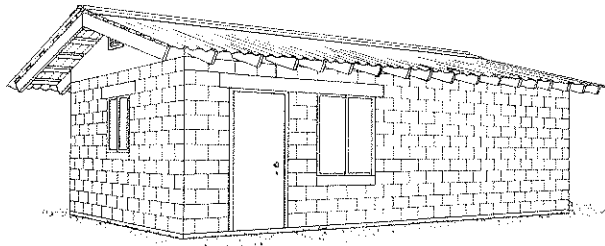
PERSPECTIVE OF TYPICAL FENCE POST
NO SCALE



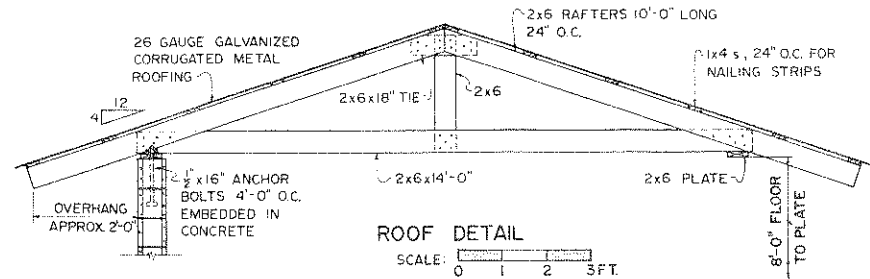
LOADING RAMP
CROSS SECTION AT A-A
SCALE: 0 1 2 3 4 FT.



GATE HINGE DETAIL

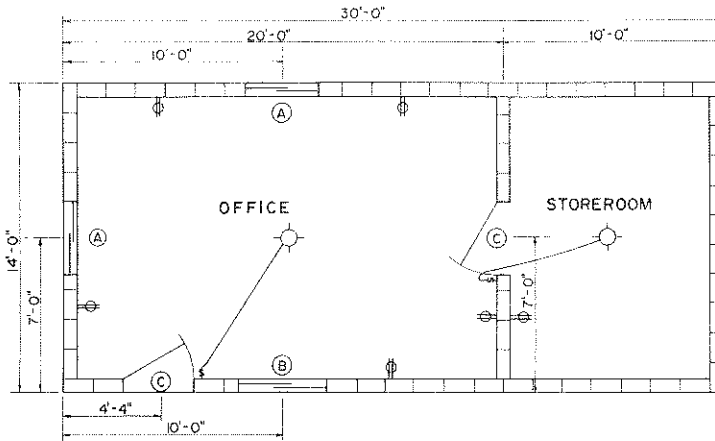


PERSPECTIVE



ROOF DETAIL

SCALE: 0 1 2 3 FT.

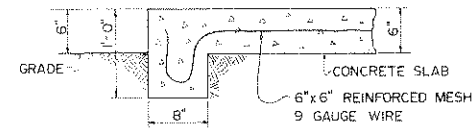


FLOOR PLAN

SCALE: 0 2 4 6 FT.

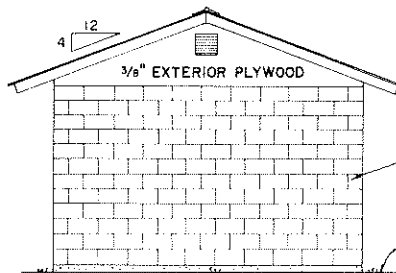
SYMBOLS:

- LIGHT
- ⊕ ELECTRIC OUTLET
- Ⓐ 3'-4" (WIDE) x 3'-0" SLIDING PANEL METAL WINDOW
- Ⓑ 4'-0" (WIDE) x 4'-2" SLIDING PANEL METAL WINDOW
- Ⓒ 3'-0" x 6'-8" WOOD DOOR



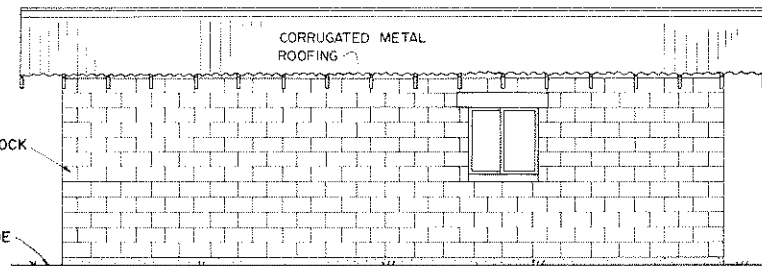
FOUNDATION DETAIL

SCALE: 0 1 FT.



RIGHT ELEVATION

SCALE: 0 2 4 6 FT.



REAR ELEVATION

SCALE: 0 2 4 6 FT.

COOPERATIVE EXTENSION WORK IN
 AGRICULTURE AND HOME ECONOMICS
 DEPARTMENT OF AGRICULTURAL ENGINEERING
 UNIVERSITY OF MARYLAND
 AND
 UNITED STATES DEPARTMENT OF AGRICULTURE COOPERATING

CORRAL LAYOUT
 AND EQUIPMENT

N. MEX. '70 6106 SHEET 3 OF 3