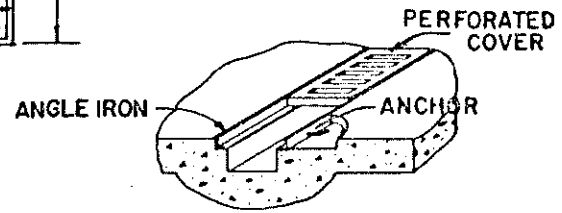


**FOUNDATION & FLOOR LAYOUT**



**TROUGH DRAIN DETAIL**

IN COOPERATION:  
TRANSPORTATION FACILITIES RESEARCH DIVISION  
AGRICULTURAL ENGINEERING RESEARCH DIVISION

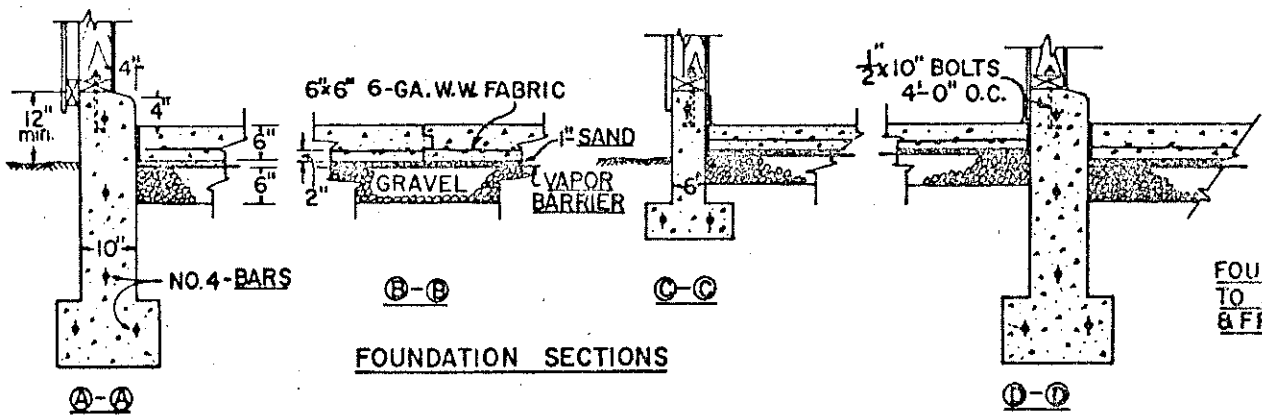
**NOTE**  
FOUNDATION DEPTHS  
TO SUIT LOCAL SOIL  
& FROST CONDITIONS

COOPERATIVE EXTENSION WORK IN  
AGRICULTURE AND HOME ECONOMICS

UNITED STATES DEPARTMENT OF AGRICULTURE COOPERATING

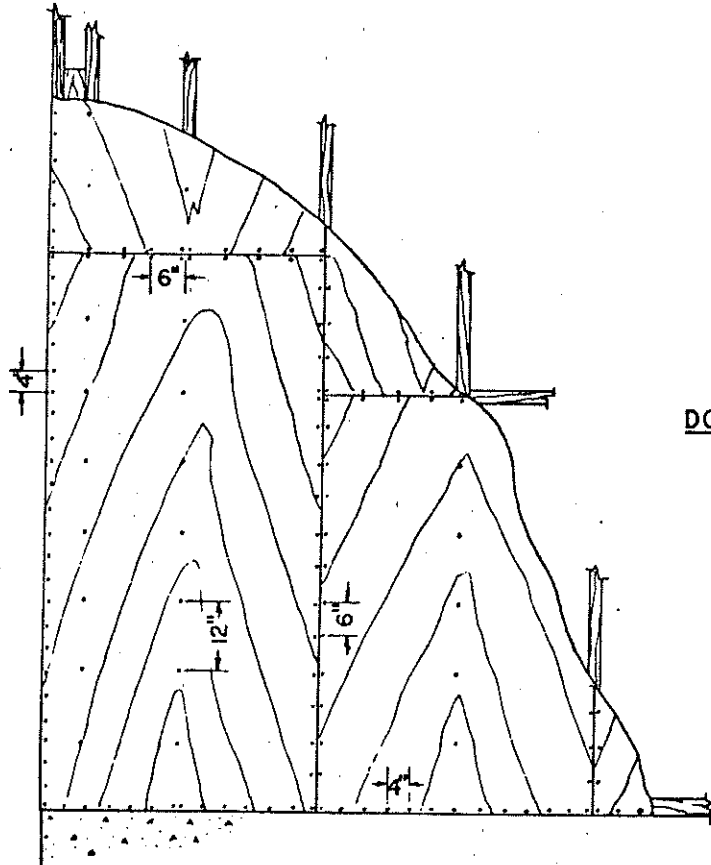
**EGG PROCESSING PLANT**

USDA-TFRD 70 6095 SHEET 1 OF 8



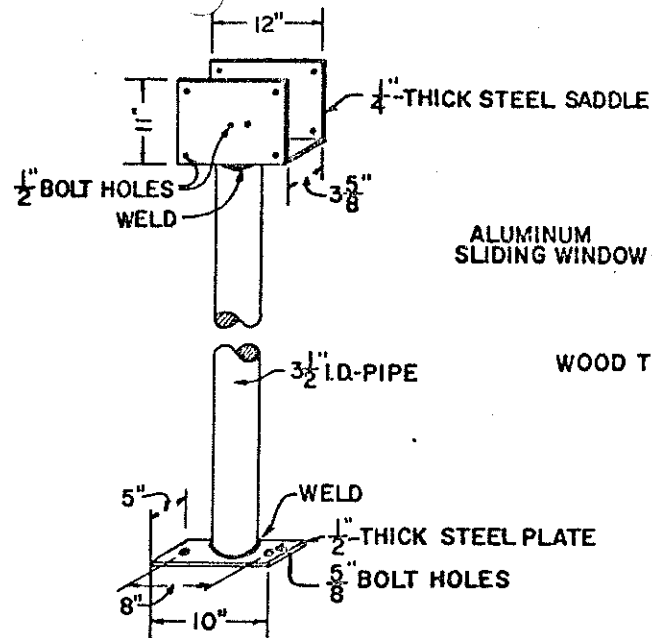
**FOUNDATION SECTIONS**

**NOTE:** THE OPERATOR PLANNING TO BUILD THIS STRUCTURE SHOULD OBTAIN THE SERVICES OF A PROFESSIONAL ENGINEER TO DESIGN THE PLANT TO MEET THE OPERATOR'S PARTICULAR NEEDS AND TO MEET LOCAL CONDITIONS, AS WELL AS TO SUPERVISE CONSTRUCTION.

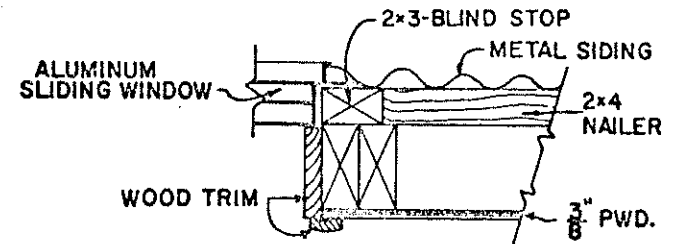


PLYWOOD NAILING SCHEDULE

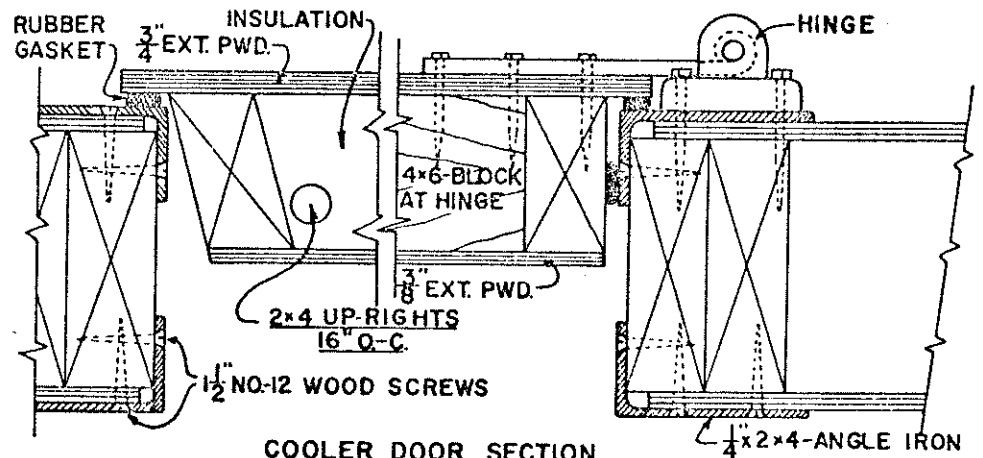
USE 8d COM.-NAILS OR EQUIVALENT  
MECHANICALLY DRIVEN FASTENERS



DOCK ROOF SUPPORTS



OFFICE WINDOW DETAIL



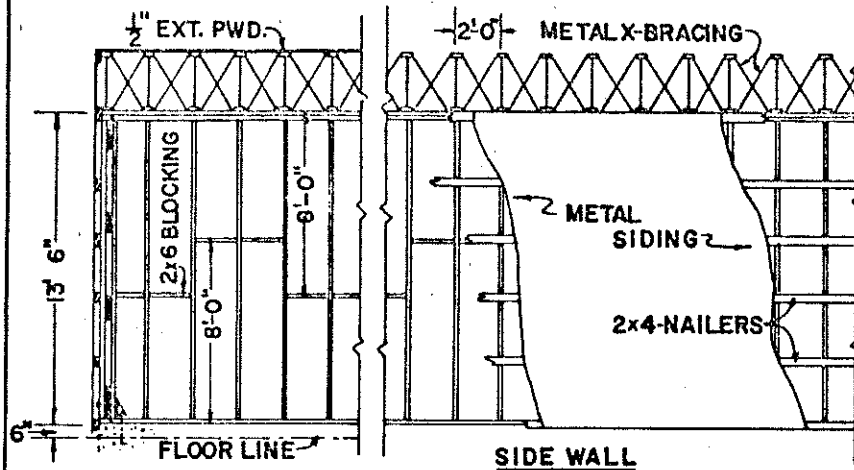
COOLER DOOR SECTION

COOPERATIVE EXTENSION WORK IN  
AGRICULTURE AND HOME ECONOMICS

AND  
UNITED STATES DEPARTMENT OF AGRICULTURE COOPERATING

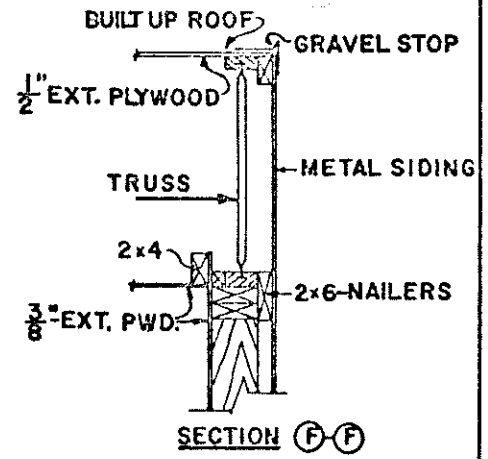
EGG PROCESSING PLANT

USDA-TRFD 70 6055 SHEET 2 OF 6

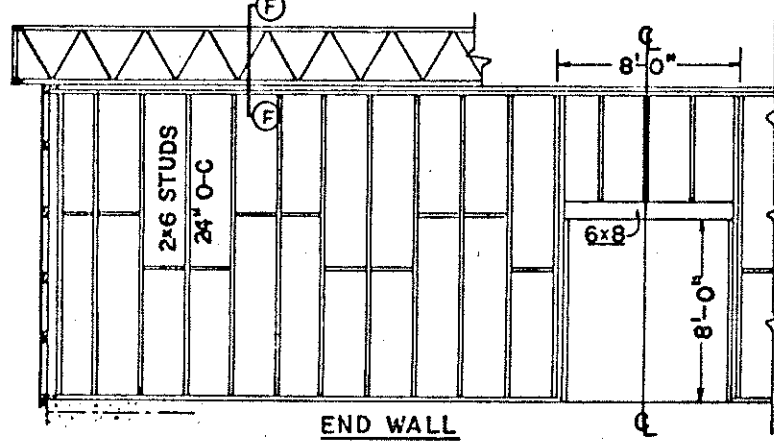


SIDE WALL

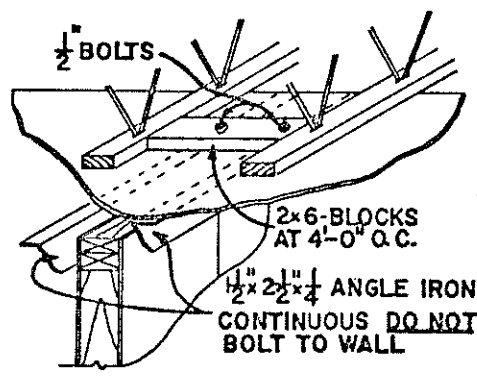
WALL ANCHOR BKT. AT CORNERS & DOOR OPENINGS



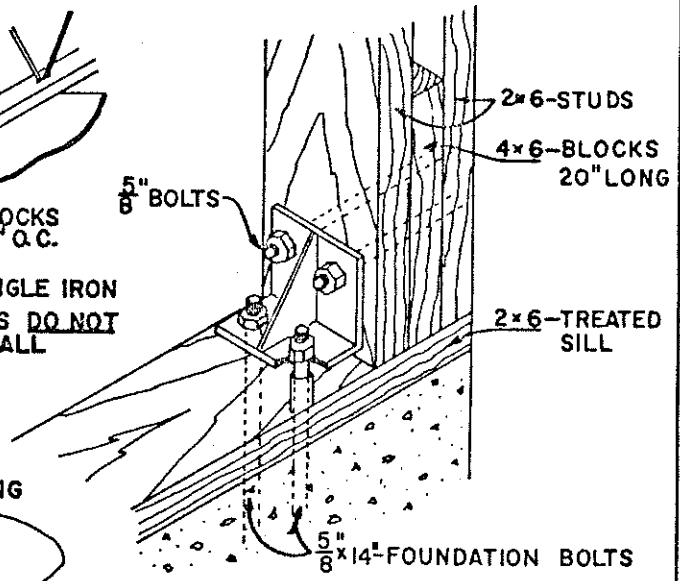
SECTION F-F



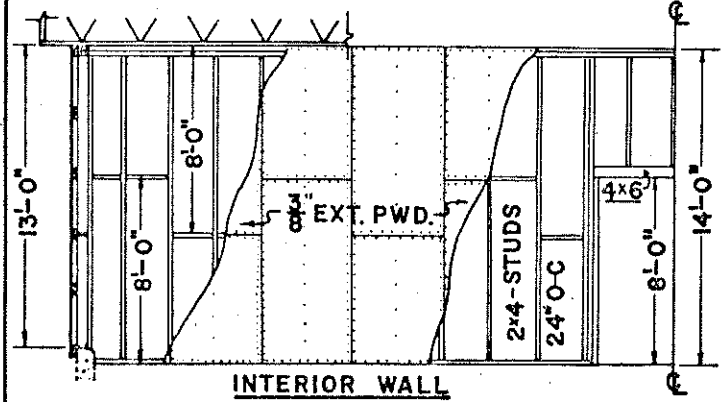
END WALL



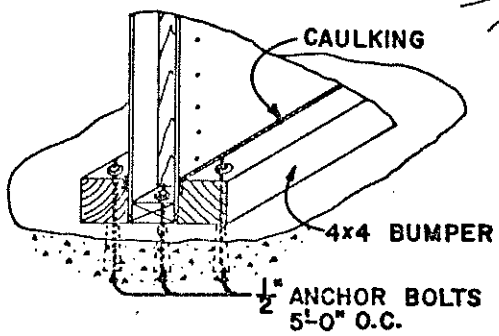
AT CLG.



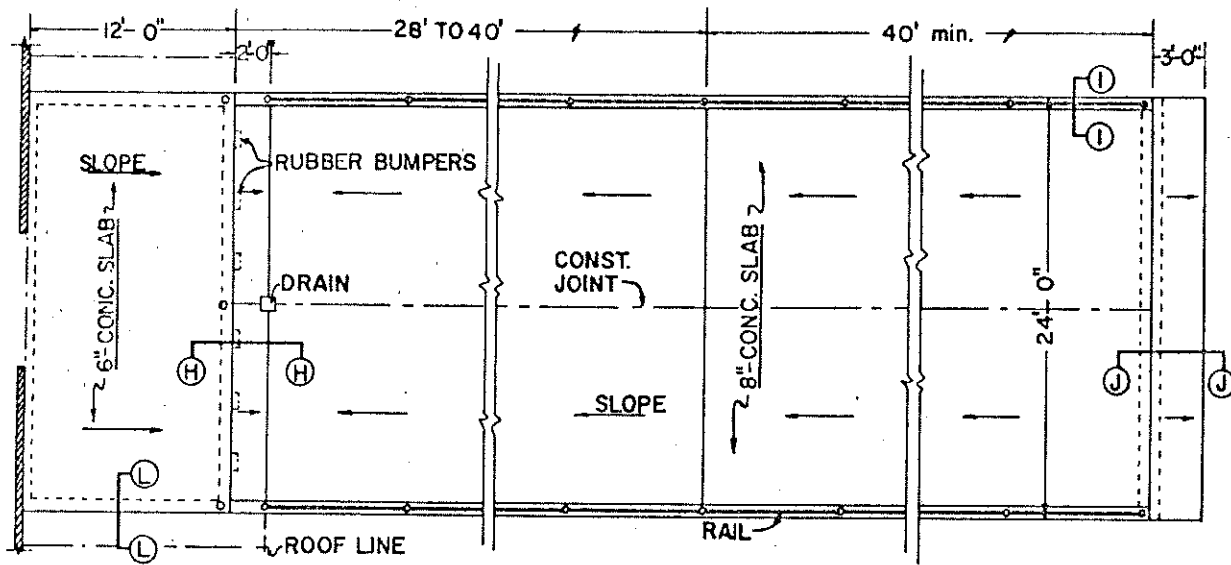
END WALL ANCHOR BRACKET



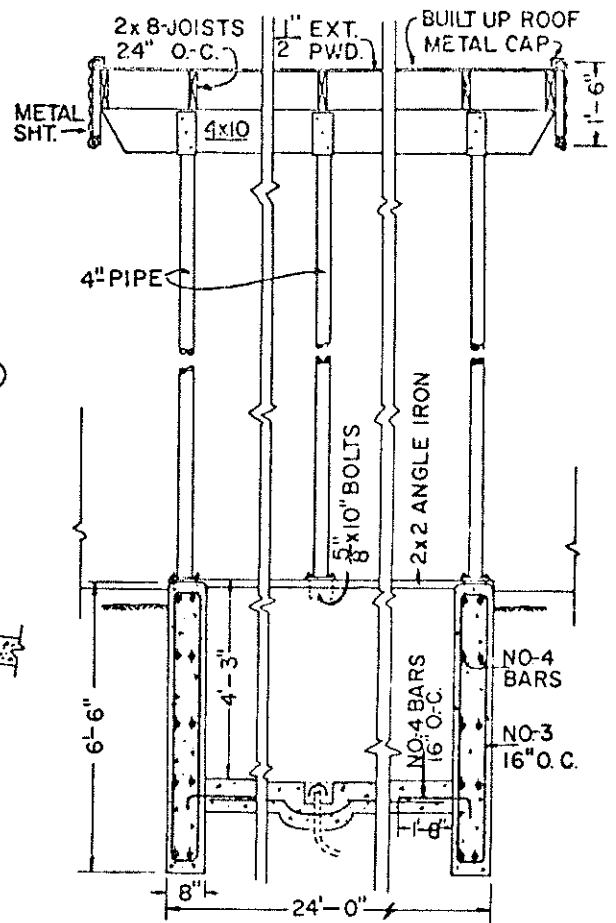
INTERIOR WALL



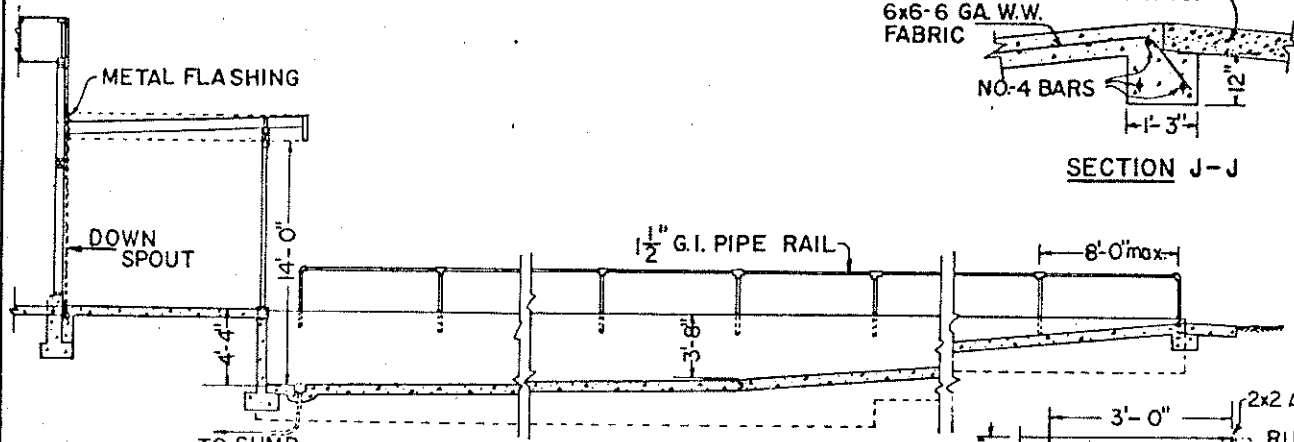
AT FLOOR  
INTERIOR WALL DETAIL



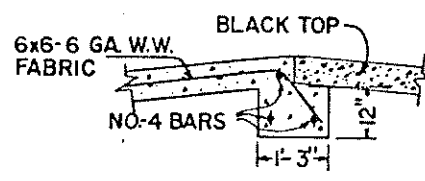
PLAN



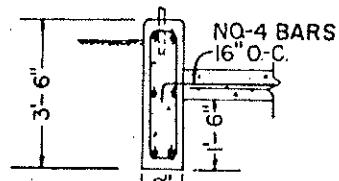
CROSS SECTION



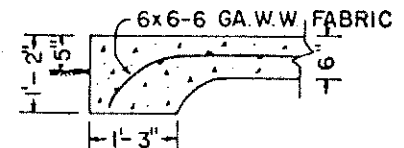
LONGITUDINAL SECTION



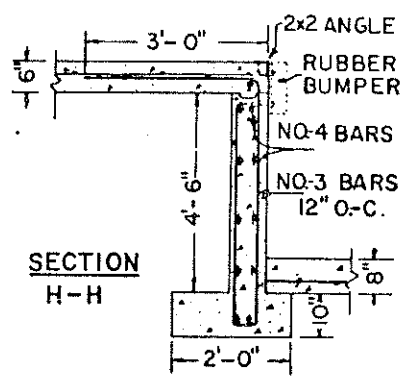
SECTION J-J



SECTION I-I



SECTION L-L



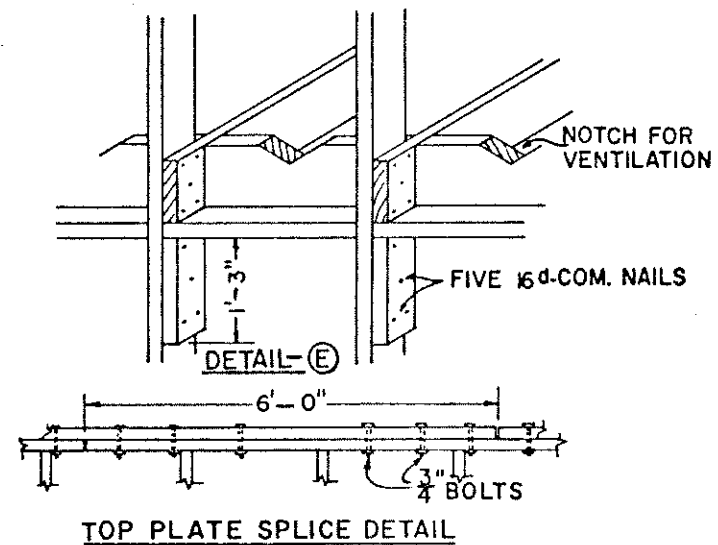
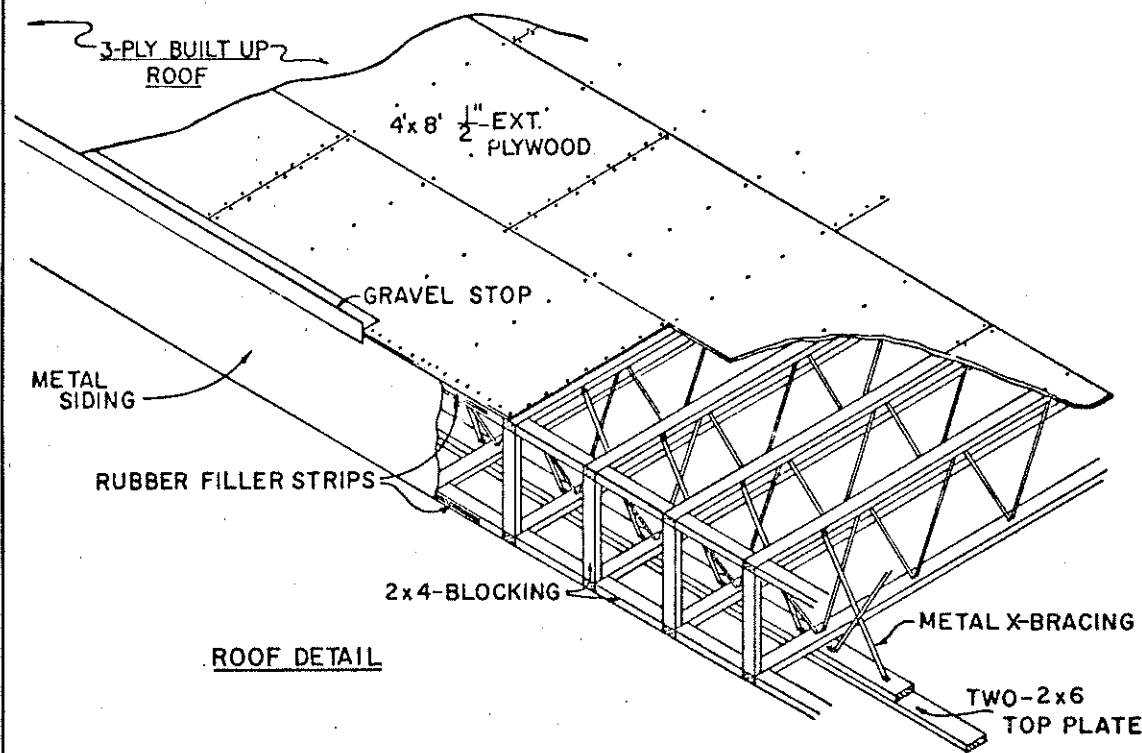
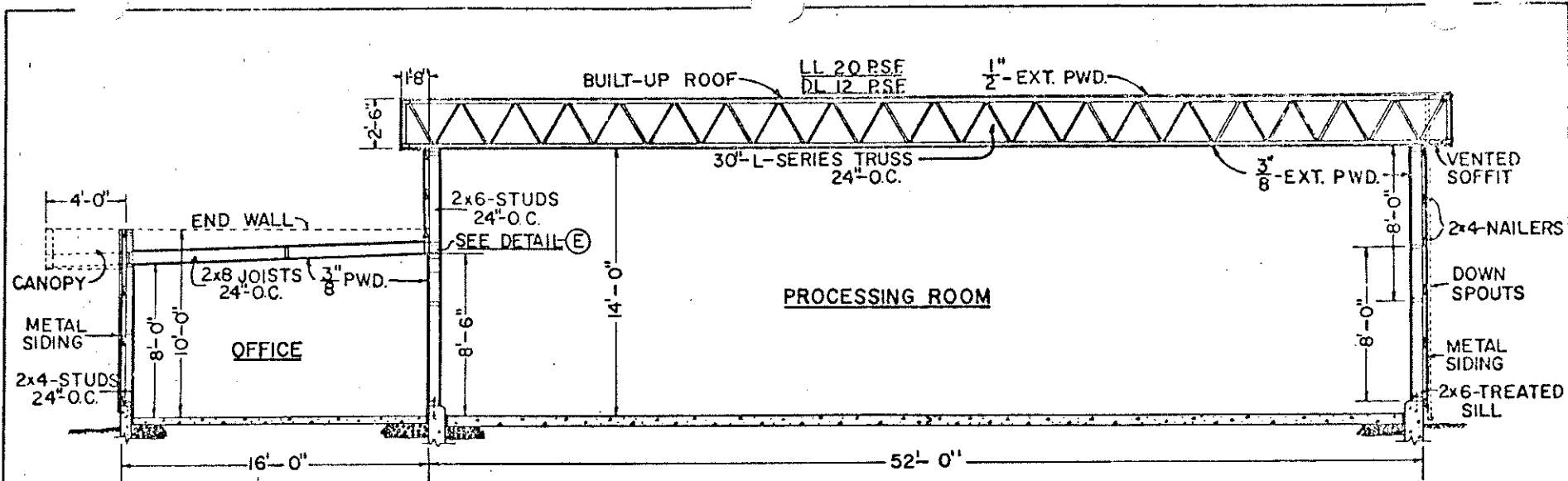
SECTION H-H

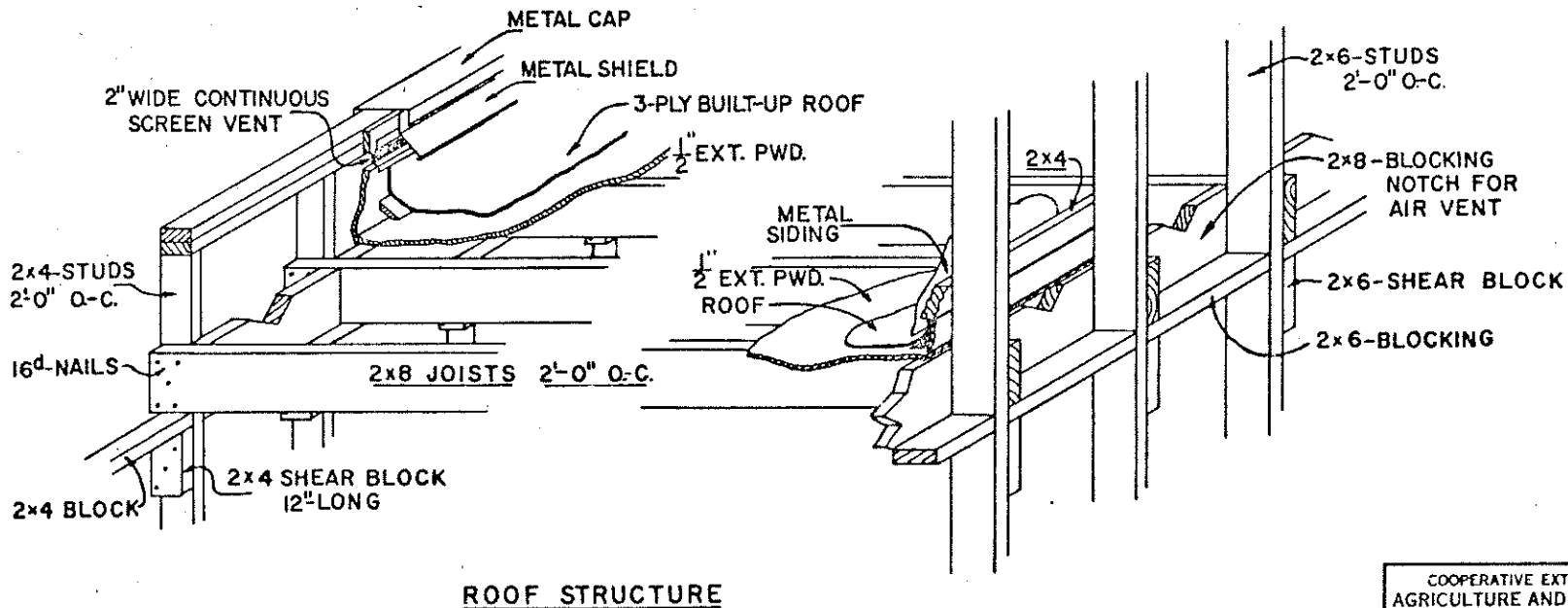
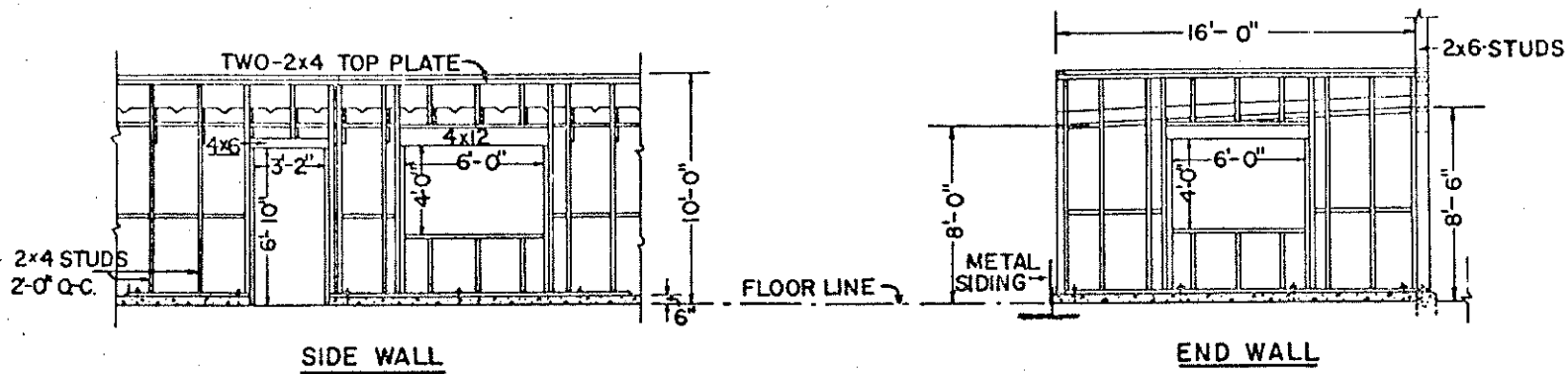
**NOTE**

- 1-PLACE BOLTS IN POUR FOR RUBBER DOCK BUMPERS
- 2-FOR 4" PIPE COLUMN PLATES
- 3-SLEEVES FOR 1 1/2" PIPE RAIL UP-RIGHTS

**LOADING DOCK & TRUCK PIT**

COOPERATIVE EXTENSION WORK IN AGRICULTURE AND HOME ECONOMICS		
AND UNITED STATES DEPARTMENT OF AGRICULTURE COOPERATING		
EGG PROCESSING PLANT		
USDA-TFRD '70	6095	SHEET 4 OF 6





**OFFICE STRUCTURAL DETAILS**

COOPERATIVE EXTENSION WORK IN AGRICULTURE AND HOME ECONOMICS		
AND UNITED STATES DEPARTMENT OF AGRICULTURE COOPERATING		
EGG PROCESSING PLANT		
USDA-TFRD 70	6095	SHEET 6 OF 8