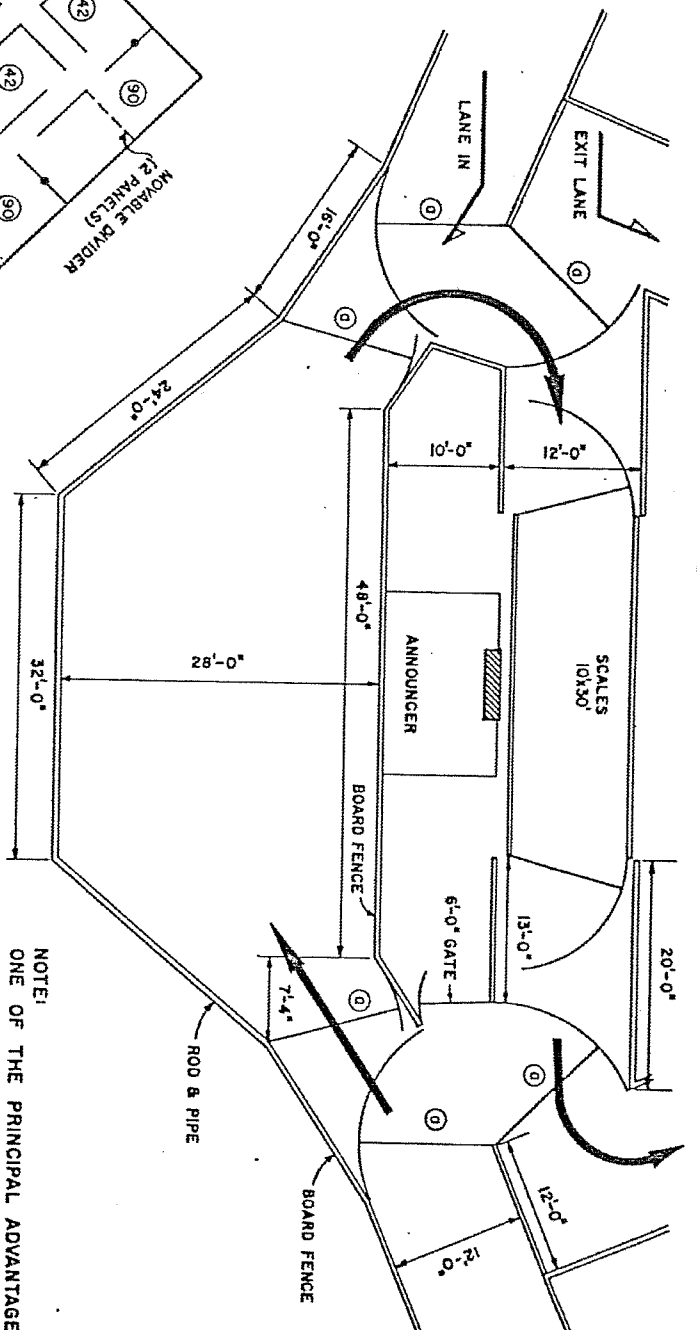
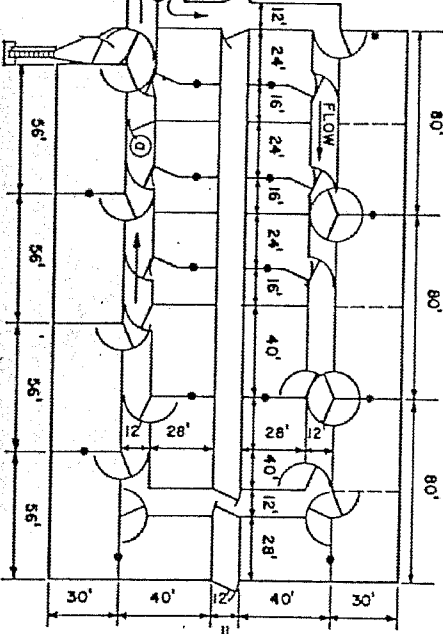
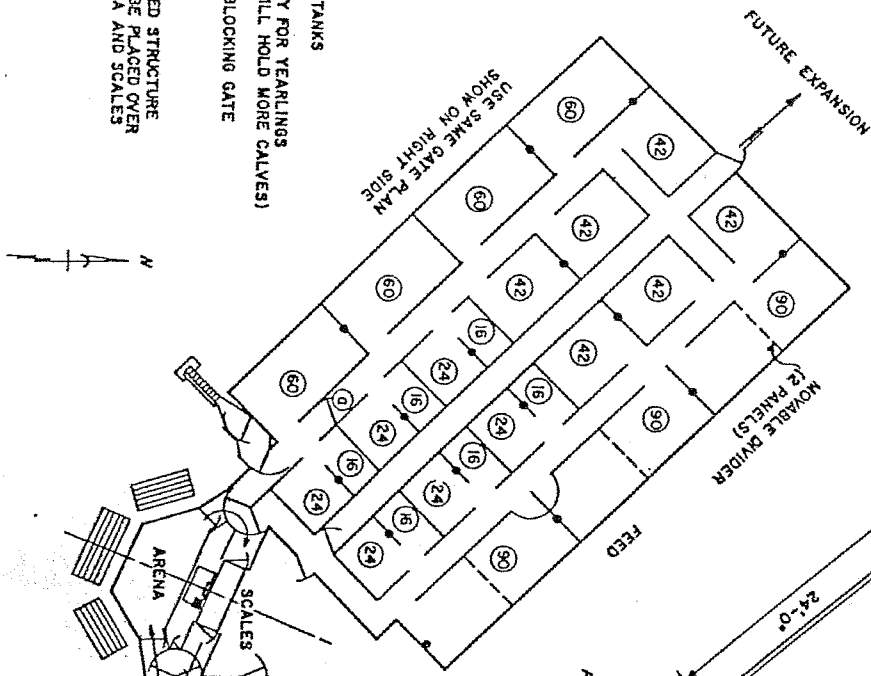


- WATER TANKS
- CAPACITY FOR YEARLINGS
(PENS WILL HOLD MORE CALVES)
- ① ALLEY BLOCKING GATE

NOTE: ROOFED STRUCTURE
CAN BE PLACED OVER
ARENA AND SCALES

PLAN OF ARENA



NOTE:
ONE OF THE PRINCIPAL ADVANTAGES OF
THIS PLAN IS THAT THE FLOW OF CATTLE
MAY BE REVERSED. THE CATTLE CAN BE
WEIGHED BEFORE SELLING OR IMMEDIATELY
AFTER SALE.

DESIGNED BY: A.M. LANE

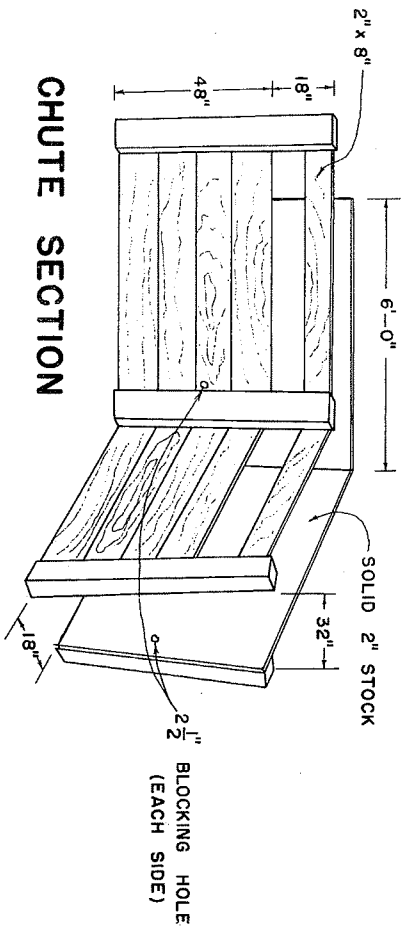
ARIZ. PLAN NO. A-150

COOPERATIVE EXTENSION WORK IN
AGRICULTURE AND HOME ECONOMICS

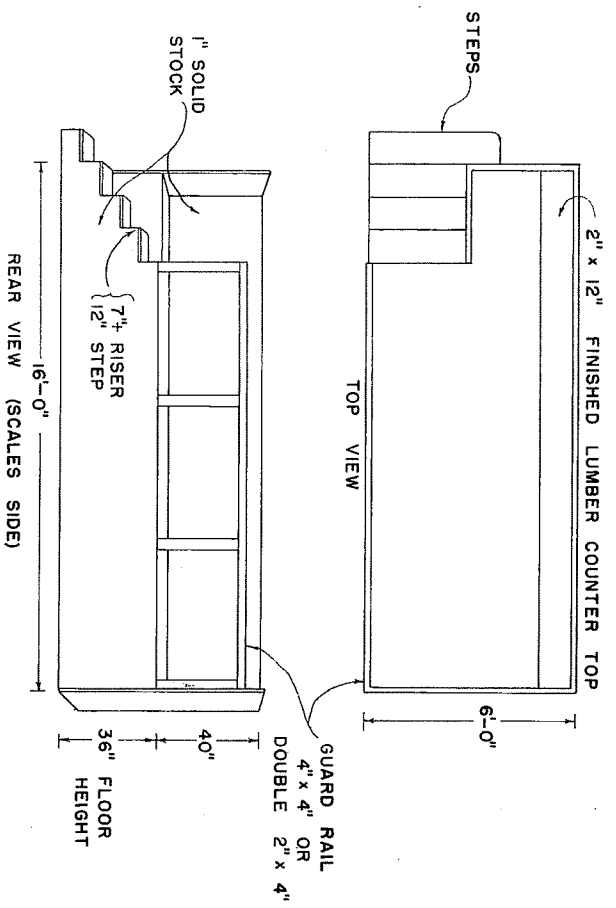
UNITED STATES DEPARTMENT OF AGRICULTURE COOPERATING

AND
AUCTION YARD
FOR LIVESTOCK

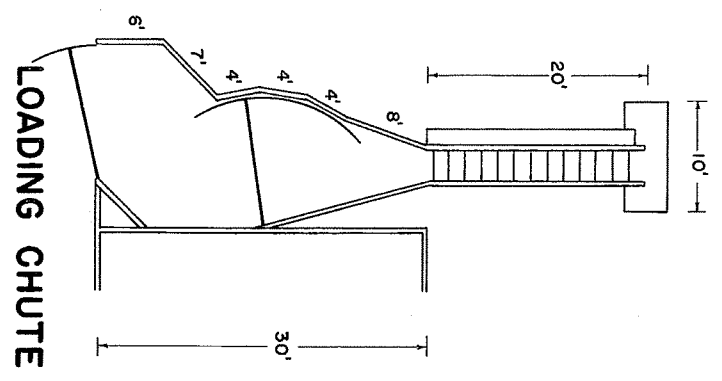
ARIZ. '70 6091 SHEET 1 OF 3



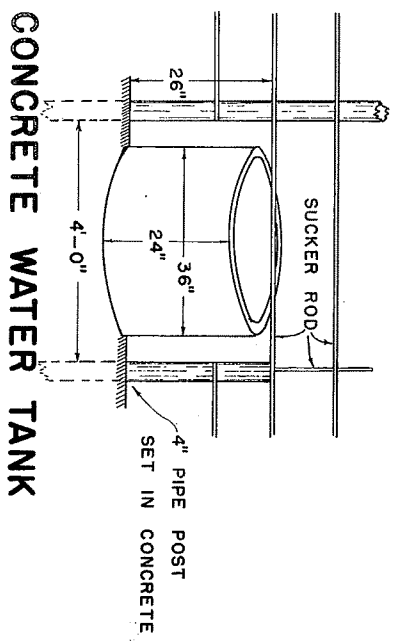
CHUTE SECTION



AUCTION BOX



LOADING CHUTE

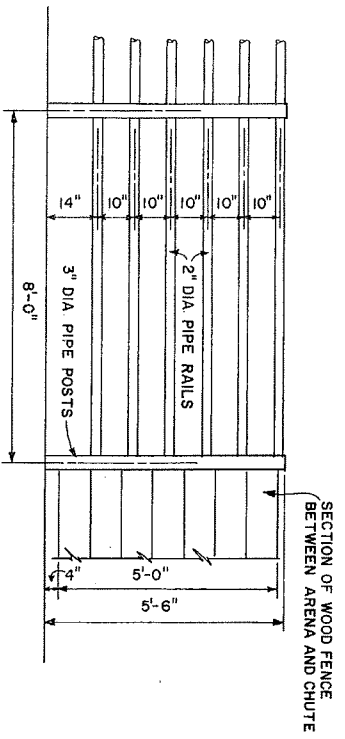


CONCRETE WATER TANK

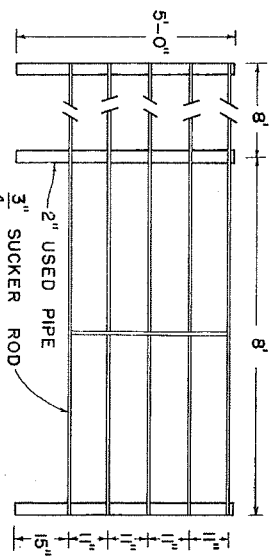
COOPERATIVE EXTENSION WORK IN
 AGRICULTURE AND HOME ECONOMICS
 NORTH DAKOTA STATE UNIVERSITY
 DEPARTMENT OF AGRICULTURE AND APPLIED SCIENCE
 UNITED STATES DEPARTMENT OF AGRICULTURE COOPERATING

**AUCTION YARD
 FOR LIVESTOCK**

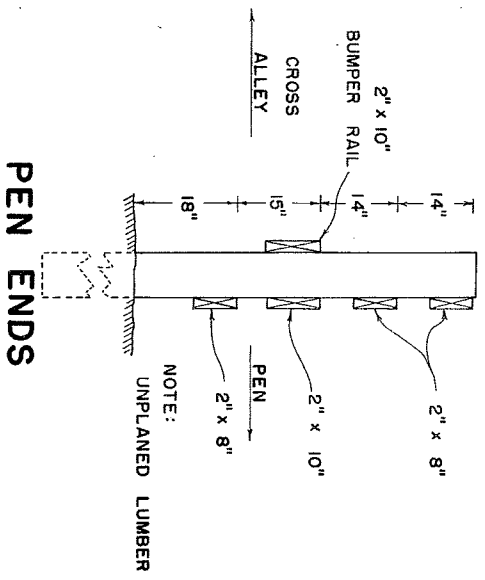
ARIZ. '70 6091 SHEET 2 OF 3



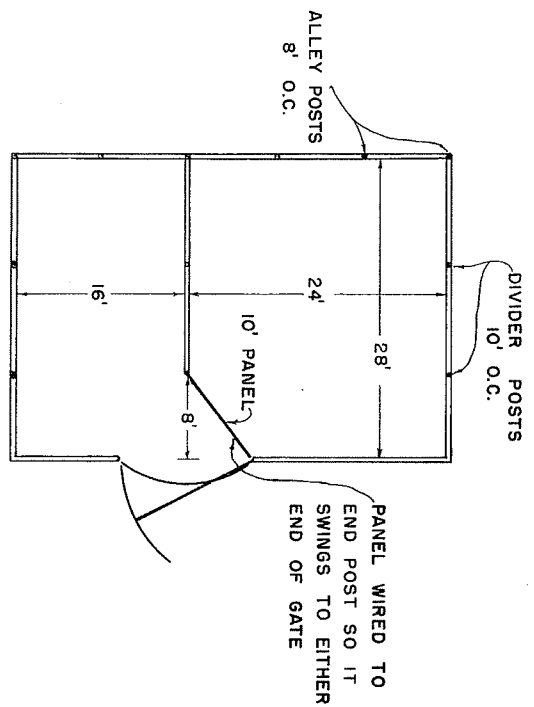
TYPICAL PIPE & BOARD FENCE



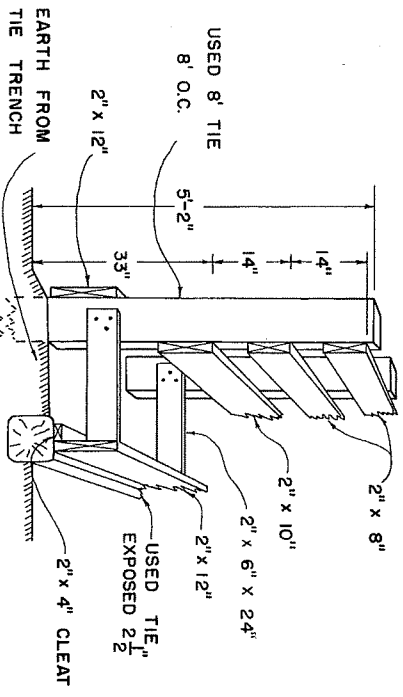
NOTE: 20' PANELS PROPORTIONATELY LONGER
16' PORTABLE PANEL (WELDED)
 ALTERNATE SHOWING USE OF SUCKER ROD



PEN ENDS



SMALL PEN



FEED ALLEY FENCE

COOPERATIVE EXTENSION WORK IN
 AGRICULTURE AND HOME ECONOMICS
 STATE OF NORTH DAKOTA
 NORTH DAKOTA STATE UNIVERSITY
 DEPARTMENT OF AGRICULTURE AND APPLIED SCIENCE

UNITED STATES DEPARTMENT OF AGRICULTURE
 COOPERATING

**AUCTION YARD
 FOR LIVESTOCK**

ARIZ. '70 6091 SHEET 3 OF 3