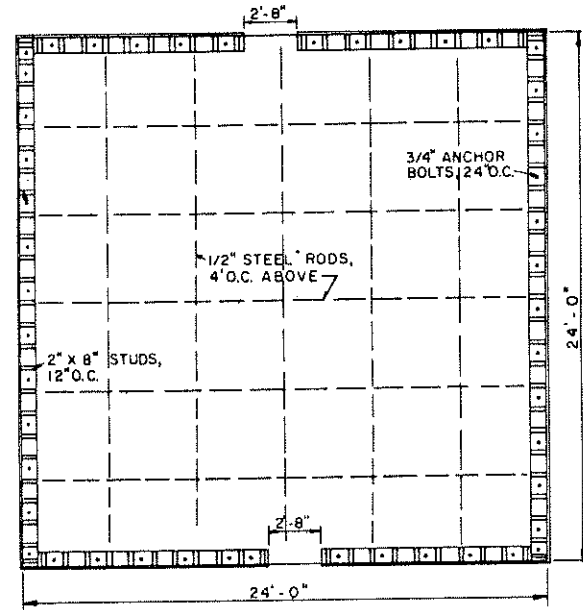
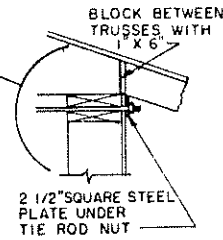
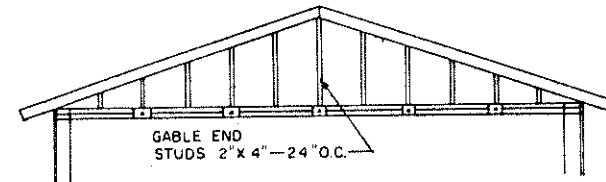


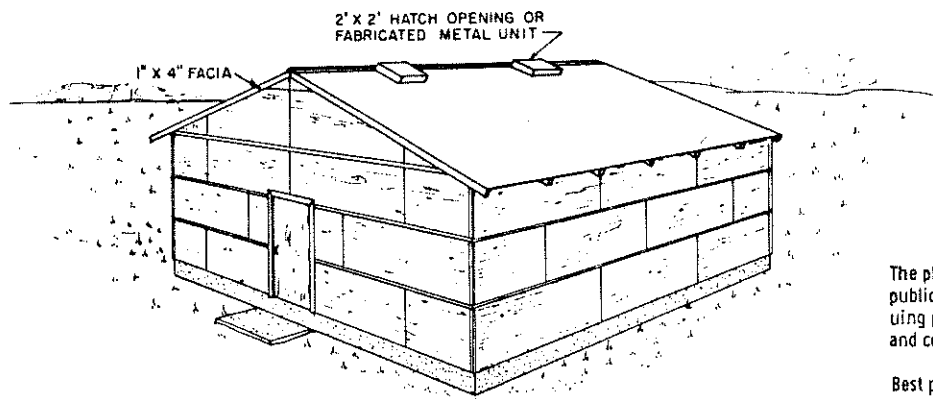
CROSS SECTION



FLOOR PLAN



GABLE END FRAMING



MENTION OF A TRADE NAME DOES NOT CONSTITUTE A GUARANTEE OR WARRANTY OF THE PRODUCT BY THE U. S. DEPARTMENT OF AGRICULTURE OR AN ENDORSEMENT BY THE DEPARTMENT OVER OTHER PRODUCTS NOT MENTIONED.

The plywood use recommendations contained in this publication are based upon the Association's continuing program of laboratory testing, product research and comprehensive field experience.

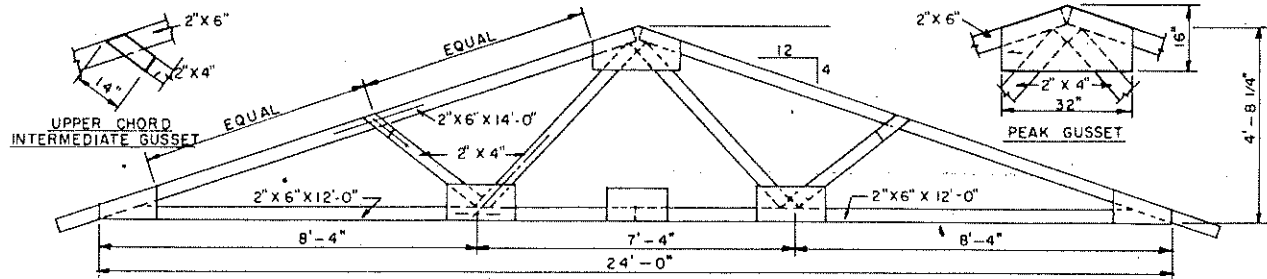
Best performance depends upon the use of quality plywood, identified by American Plywood Association grade-trademarks, properly applied in accordance with these recommendations.

AMERICAN PLYWOOD ASSOC.
PLAN NO. 69-130

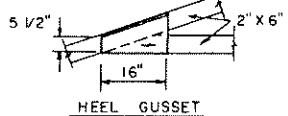
COOPERATIVE EXTENSION WORK IN
AGRICULTURE AND HOME ECONOMICS
DEPARTMENT OF AGRICULTURAL ENGINEERING
UNIVERSITY OF MARYLAND
AND
UNITED STATES DEPARTMENT OF AGRICULTURE COOPERATING

GRAIN BIN
5500 BUSHEL

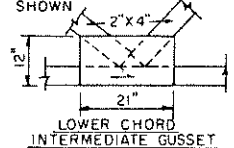
A.P.A. '70 6090 SHEET 1 OF 2



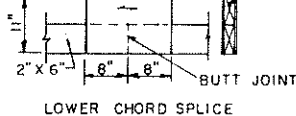
HEEL GUSSETS SHOULD BE FABRICATED FLUSH WITH BOTTOM EDGE OF CHORD MEMBER



LOCATE GUSSETS AS SHOWN



2" x 6" SPLICE BLOCK 16" LONG GLUED BETWEEN PLYWOOD SPLICE PLATES

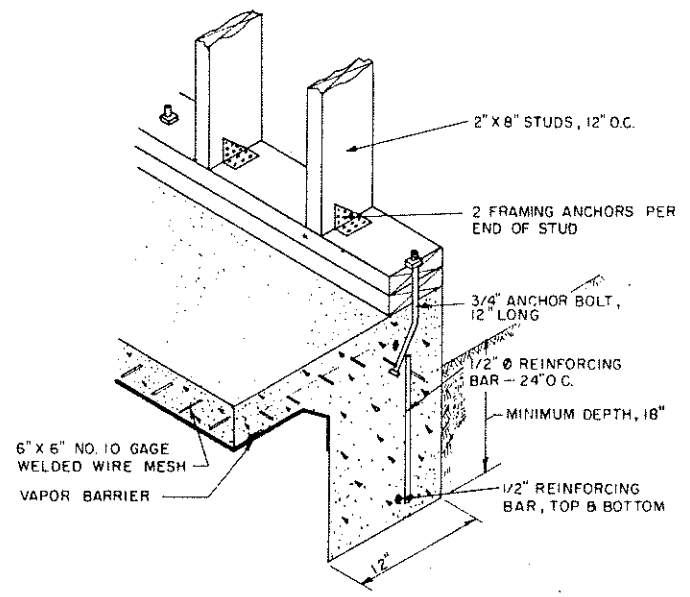


LUMBER:
UPPER CHORD, 2" x 6"
LOWER CHORD 2" x 6"

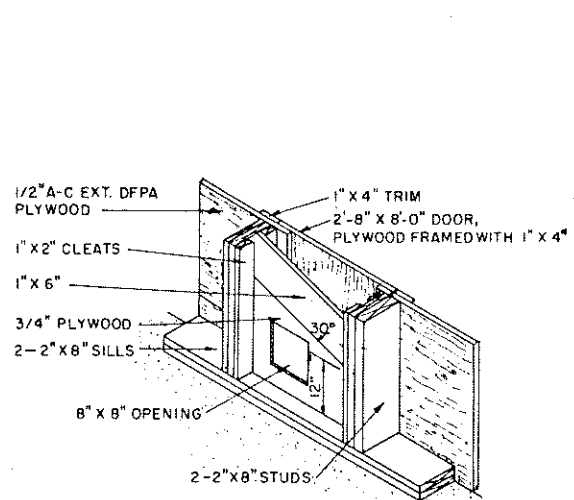
STANDARD GRADE J & P W CDF
" J & P WCH
STRUCTURAL WESTERN LARCH
OR NO. 2 2" DIMENSION SOUTHERN PINE

WEB 2" x 4" CONSTRUCTION GRADE DOUGLAS FIR,
LARCH OR HEMLOCK NO. 2 SOUTHERN PINE
GLUE:
RESORCINOL RESIN TYPE
NAILS:
6D SPACED 4" O.C. THREE ROWS FOR 2" x 6"
MEMBERS. TWO ROWS FOR 2" x 4" MEMBERS

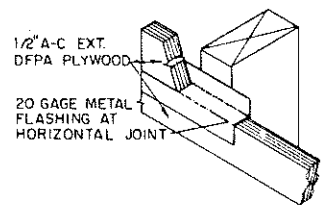
GUSSETS
GUSSETS ARE CUT FROM PLYWOOD (EXT. - DFPA)
1/2" C-C STRUCTURAL I. FACE GRAIN IS
HORIZONTAL ON ALL GUSSETS



FOUNDATION DETAIL



DOOR DETAIL



HORIZONTAL WALL JOINT

COOPERATIVE EXTENSION WORK IN AGRICULTURE AND HOME ECONOMICS DEPARTMENT OF AGRICULTURAL ENGINEERING UNIVERSITY OF MARYLAND AND UNITED STATES DEPARTMENT OF AGRICULTURE COOPERATING		
GRAIN BIN 5500 BUSHEL		
A.P.A. '70	6090	SHEET 2 OF 2