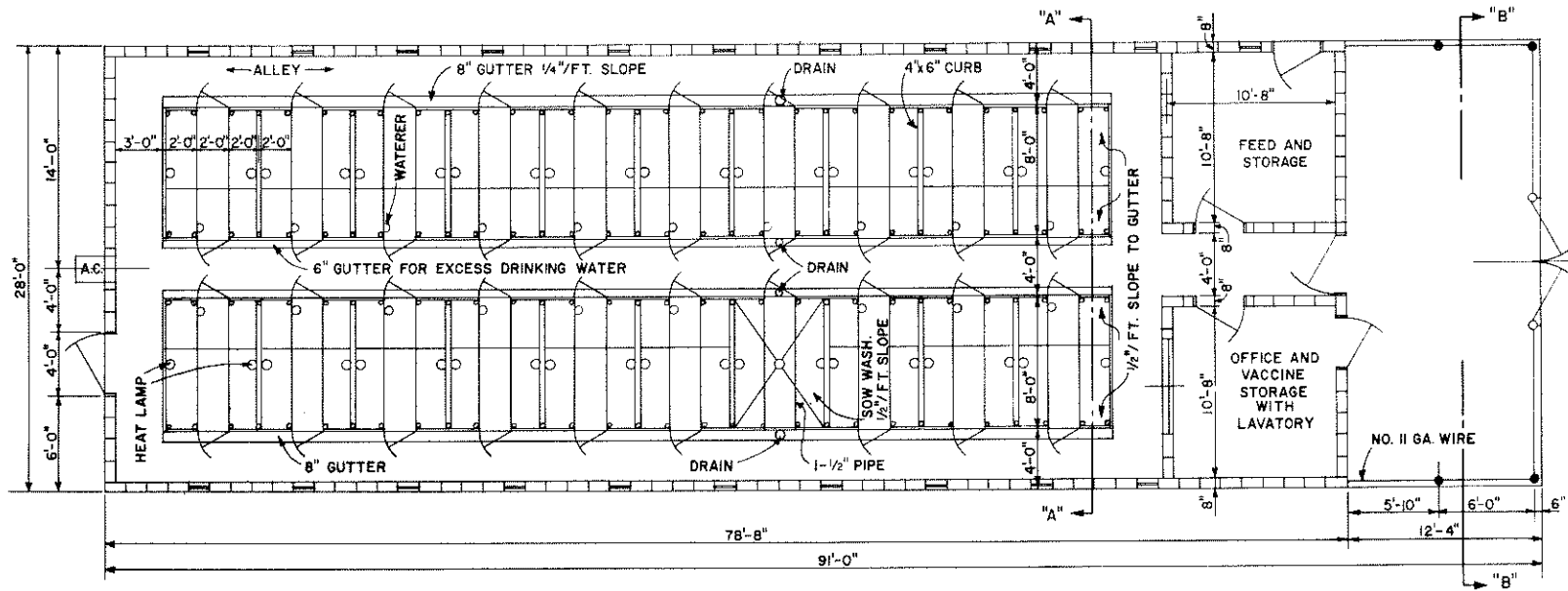
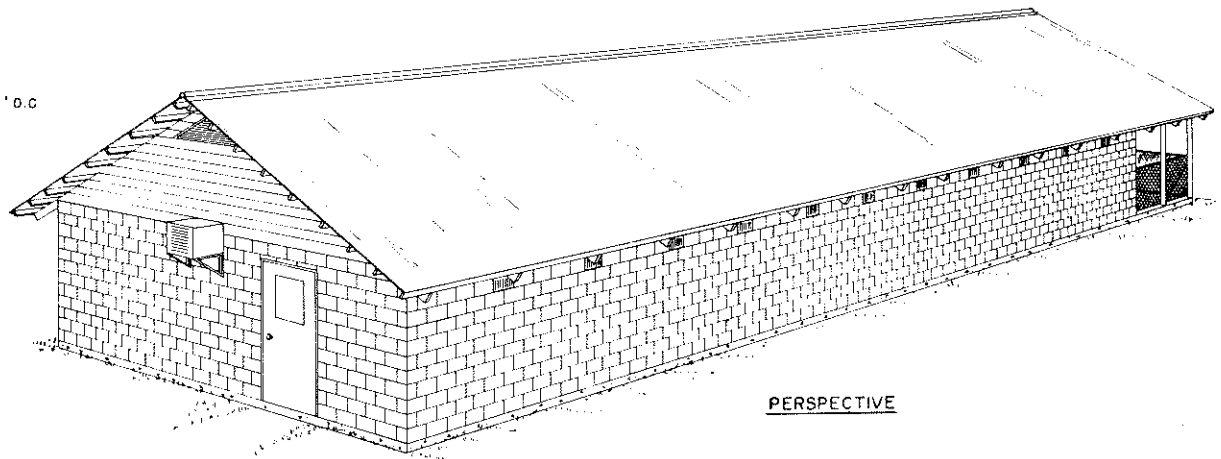
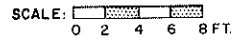


PURLIN SPLICE DETAIL



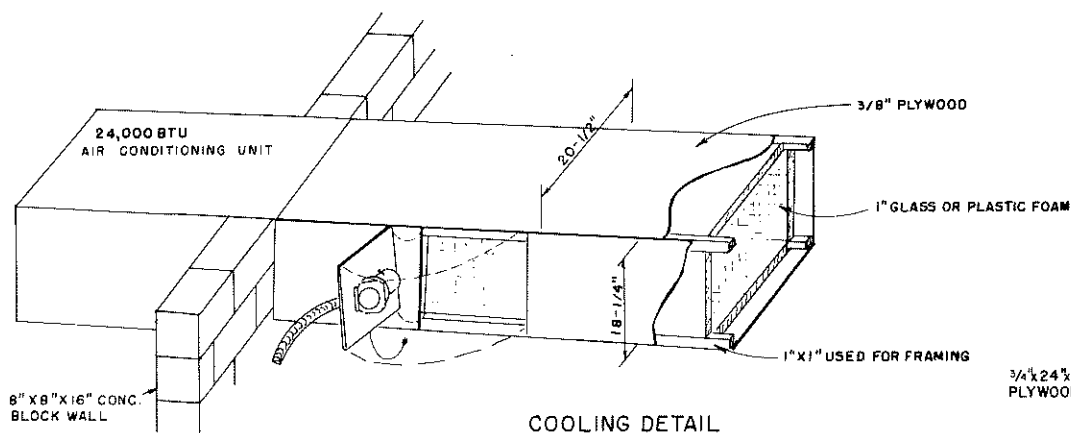
PLAN VIEW



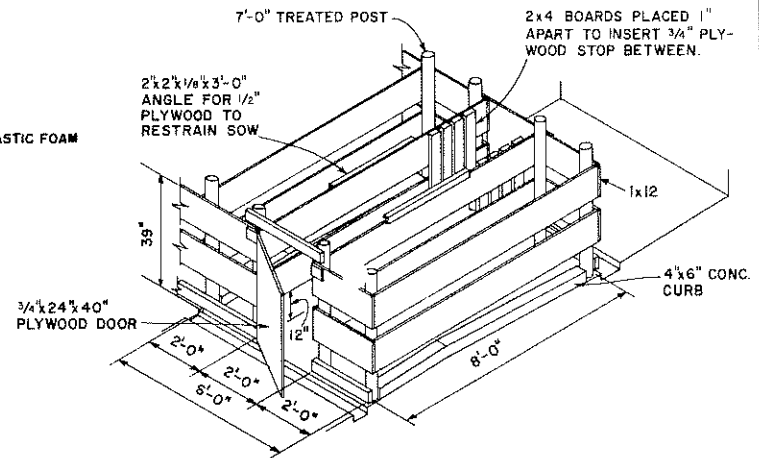
COOPERATIVE EXTENSION WORK IN  
AGRICULTURE AND HOME ECONOMICS  
DEPARTMENT OF AGRICULTURAL ENGINEERING  
UNIVERSITY OF MARYLAND  
AND  
UNITED STATES DEPARTMENT OF AGRICULTURE COOPERATING

FARROWING HOUSE  
FOR HOGS

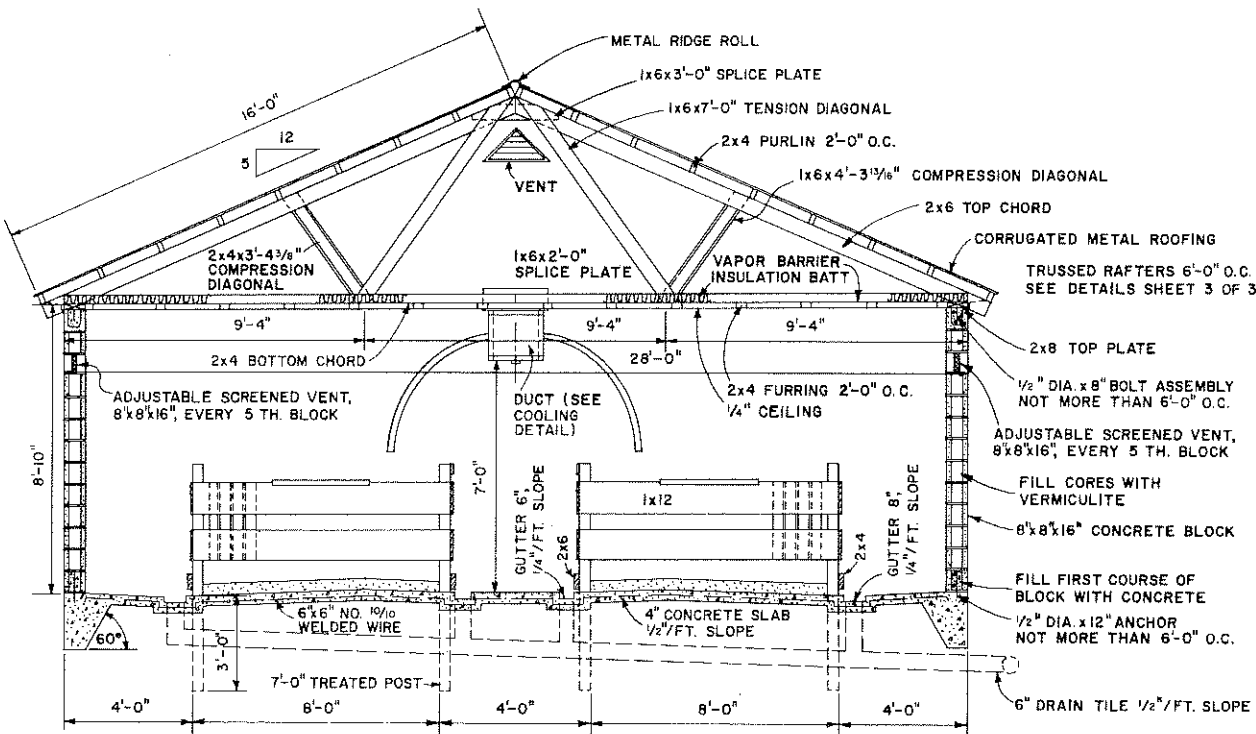
|          |      |              |
|----------|------|--------------|
| ALA. '70 | 6088 | SHEET 1 OF 3 |
|----------|------|--------------|



COOLING DETAIL

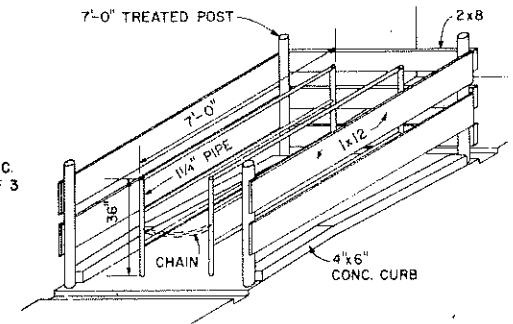


FARROWING JACKET DETAIL



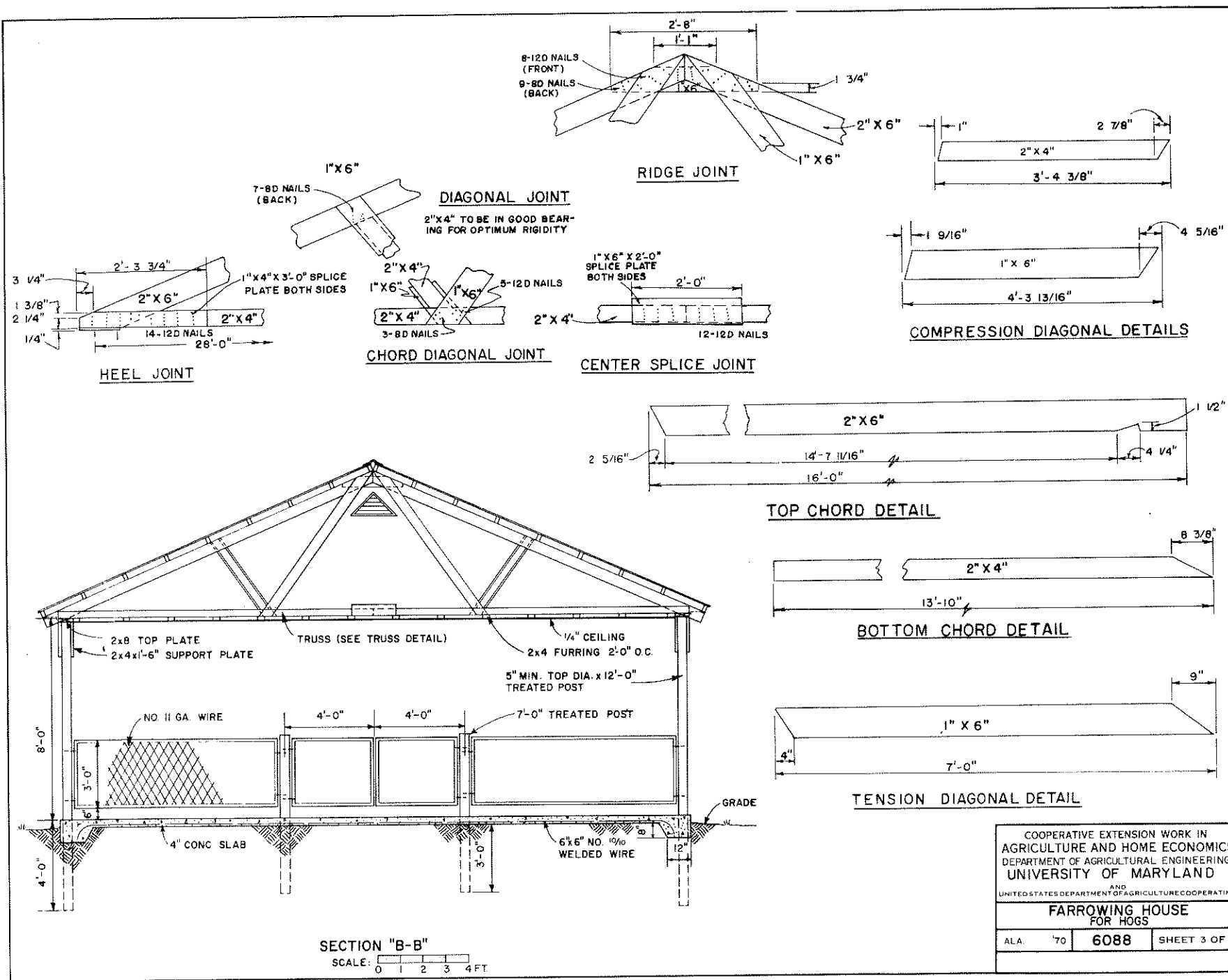
SECTION "A-A"

SCALE: 0 1 2 3 4 FT.



DETAIL OF WASH AREA

|                                                              |     |      |              |
|--------------------------------------------------------------|-----|------|--------------|
| COOPERATIVE EXTENSION WORK IN AGRICULTURE AND HOME ECONOMICS |     |      |              |
| DEPARTMENT OF AGRICULTURAL ENGINEERING                       |     |      |              |
| UNIVERSITY OF MARYLAND                                       |     |      |              |
| AND UNITED STATES DEPARTMENT OF AGRICULTURE COOPERATING      |     |      |              |
| FARROWING HOUSE FOR HOGS                                     |     |      |              |
| ALA.                                                         | '70 | 6088 | SHEET 2 OF 3 |



SECTION "B-B"  
SCALE: 0 1 2 3 4 FT.

COOPERATIVE EXTENSION WORK IN  
 AGRICULTURE AND HOME ECONOMICS  
 DEPARTMENT OF AGRICULTURAL ENGINEERING  
 UNIVERSITY OF MARYLAND  
 AND  
 UNITED STATES DEPARTMENT OF AGRICULTURE COOPERATING

**FARROWING HOUSE  
 FOR HOGS**

|      |    |             |              |
|------|----|-------------|--------------|
| ALA. | 70 | <b>6088</b> | SHEET 3 OF 3 |
|------|----|-------------|--------------|