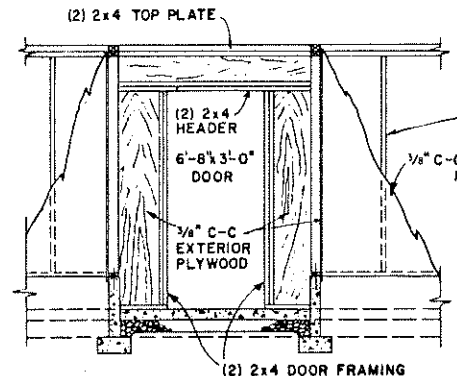
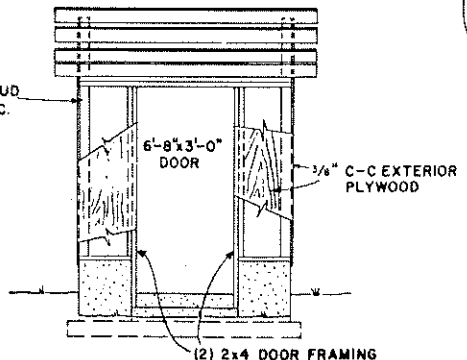


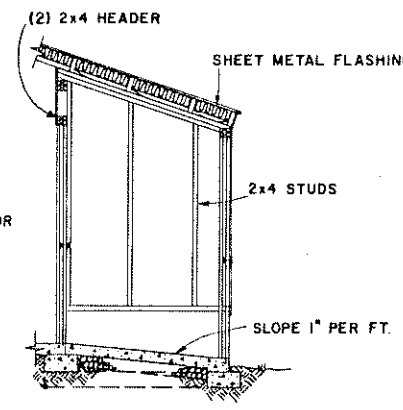
**SLIDING DOOR
ASSEMBLY DETAIL**



SECTION B-B



SECTION C-C



SECTION D-D

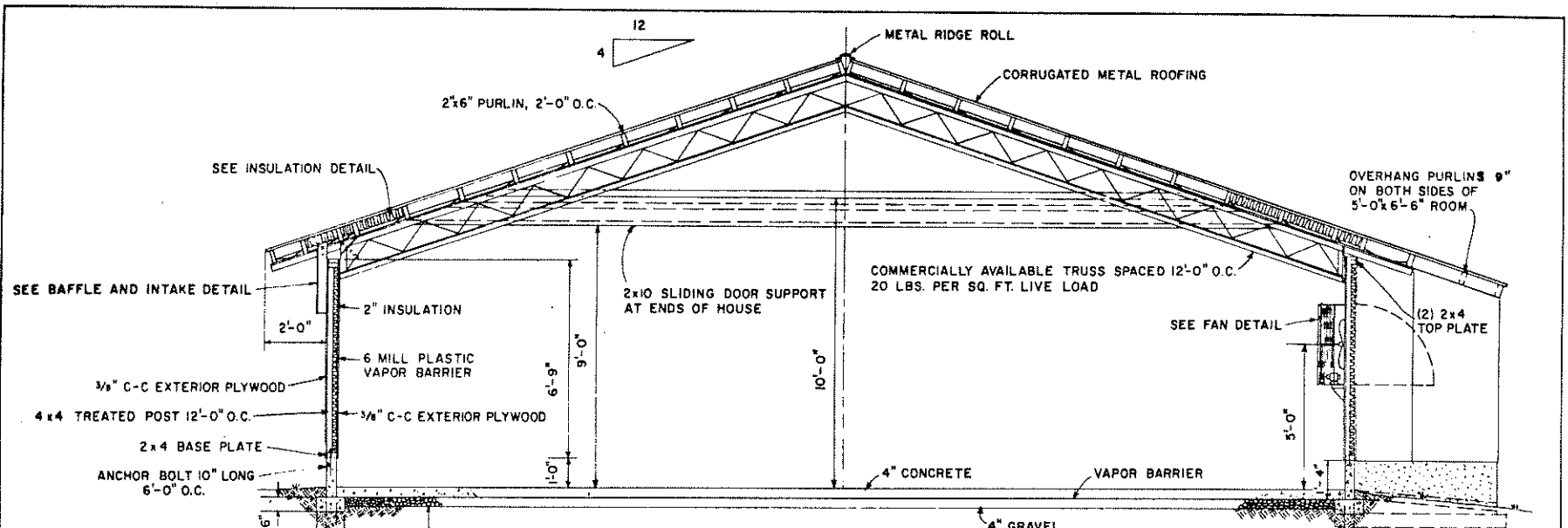
NOTE:
CONSULT LOCAL HEALTH
AUTHORITIES BEFORE STARTING
CONSTRUCTION TO BE SURE THAT
THE PLAN CONFORMS WITH LOCAL
REGULATIONS.

BASED ON AUBURN UNIV. PLAN NO. I-106

COOPERATIVE EXTENSION WORK IN
AGRICULTURE AND HOME ECONOMICS
DEPARTMENT OF AGRICULTURAL ENGINEERING
UNIVERSITY OF MARYLAND
AND
UNITED STATES DEPARTMENT OF AGRICULTURE COOPERATING

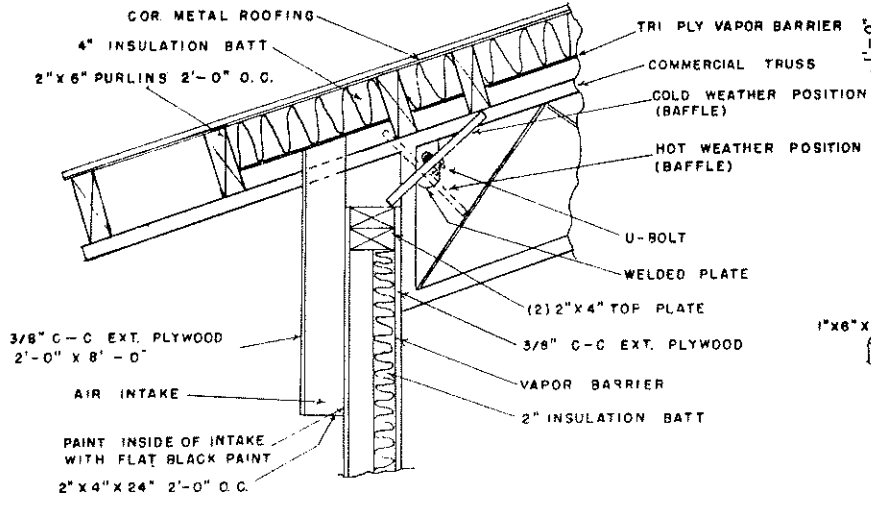
**POULTRY HOUSE
ENVIRONMENTALLY CONTROLLED**

| | | |
|---------|------|--------------|
| ALA '69 | 6087 | SHEET 1 OF 4 |
|---------|------|--------------|

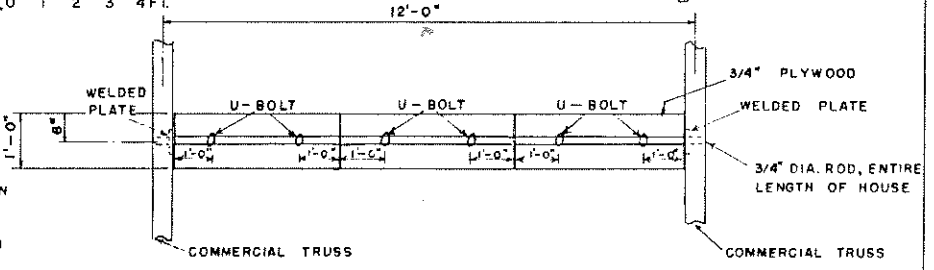


SECTION A-A

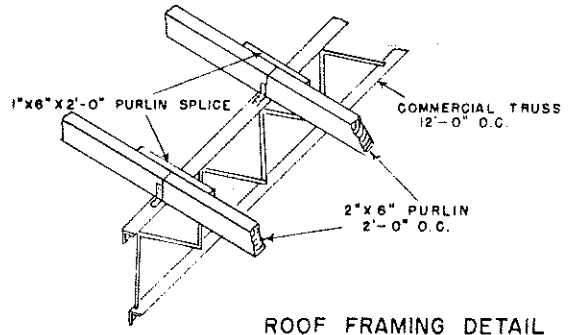
SCALE: 0 1 2 3 4 FT.



BAFFLE AND INTAKE DETAIL



PLAN VIEW OF BAFFLE

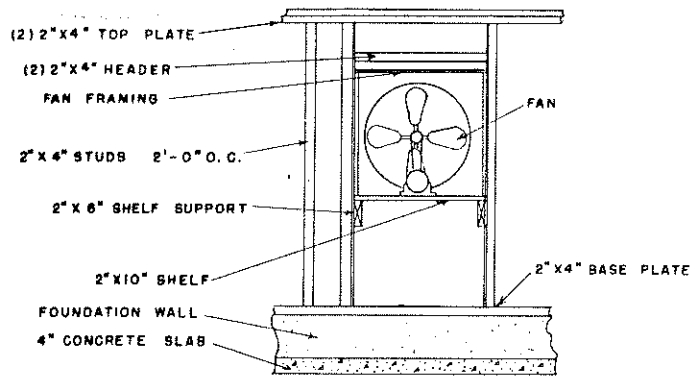
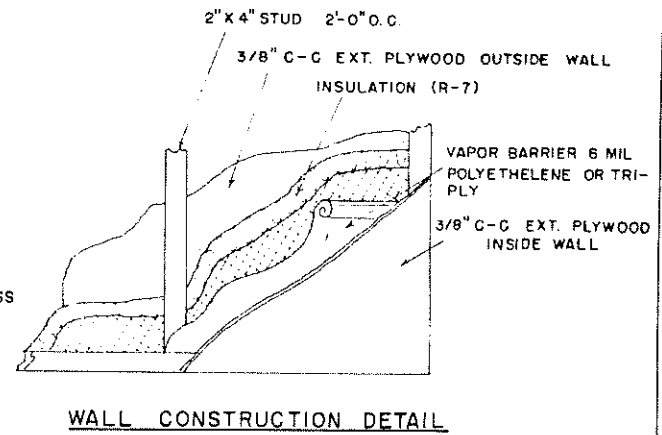
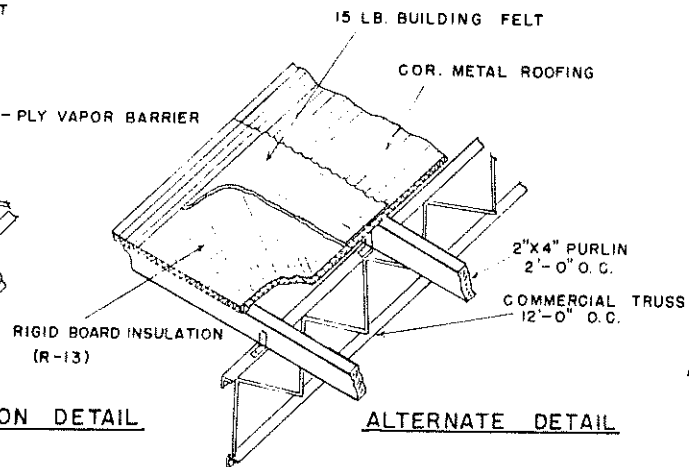
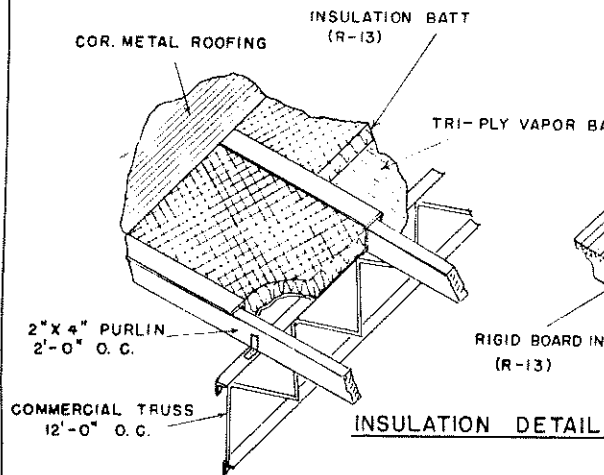


ROOF FRAMING DETAIL

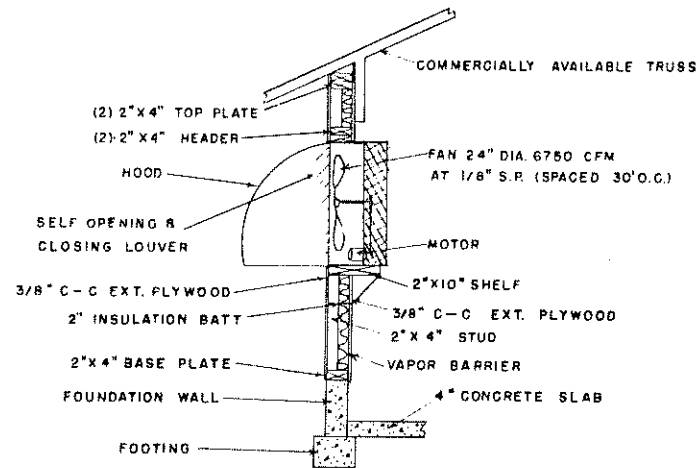
COOPERATIVE EXTENSION WORK IN
 AGRICULTURE AND HOME ECONOMICS
 DEPARTMENT OF AGRICULTURAL ENGINEERING
 UNIVERSITY OF MARYLAND
 AND
 UNITED STATES DEPARTMENT OF AGRICULTURE COOPERATING

**POULTRY HOUSE
 ENVIRONMENTALLY CONTROLLED**

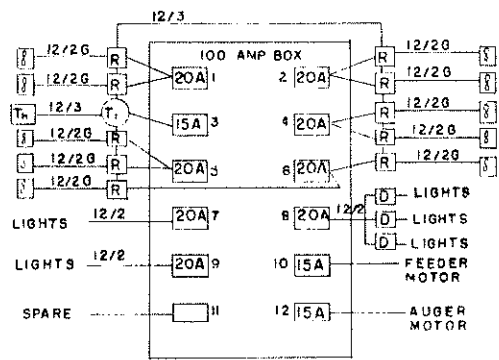
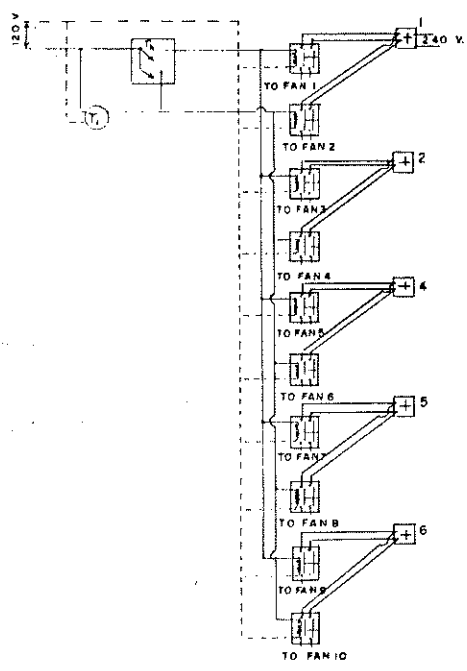
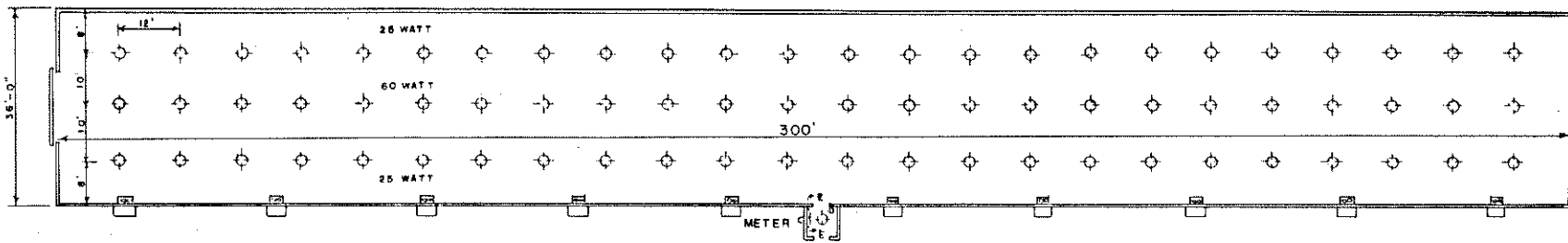
| | | | |
|------|-----|------|--------------|
| ALA. | '69 | 6087 | SHEET 2 OF 4 |
|------|-----|------|--------------|



FAN DETAILS



| | | |
|---|-----|--------------|
| COOPERATIVE EXTENSION WORK IN AGRICULTURE AND HOME ECONOMICS DEPARTMENT OF AGRICULTURAL ENGINEERING UNIVERSITY OF MARYLAND AND UNITED STATES DEPARTMENT OF AGRICULTURE COOPERATING | | |
| POULTRY HOUSE ENVIRONMENTALLY CONTROLLED | | |
| ALA. | '69 | 6087 |
| | | SHEET 3 OF 4 |



SECTION E-E

ELECTRICAL DIAGRAM

240 VOLT CIRCUITS

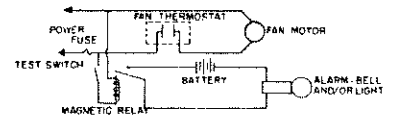
- CIRCUIT BREAKER NO. 1 - 2 FAN CIRCUITS
- CIRCUIT BREAKER NO. 2 - 2 FAN CIRCUITS
- CIRCUIT BREAKER NO. 4 - 2 FAN CIRCUITS
- CIRCUIT BREAKER NO. 10 - FEEDER MOTOR
- CIRCUIT BREAKER NO. 12 - AUGER MOTOR
- CIRCUIT BREAKER NO. 5 - 2 FAN CIRCUITS
- CIRCUIT BREAKER NO. 6 - 2 FAN CIRCUITS

120 VOLT CIRCUITS

- CIRCUIT BREAKER NO. 3 - RELAY CONTROL CIR.
- CIRCUIT BREAKER NO. 7 - LIGHTS ON ONE SIDE
- CIRCUIT BREAKER NO. 8 - CENTER LIGHTS WITH DIMMER
- CIRCUIT BREAKER NO. 9 - LIGHTS ON ONE SIDE

SYMBOLS

- T - TIMER
- Ta - THERMOSTAT
- R - RELAY
- D - DIMMER



BATTERY OPERATED RELAY CONTROLLED ALARM

COOPERATIVE EXTENSION WORK IN
 AGRICULTURE AND HOME ECONOMICS
 DEPARTMENT OF AGRICULTURAL ENGINEERING
 UNIVERSITY OF MARYLAND
 AND
 UNITED STATES DEPARTMENT OF AGRICULTURE COOPERATING

POULTRY HOUSE
 ENVIRONMENTALLY CONTROLLED

| | | |
|---------|------|--------------|
| ALA '69 | 6087 | SHEET 4 OF 4 |
|---------|------|--------------|