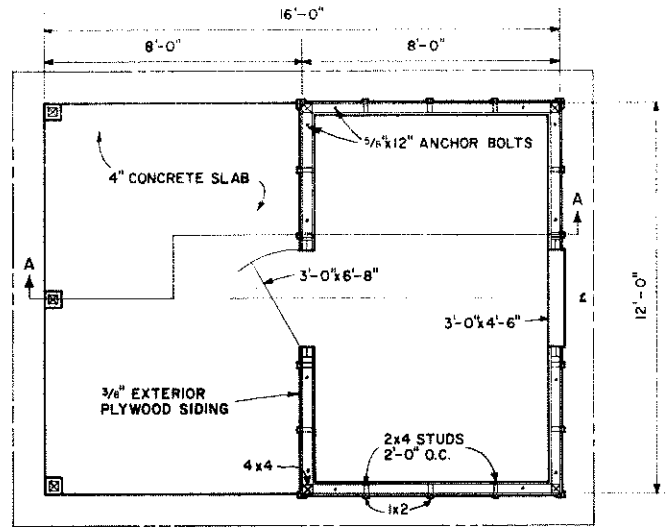
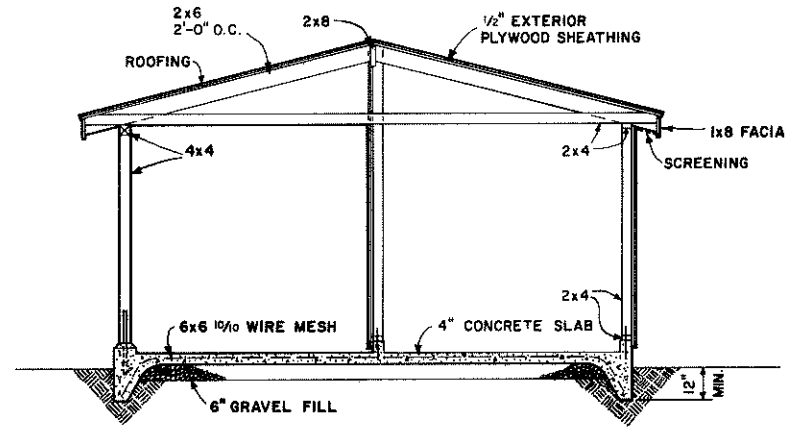


SIDE ELEVATION
SCALE: 0 1 2 3 4 FT.



PLAN
SCALE: 0 1 2 3 4 FT.



SECTION A-A
SCALE: 0 1 2 3 4 FT.

TYPE I

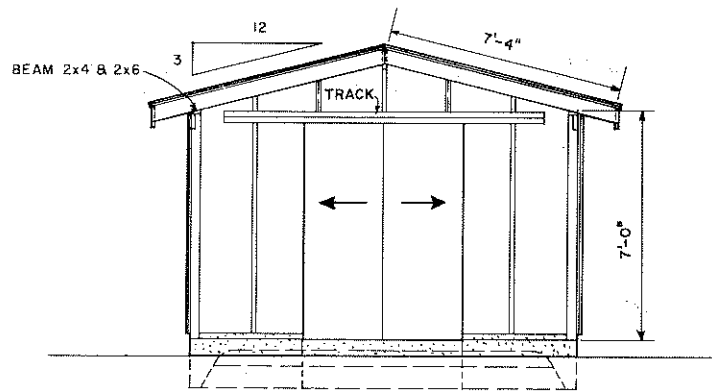
NOTE: ALL 4x4 POSTS TO BE FASTENED WITH 3/16"x1/2" STEEL U-STRAP ANCHORS CAST INTO CONCRETE 12" ENDS TO EXTEND 12" ON SIDES OF POST. FASTEN WITH TWO 3/8"x2 1/2" LAG SCREWS, STAGGERED, EACH SIDE.
FOR OPENINGS UP TO 4'-0" USE TWO 2x4'S
FOR OPENINGS UP TO 5'-6" USE TWO 2x6'S

COOPERATIVE EXTENSION WORK IN
AGRICULTURE AND HOME ECONOMICS
DEPARTMENT OF AGRICULTURAL ENGINEERING
UNIVERSITY OF MARYLAND
AND
UNITED STATES DEPARTMENT OF AGRICULTURE COOPERATING

STORAGE SHEDS

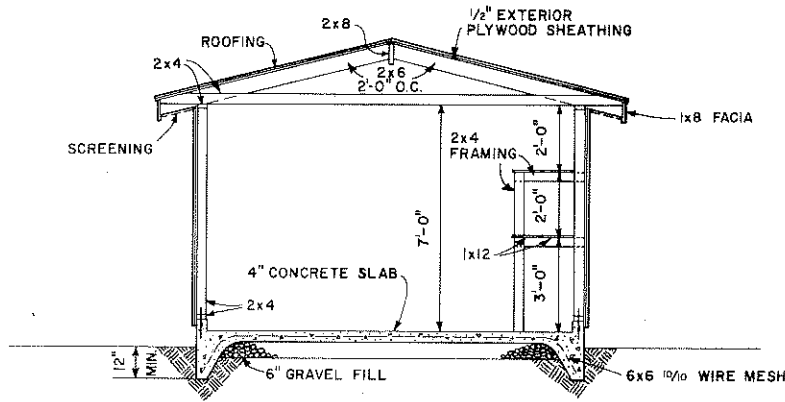
S.C.	'69	6086	SHEET 1 OF 3
------	-----	-------------	--------------

BASED ON: CLEMSON UNIV. S.C. PLAN 350



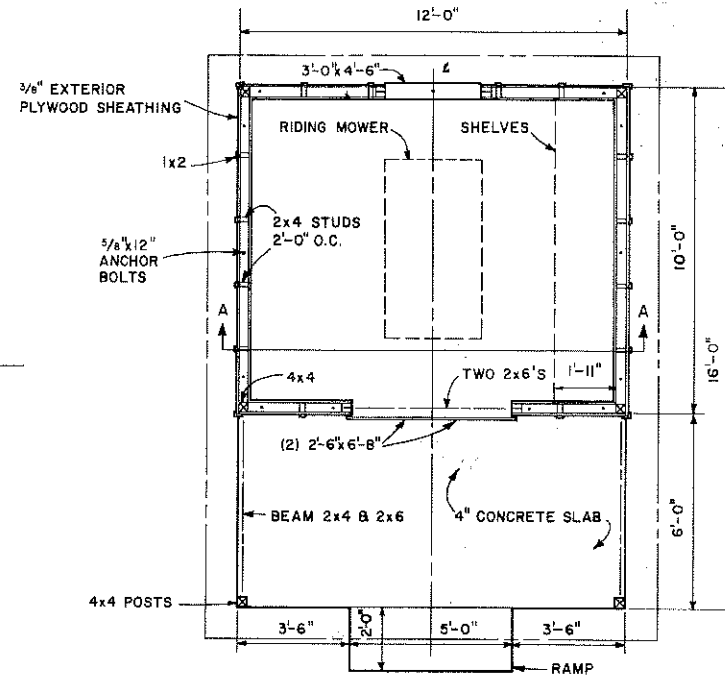
FRONT ELEVATION

SCALE: 0 1 2 3 4 FT.



SECTION A-A

SCALE: 0 1 2 3 4 FT.



PLAN

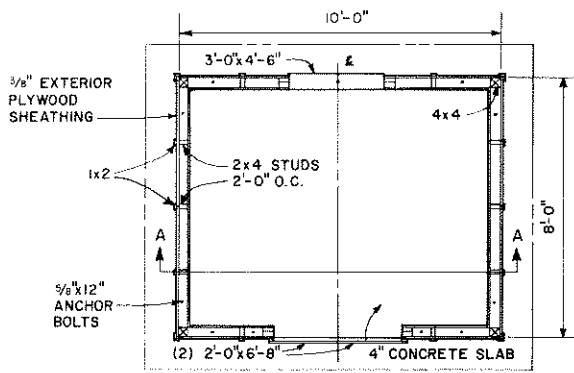
SCALE: 0 1 2 3 4 FT.

TYPE 2

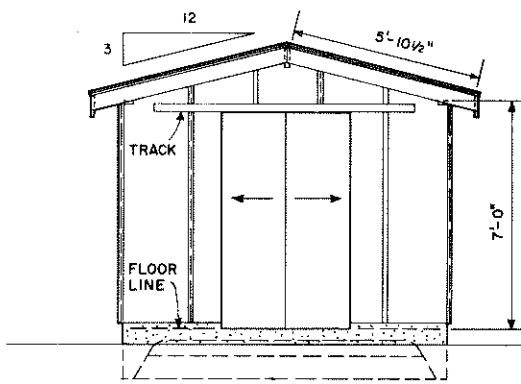
COOPERATIVE EXTENSION WORK IN
 AGRICULTURE AND HOME ECONOMICS
 DEPARTMENT OF AGRICULTURAL ENGINEERING
 UNIVERSITY OF MARYLAND
 AND
 UNITED STATES DEPARTMENT OF AGRICULTURE COOPERATING

STORAGE SHEDS

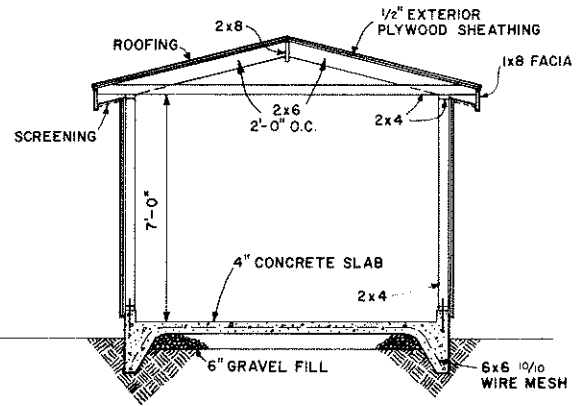
S.C. '69 6086 SHEET 2 OF 3



PLAN

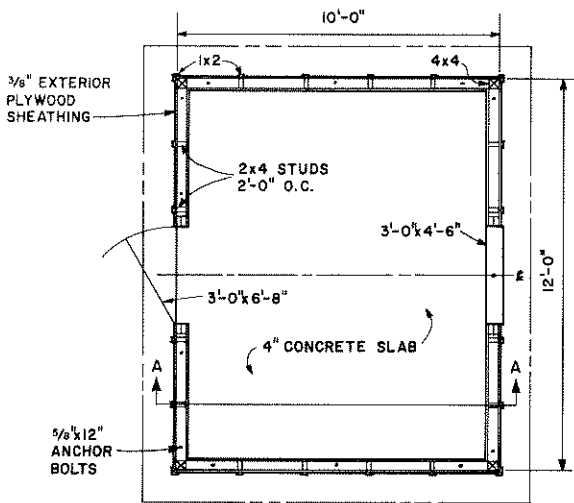


FRONT ELEVATION

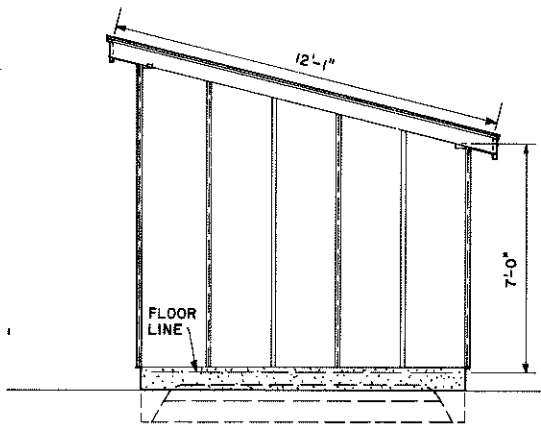


SECTION A-A

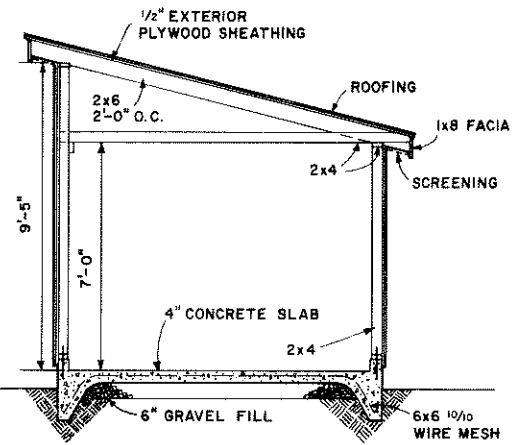
TYPE 3
SCALE: 0 1 2 3 4 FT.



PLAN



SIDE ELEVATION



SECTION A-A

TYPE 4
SCALE: 0 1 2 3 4 FT.

COOPERATIVE EXTENSION WORK IN
AGRICULTURE AND HOME ECONOMICS
DEPARTMENT OF AGRICULTURAL ENGINEERING
UNIVERSITY OF MARYLAND
AND
UNITED STATES DEPARTMENT OF AGRICULTURE COOPERATING

STORAGE SHEDS

S.C.	'69	6086	SHEET 3 OF 3
------	-----	------	--------------