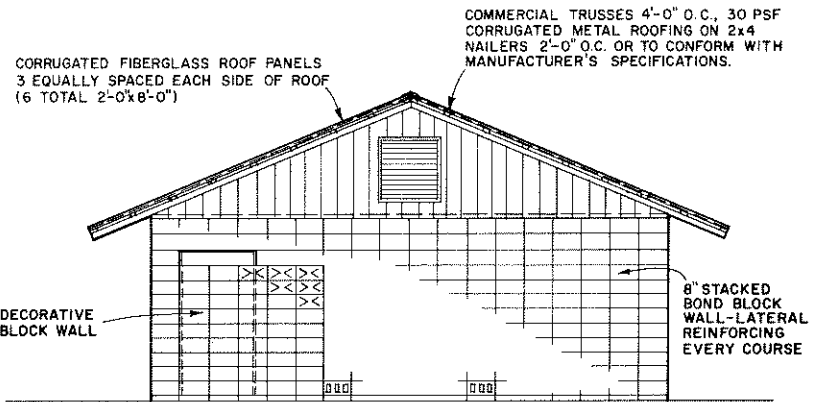


SIDE ELEVATION

SCALE: 0 2 4 6 FT.

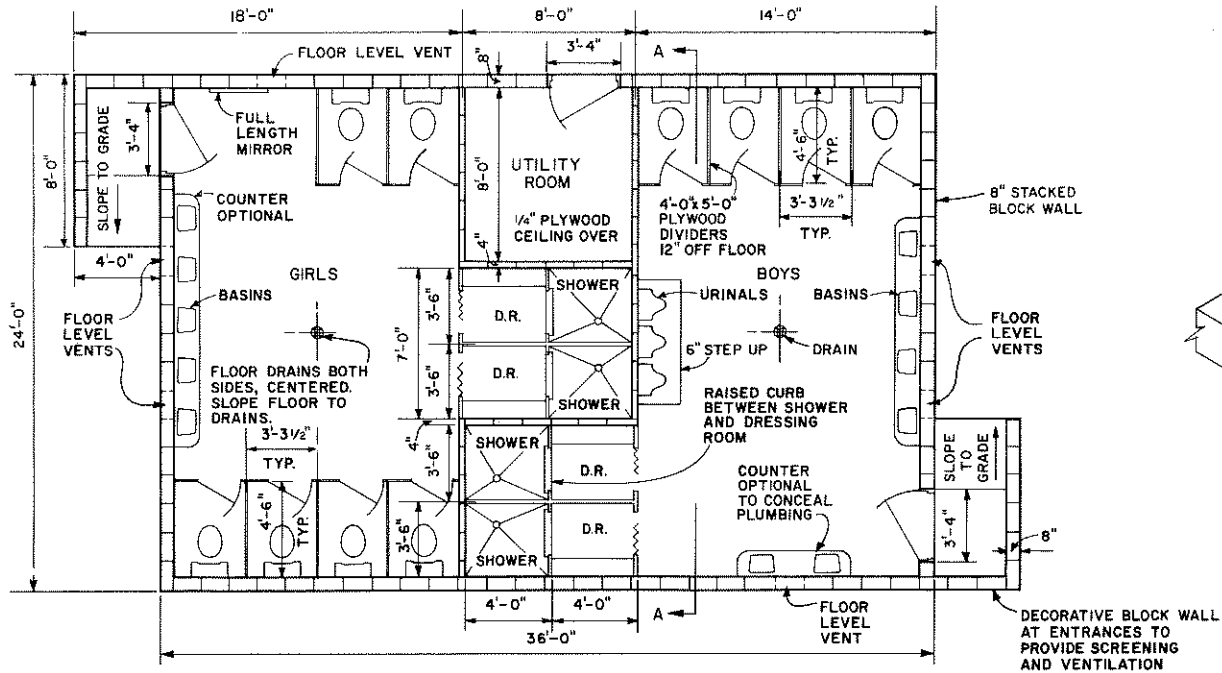


SIDE ELEVATION

ALTERNATE CONSTRUCTION

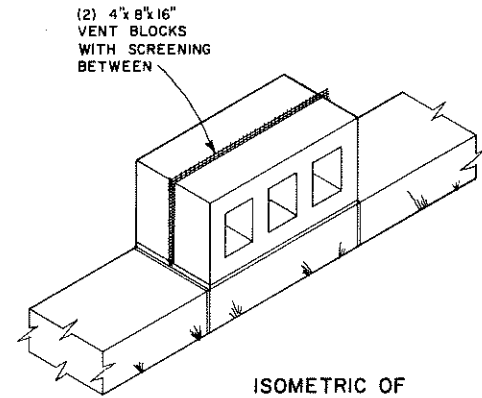
SCALE: 0 2 4 6 FT.

FINISH
 INTERIOR - FINISH BLOCKS WITH COATING OF EPOXY PAINT
 EXTERIOR - (IF DESIRED) CEMENT WATER PAINT



PLAN

SCALE: 0 2 4 6 FT.



ISOMETRIC OF FLOOR LEVEL VENT BLOCKS

FACILITIES FOR 50 CAMPSITES

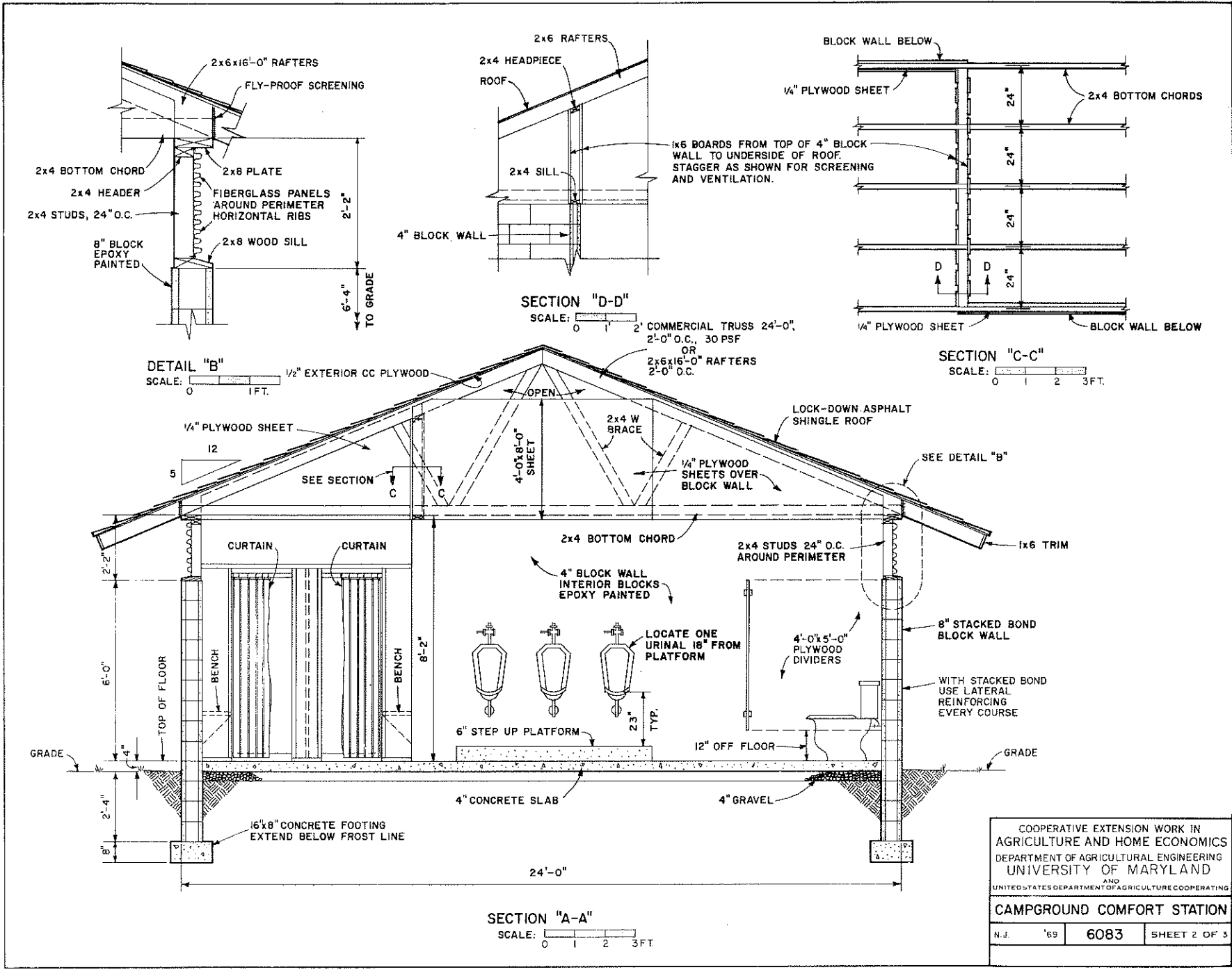
CONSULT STATE AND LOCAL AUTHORITIES BEFORE STARTING CONSTRUCTION

COOPERATIVE EXTENSION WORK IN
 AGRICULTURE AND HOME ECONOMICS
 DEPARTMENT OF AGRICULTURAL ENGINEERING
 UNIVERSITY OF MARYLAND
 AND
 UNITED STATES DEPARTMENT OF AGRICULTURE COOPERATING

CAMPGROUND COMFORT STATION

N.J.	'69	6083	SHEET 1 OF 3
------	-----	------	--------------

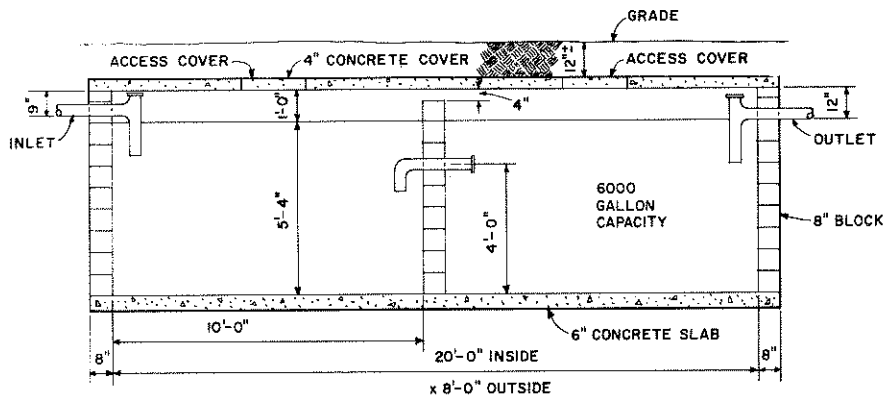
BASED ON: RUTGERS - THE STATE UNIVERSITY
 NEW JERSEY PLAN NO. 149



COOPERATIVE EXTENSION WORK IN
 AGRICULTURE AND HOME ECONOMICS
 DEPARTMENT OF AGRICULTURAL ENGINEERING
 UNIVERSITY OF MARYLAND
 AND
 UNITED STATES DEPARTMENT OF AGRICULTURE COOPERATING

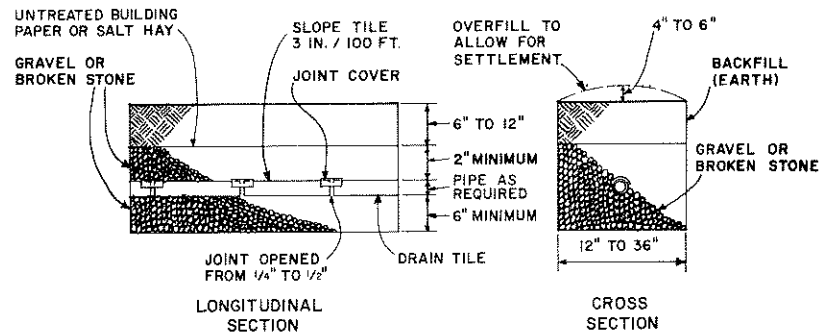
CAMPGROUND COMFORT STATION

N.J.	'69	6083	SHEET 2 OF 3
------	-----	------	--------------



SEPTIC TANK LONGITUDINAL SECTION

SCALE: 0 1 2 3 4 FT.

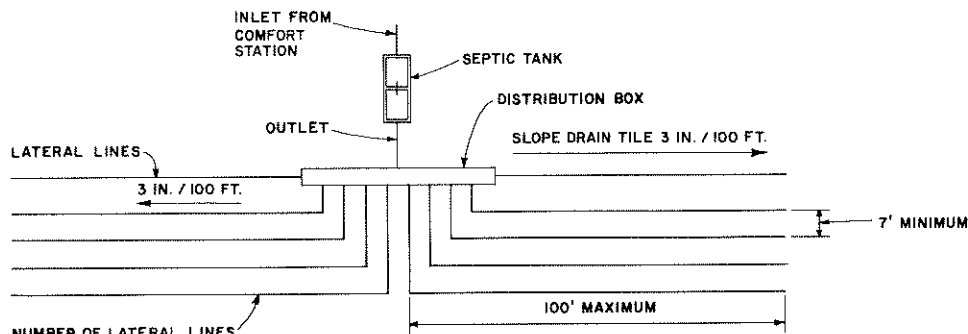


DETAIL OF DRAIN TILE AT ABSORPTION FIELD

SCALE: 0 1 2 3 FT.

50 CAMPSITES

4 PERSONS PER CAMPSITE
 35 GALLONS WATER PER PERSON PER DAY
 6000 GALLON SEPTIC TANK REQUIRED MINIMUM
 DRAINAGE FIELD SIZE DETERMINED BY PERCOLATION TEST - SEE AGRICULTURAL INFORMATION BULLETIN #274 "FARMSTEAD SEWAGE AND REFUSE DISPOSAL"
 7000 GALLON/DAY WATER REQUIREMENT
 40 GPM PUMP CAPACITY AT 25-45 POUNDS PRESSURE
 4 SHOWERS AT 5 GPM = 20
 11 BASINS AT 4 GPM = 44
 3 URINALS AT 5 GPM = 15
 10 WATER CLOSETS AT 3 GPM = 30
 TOTAL - 109 GPM
 ASSUME WORST CONDITION OF 4 SHOWERS, 2 BASINS, 1 URINAL, 2 WATER CLOSETS RUNNING AT ONE TIME OR 40 GPM AT 40 PSI
 60 GALLON HOT WATER HEATER REQUIRED GAS FIRED OR EQUIVALENT.



PLAN OF ABSORPTION FIELD SYSTEM

NO SCALE

NUMBER OF LATERAL LINES TO BE DETERMINED BY PERCOLATION TESTS AND LOCAL HEALTH AUTHORITIES

COOPERATIVE EXTENSION WORK IN AGRICULTURE AND HOME ECONOMICS		
DEPARTMENT OF AGRICULTURAL ENGINEERING		
UNIVERSITY OF MARYLAND		
AND UNITED STATES DEPARTMENT OF AGRICULTURE COOPERATING		
CAMPGROUND COMFORT STATION		
N. J.	'69	6083 SHEET 3 OF 3