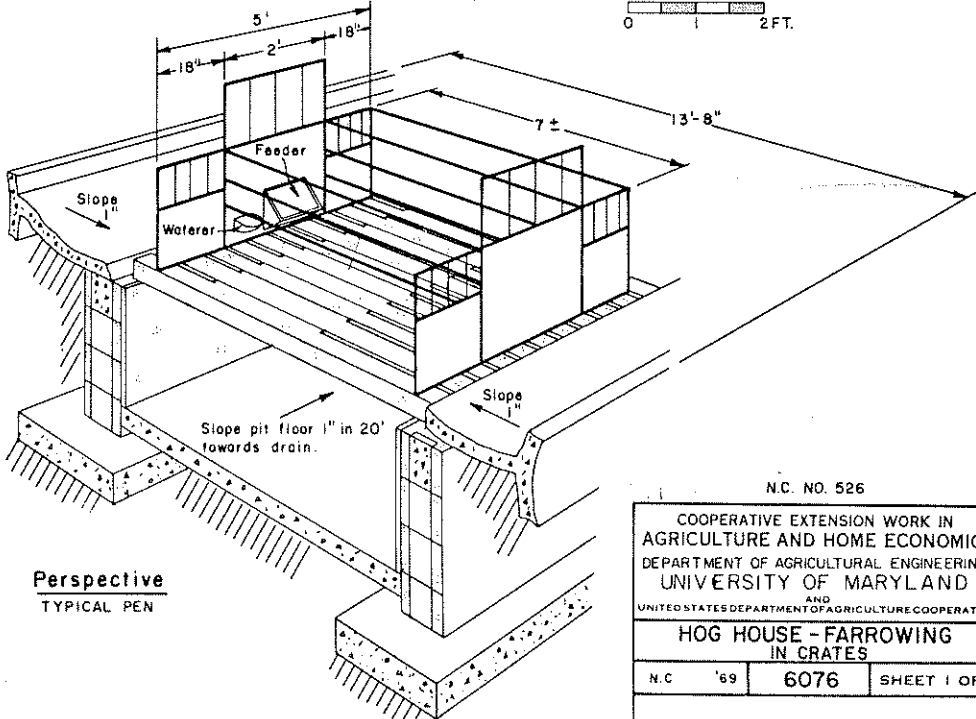
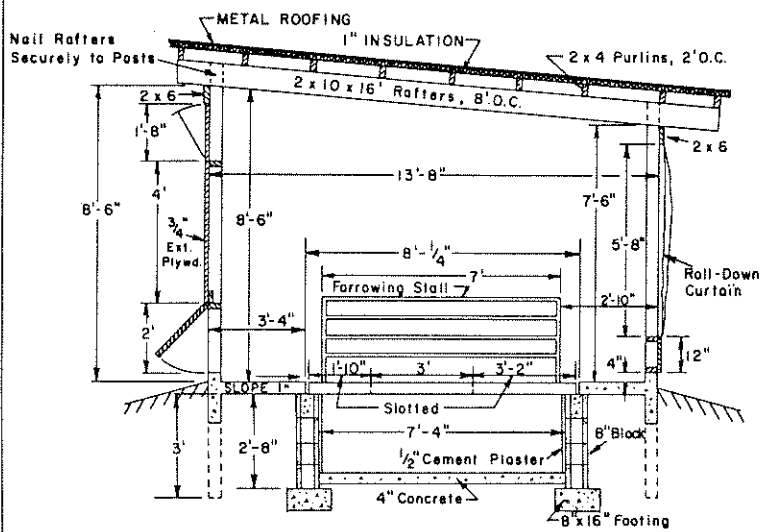
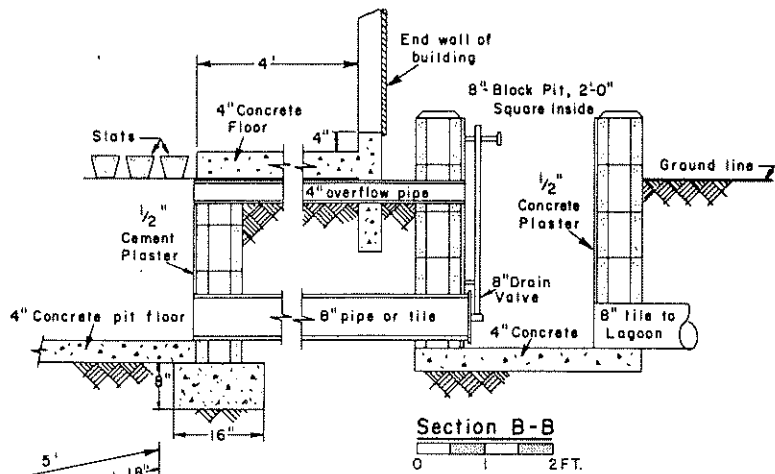
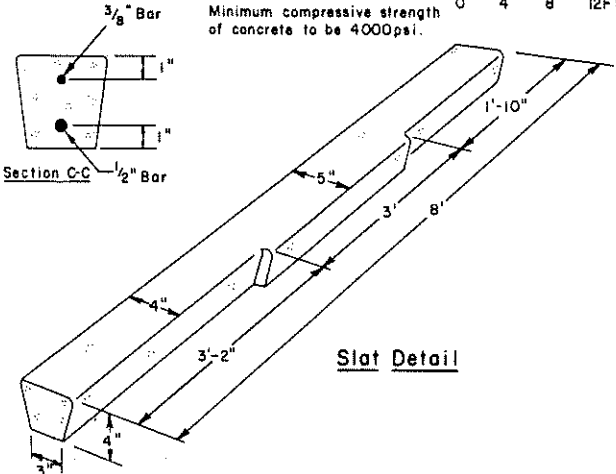


NOTE:
Minimum compressive strength of concrete to be 4000psi.



N.C. NO. 526

COOPERATIVE EXTENSION WORK IN
AGRICULTURE AND HOME ECONOMICS
DEPARTMENT OF AGRICULTURAL ENGINEERING
UNIVERSITY OF MARYLAND
AND
UNITED STATES DEPARTMENT OF AGRICULTURE COOPERATING

**HOG HOUSE - FARROWING
IN CRATES**

N.C.	'69	6076	SHEET 1 OF 1
------	-----	------	--------------