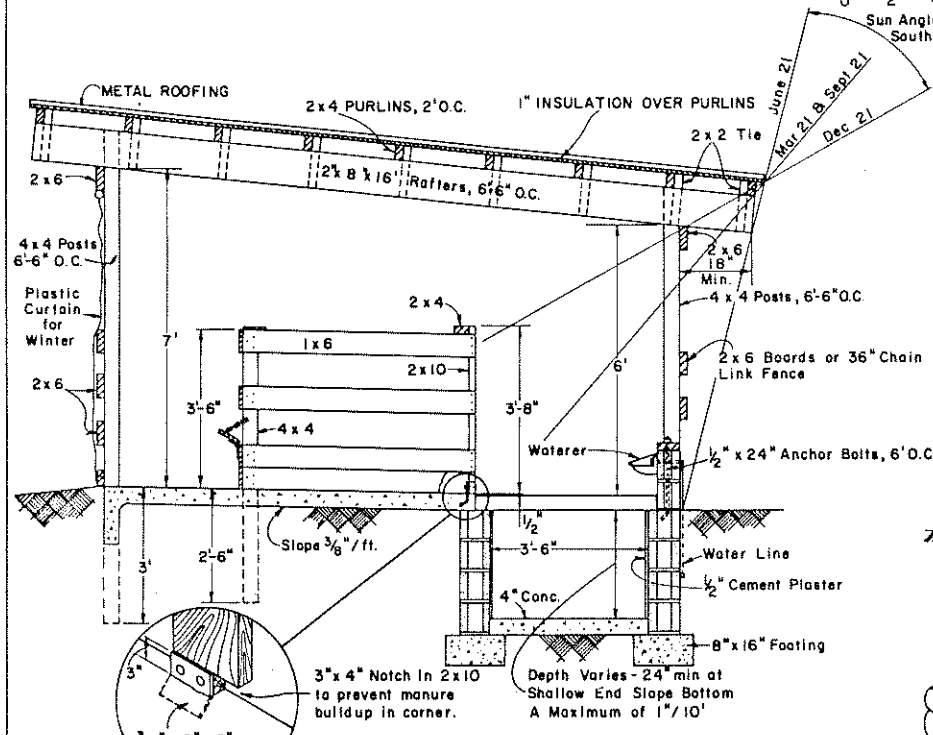
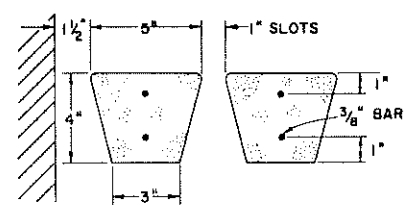


Floor Plan
0 2 4 6 FT.

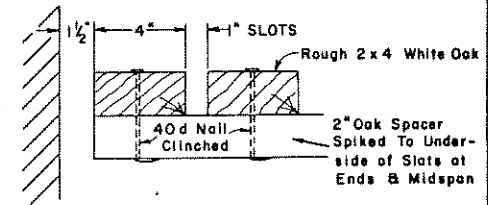
Sun Angle on South Wall
June 21
Mar 21 & Sept 21
Dec 21



Section "A-A"
0 1 2 3 IN.



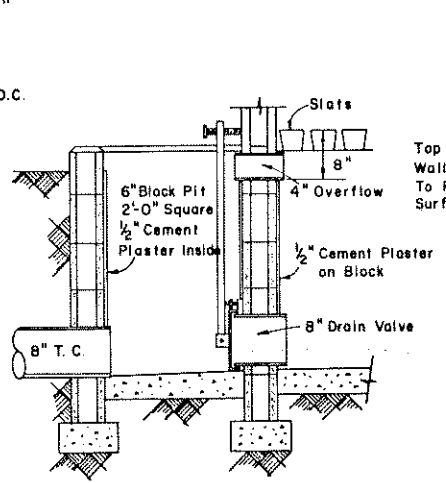
Concrete



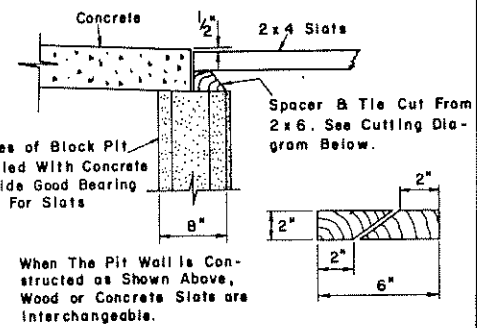
Wood

Slat Detail

Pit Construction Detail
NOT TO SCALE



Section "B-B"
0 1 2 FT.



COOPERATIVE EXTENSION WORK IN AGRICULTURE AND HOME ECONOMICS
DEPARTMENT OF AGRICULTURAL ENGINEERING
UNIVERSITY OF MARYLAND
AND
UNITED STATES DEPARTMENT OF AGRICULTURE COOPERATING

HOG HOUSE FOR GESTATING SOWS

N.C. '69 6074 SHEET 1 OF 1

N.C. NO. 524