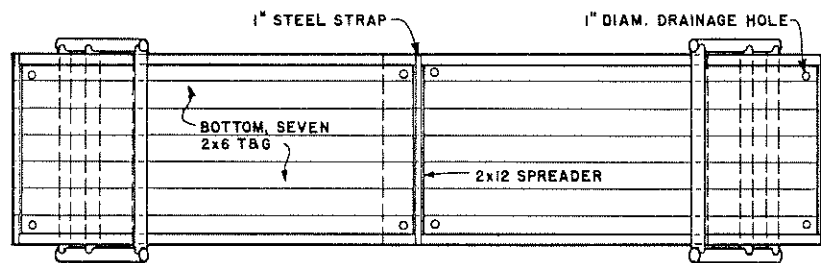
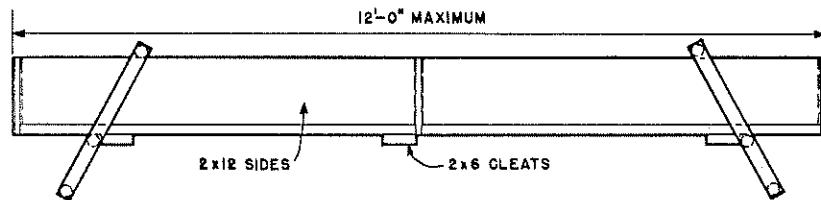


SUPPORT FRAME

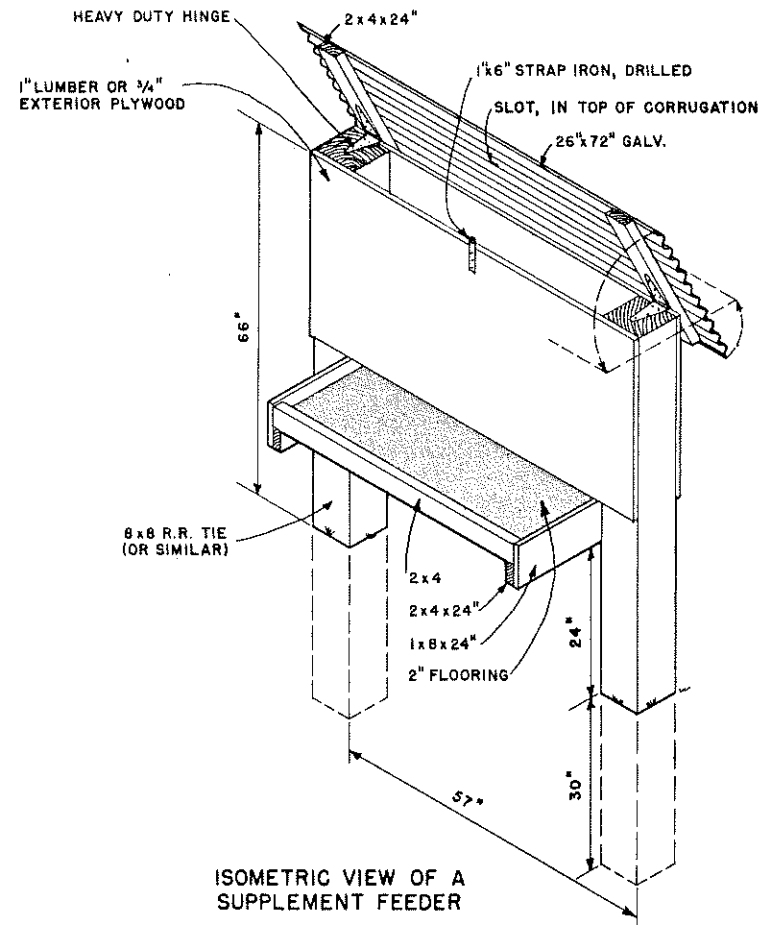


PLAN

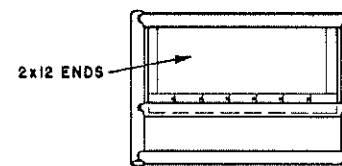


SIDE ELEVATION

PORTABLE FEED BUNK



ISOMETRIC VIEW OF A SUPPLEMENT FEEDER



END ELEVATION

NOT TO SCALE.

COOPERATIVE EXTENSION WORK IN
 AGRICULTURE AND HOME ECONOMICS
 DEPARTMENT OF AGRICULTURAL ENGINEERING
 UNIVERSITY OF MARYLAND
 AND
 UNITED STATES DEPARTMENT OF AGRICULTURE COOPERATING

CATTLE FEEDERS

CAL. '69 EX. 6066 SHEET 1 OF 1

CAUTION: DO NOT USE PAINT CONTAINING LEAD ON THESE FEEDERS.