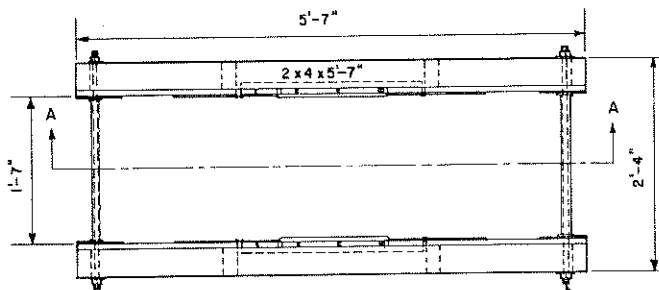
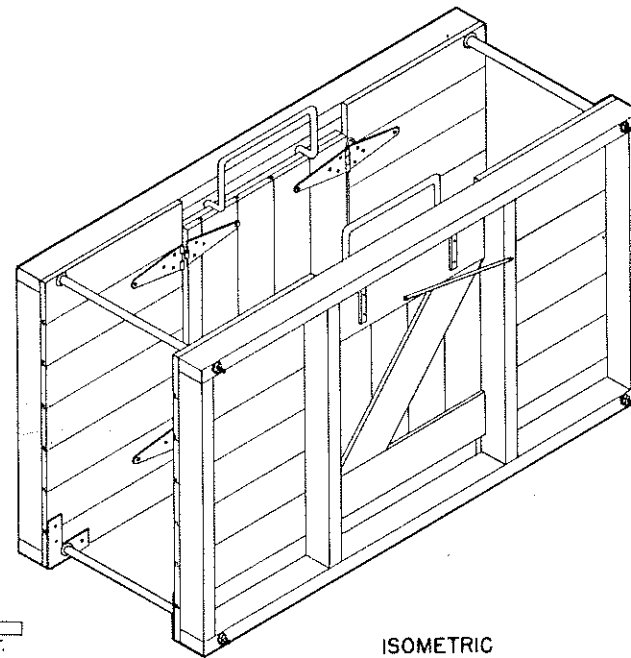


SECTION A-A



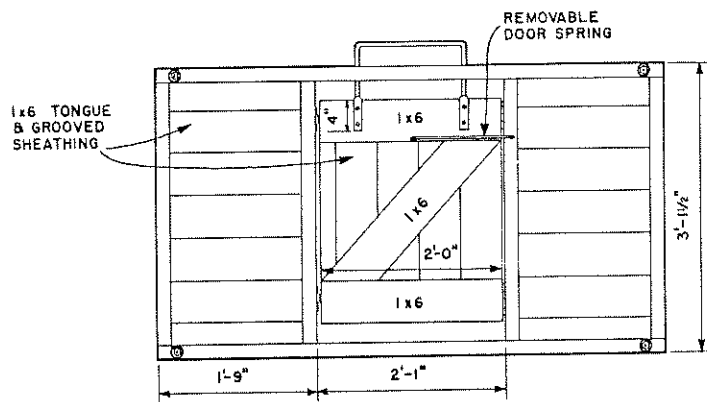
PLAN

3/8" ROD 2'-7" LONG  
THREAD 2" ON EACH  
END. WITH TWO 3/4"  
STANDARD WASHERS.

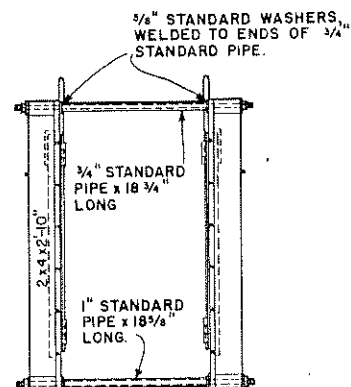


ISOMETRIC

SCALE: 0 1 FT.



ELEVATION



END ELEVATION

NOTE: (FOR BOTH DOORS)  
DOOR SPRING AND HINGE PIN ROD  
CAN BE MOVED TO OTHER EDGE  
OF DOOR TO REVERSE DIRECTION

COOPERATIVE EXTENSION WORK IN AGRICULTURE AND HOME ECONOMICS DEPARTMENT OF AGRICULTURAL ENGINEERING UNIVERSITY OF MARYLAND AND UNITED STATES DEPARTMENT OF AGRICULTURE COOPERATING		
<b>CUTTING GATES FOR SHEEP</b> THREE-WAY		
MONT. & ORE. '68	EX. 6058	SHEET 1 OF 1