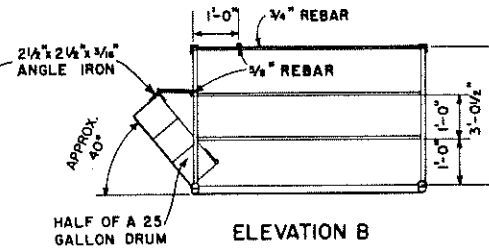
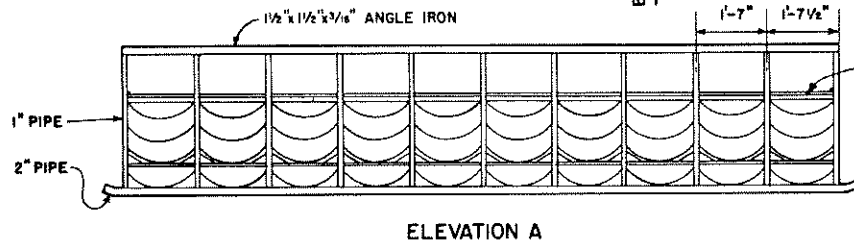
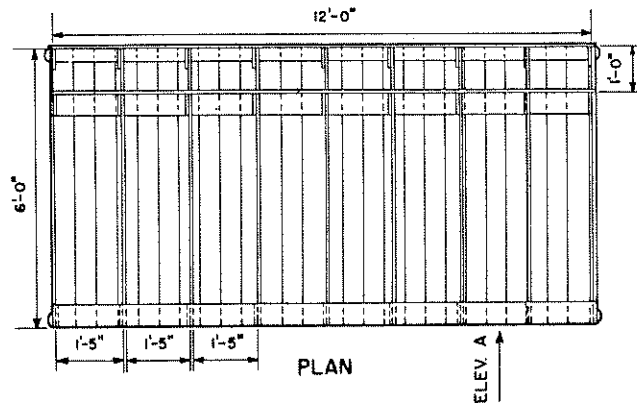


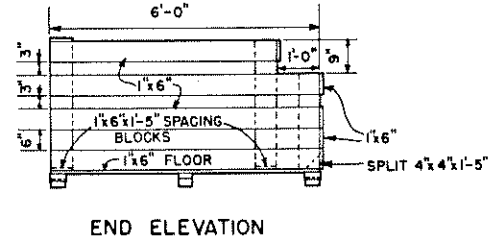
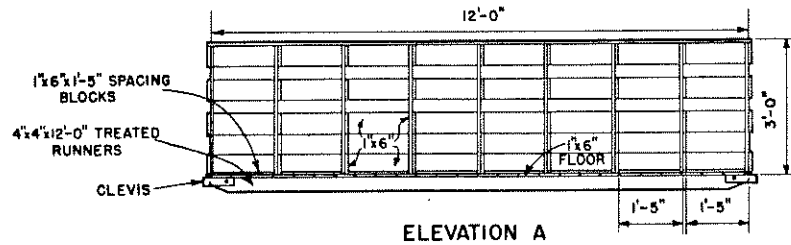
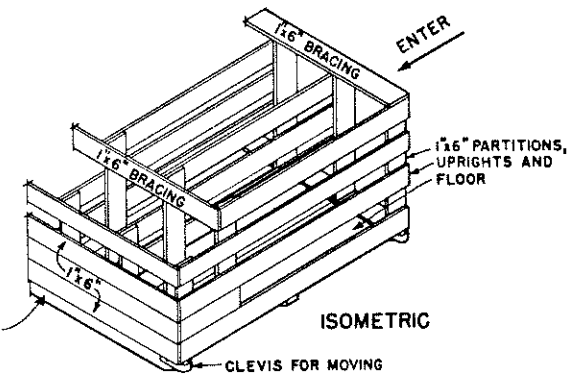
- NOTES:
1. WELD ALL JOINTS.
 2. BUTT WELD PIPE JOINTS.
 3. USE REINFORCING BARS OR PIPE FOR CONSTRUCTION.



METAL CONSTRUCTION



WOOD CONSTRUCTION



PORTABLE SOW FEEDERS