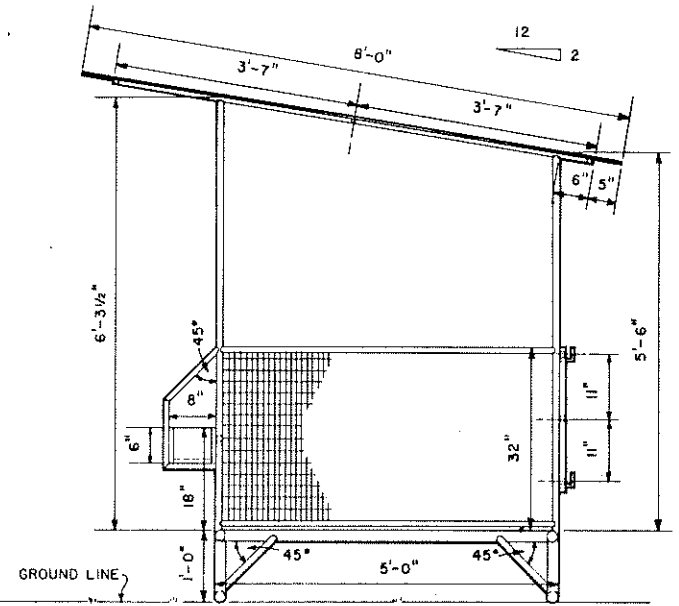
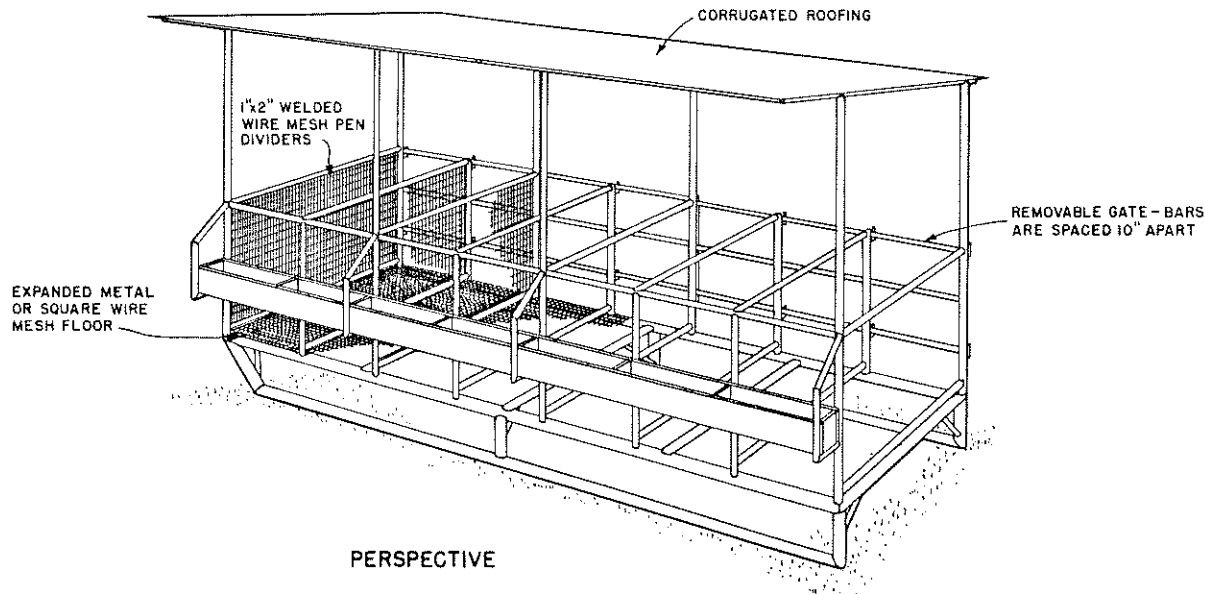


FRONT VIEW
SCALE: 0 1 2 FT.



END VIEW
SCALE: 0 1 2 FT.



PERSPECTIVE

NOTES:

- USE 1 1/2-INCH PIPE FOR THE SLED FRAME (1.9 INCH O.D.).
- USE 3/4-INCH PIPE FOR THE PEN FRAMEWORK (1.0 INCH O.D.).
- EXTERIOR PLYWOOD MAY BE FASTENED TO EACH END TO PROTECT CALVES FROM WIND.

COOPERATIVE EXTENSION WORK IN
AGRICULTURE AND HOME ECONOMICS
DEPARTMENT OF AGRICULTURAL ENGINEERING
UNIVERSITY OF MARYLAND
AND
UNITED STATES DEPARTMENT OF AGRICULTURE COOPERATING

ELEVATED CALF PENS

CALIF. '68 EX. 6052 SHEET 1 OF 1