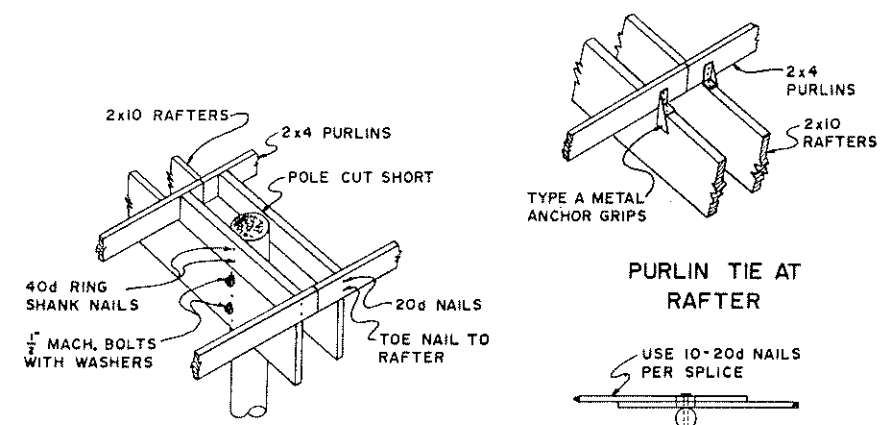
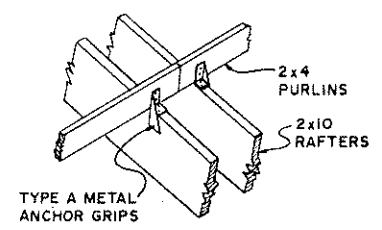


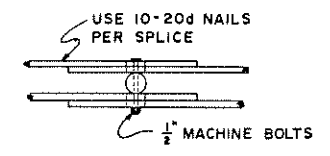
PLAN
SCALE: 0 4 8 12 FT.



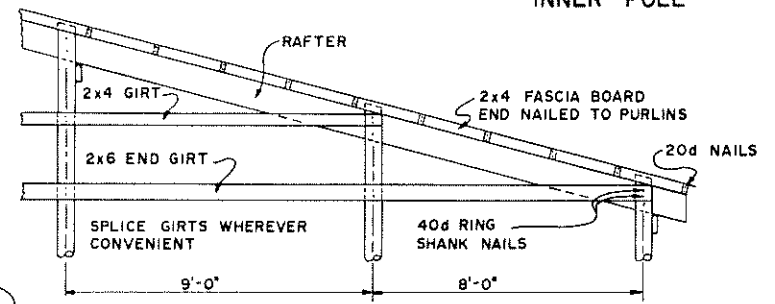
PURLIN TIE AT POLES



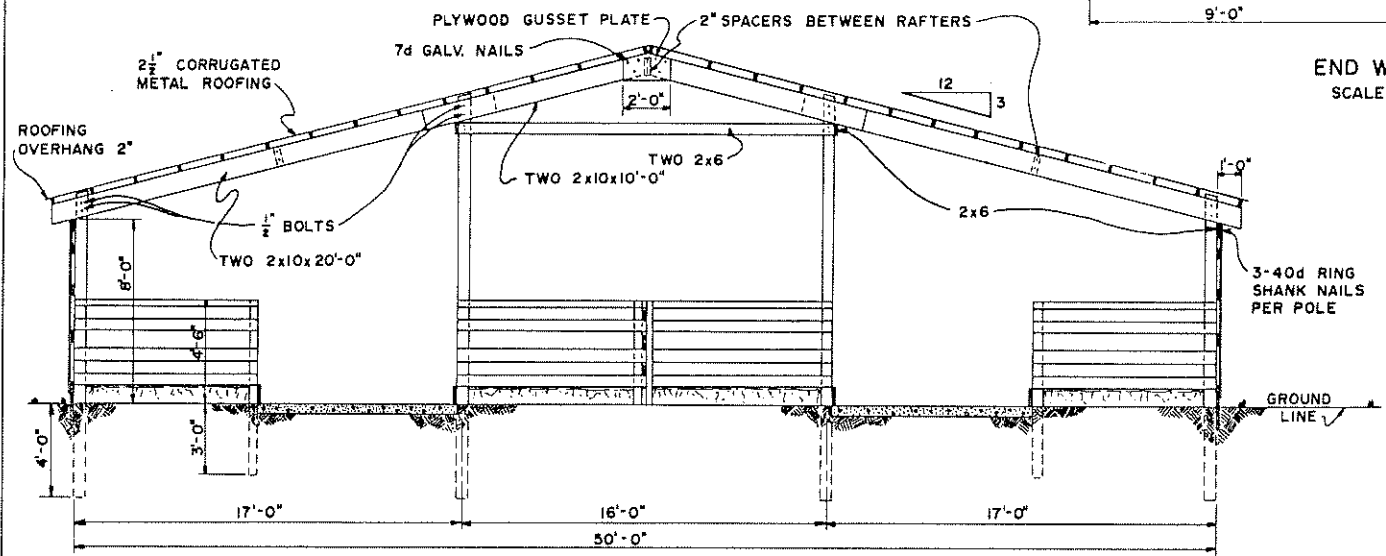
PURLIN TIE AT RAFTER



RAFTER ATTACHMENT AT INNER POLE



END WALL FRAMING
SCALE: 0 1 2 3 4 FT.



SECTION A-A
SCALE: 0 2 4 6 FT.

DESIGN LIVE LOAD 20 LB. SQ. FT.

- NOTE:
1. USE STANDARD OR BETTER GRADE DOUGLAS FIR FOR RAFTERS, NATIVE PINE OR FIR FOR PURLINS AND GIRTS.
 2. FOR ROOF, ORDER ROOFING MATERIAL SO THAT LAPS ARE OVER PURLINS - ALLOW AT LEAST 6" OVERLAP AT ENDS OF SHEETS. SPACING OF PURLINS NOT OVER 24"

COOPERATIVE EXTENSION WORK IN
AGRICULTURE AND HOME ECONOMICS
DEPARTMENT OF AGRICULTURAL ENGINEERING
UNIVERSITY OF MARYLAND
AND
UNITED STATES DEPARTMENT OF AGRICULTURE COOPERATING

FREE-STALL BARN FOR CATTLE

WYO. '68 EX. 6050 SHEET 1 OF 1