

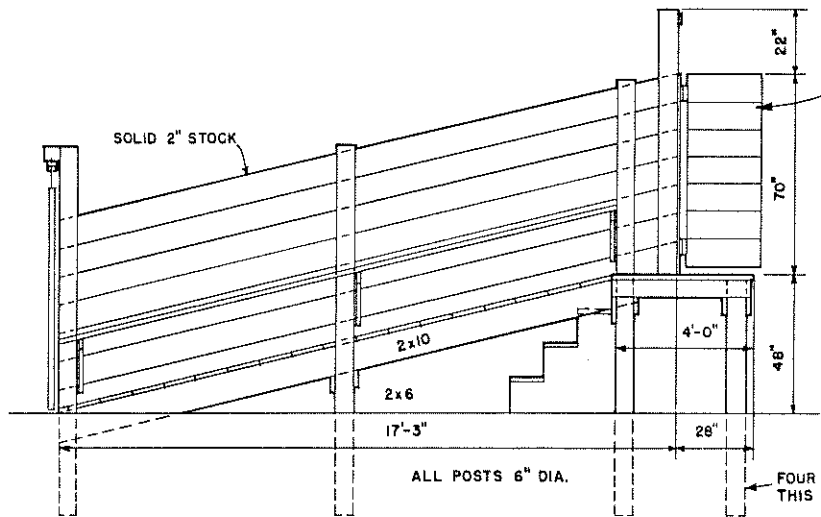
GATES - 12' LONG
EXCEPT 'A'



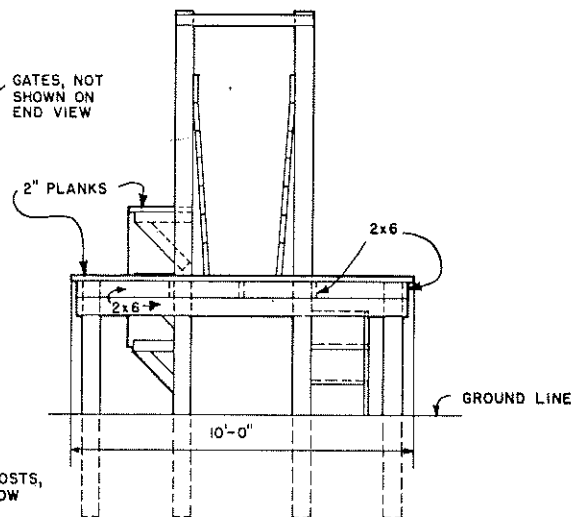
DESIGNED BY: AL LANE

ARIZ. PLAN A136

COOPERATIVE EXTENSION WORK IN AGRICULTURE AND HOME ECONOMICS DEPARTMENT OF AGRICULTURAL ENGINEERING UNIVERSITY OF MARYLAND AND UNITED STATES DEPARTMENT OF AGRICULTURE COOPERATING		
CORRAL WITH CURVED CHUTE		
ARIZ. & USDA '68	EX. 6049	SHEET 1 OF 2



SIDE VIEW

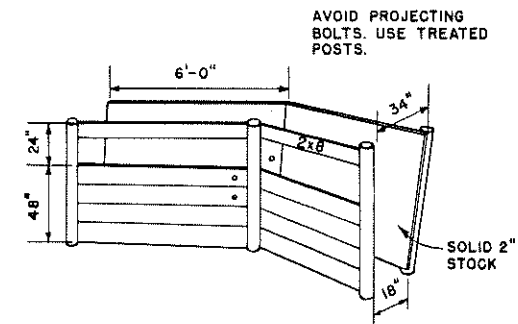


END VIEW

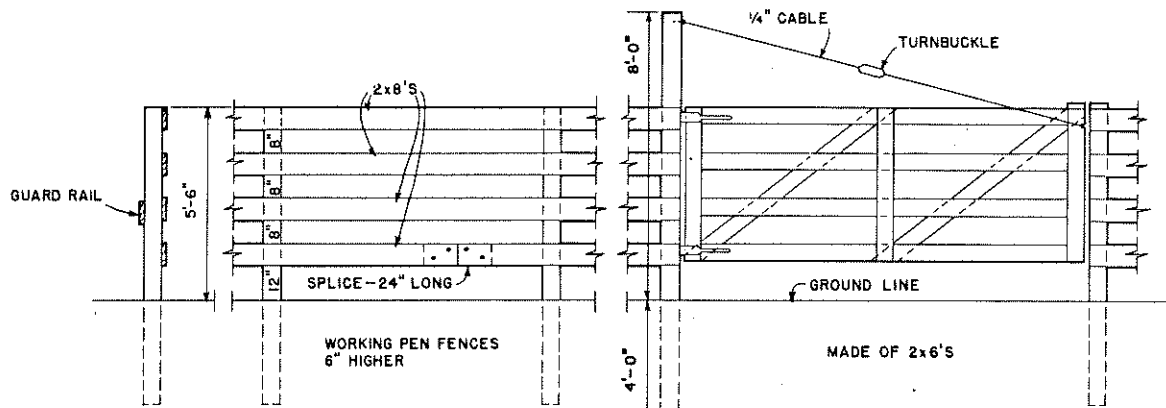
LOADING CHUTE
 SCALE: 0 1 2 3 4 FT.
 INSTALL CLEATS ON MAN AND ANIMAL RAMPS



PLAN AT HINGE



CHUTE SECTION



FENCE

12' GATE

SCALE: 0 1 2 3 4 FT.

COOPERATIVE EXTENSION WORK IN
 AGRICULTURE AND HOME ECONOMICS
 DEPARTMENT OF AGRICULTURAL ENGINEERING
 UNIVERSITY OF MARYLAND
 AND
 UNITED STATES DEPARTMENT OF AGRICULTURE COOPERATING

**CORRAL
 WITH CURVED CHUTE**

ARIZ. & USDA '68 EX. 6049 SHEET 2 OF 2