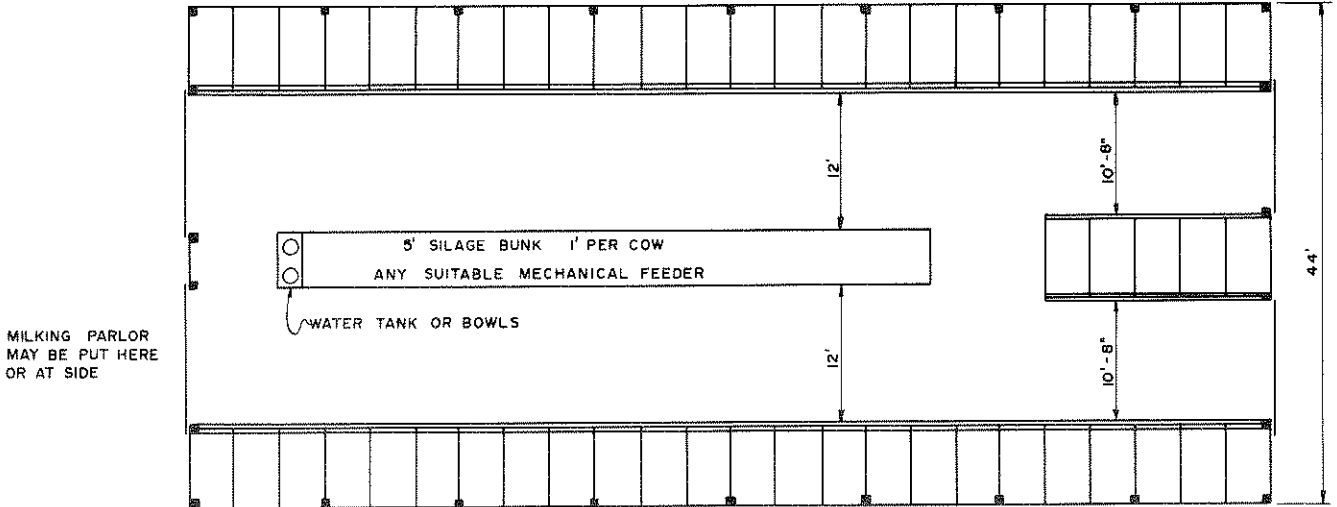


48' BARN FOR FOUR ROWS OF FREE STALLS  
CENTER FEEDER IF DESIRED

**GENERAL NOTES**

1. USE TRUSSES BY REPUTABLE MFR. DESIGNED FOR 30 LBS. PER SQ. FT. TOTAL LOAD.
2. CONSULT ON ALL DETAILS WITH DAIRY INSPECTION AUTHORITIES BEFORE CONSTRUCTION.



MILKING PARLOR  
MAY BE PUT HERE  
OR AT SIDE

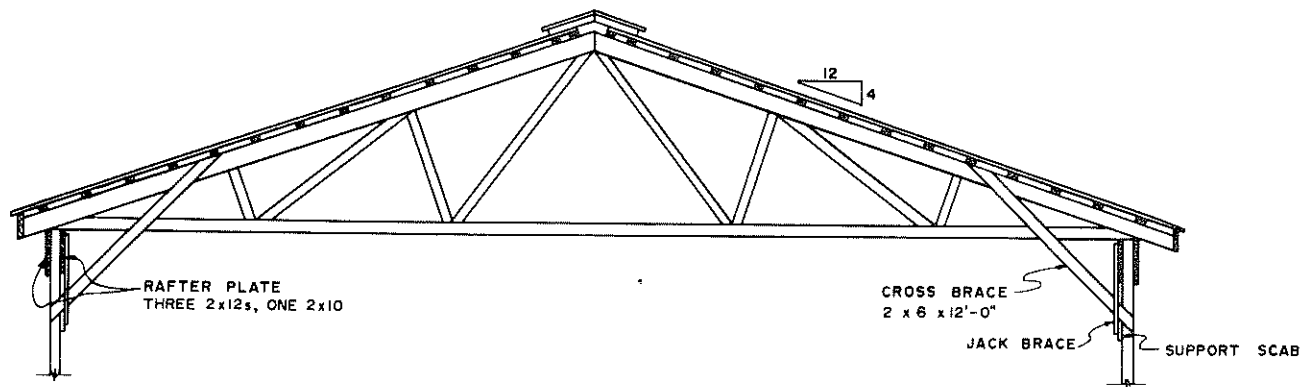
44' BARN FOR TWO ROWS FREE STALLS, CENTER FEEDER

MAY USE POLE BUILDING, LAMINATED RAFTERS  
OR PRE-FAB METAL BUILDING

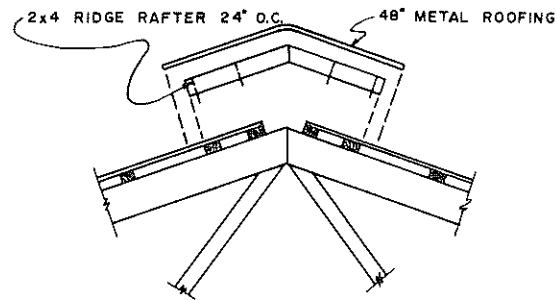
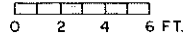
COOPERATIVE EXTENSION WORK IN  
AGRICULTURE AND HOME ECONOMICS  
DEPARTMENT OF AGRICULTURAL ENGINEERING  
UNIVERSITY OF MARYLAND  
AND  
UNITED STATES DEPARTMENT OF AGRICULTURE COOPERATING

**FREE STALL BARN**  
**40 FEET AND 48 FEET WIDE**

PA. '67 EX. 6042 SHEET 1 OF 2

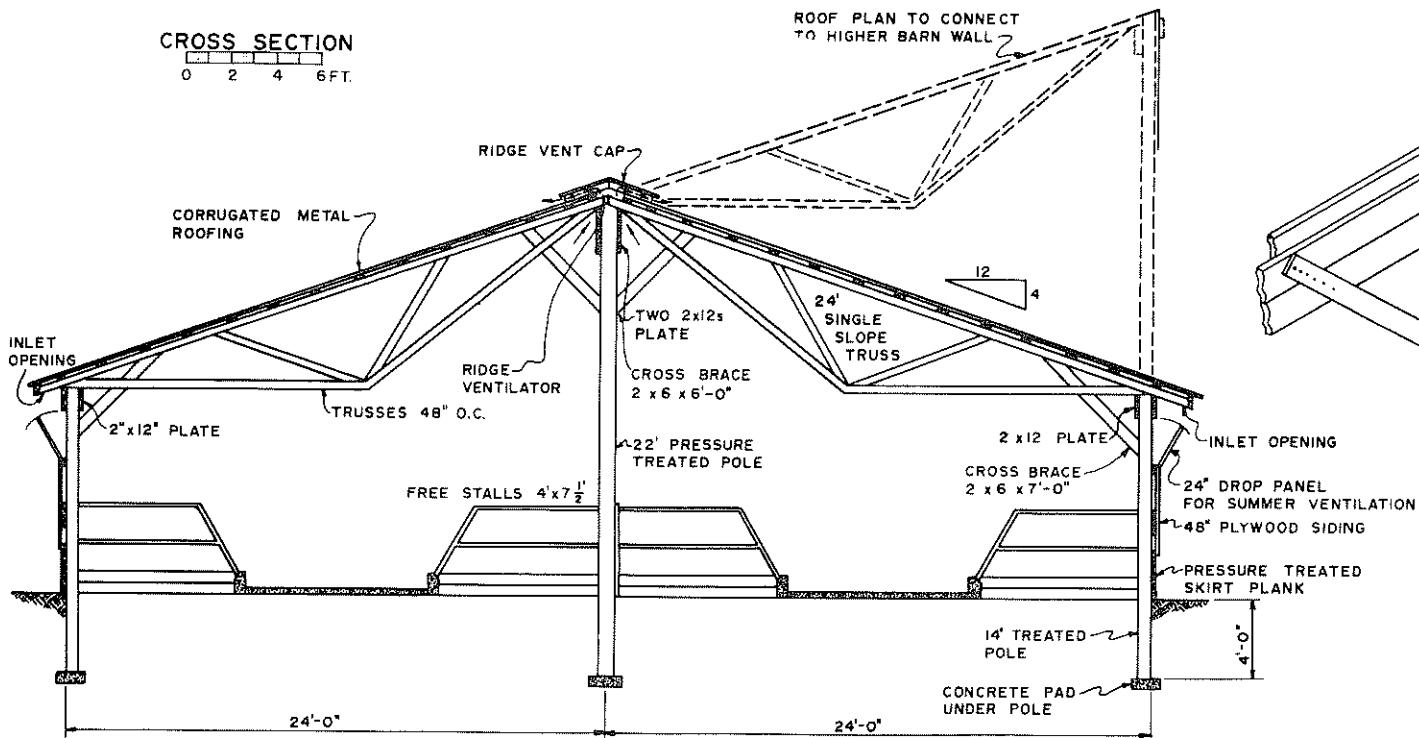


ALTERNATE ROOF PLAN

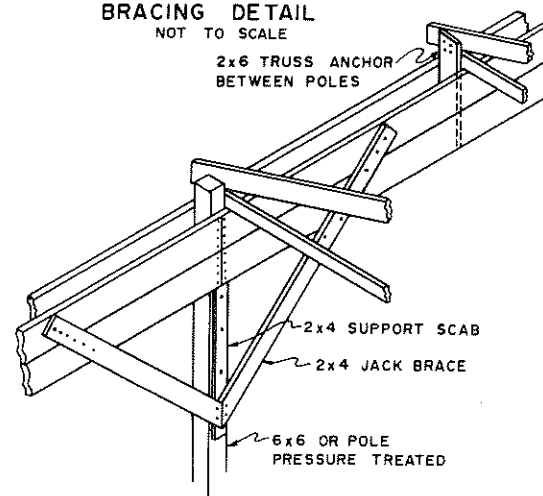


RIDGE VENT CAP  
DETAIL  
NOT TO SCALE

CROSS SECTION  
0 2 4 6 FT.



BRACING DETAIL  
NOT TO SCALE



COOPERATIVE EXTENSION WORK IN  
AGRICULTURE AND HOME ECONOMICS  
DEPARTMENT OF AGRICULTURAL ENGINEERING  
UNIVERSITY OF MARYLAND  
AND  
UNITED STATES DEPARTMENT OF AGRICULTURE COOPERATING

**FREE STALL BARN**  
40 FEET AND 48 FEET WIDE

PA. '67	EX. 6042	SHEET 2 OF 2
---------	----------	--------------