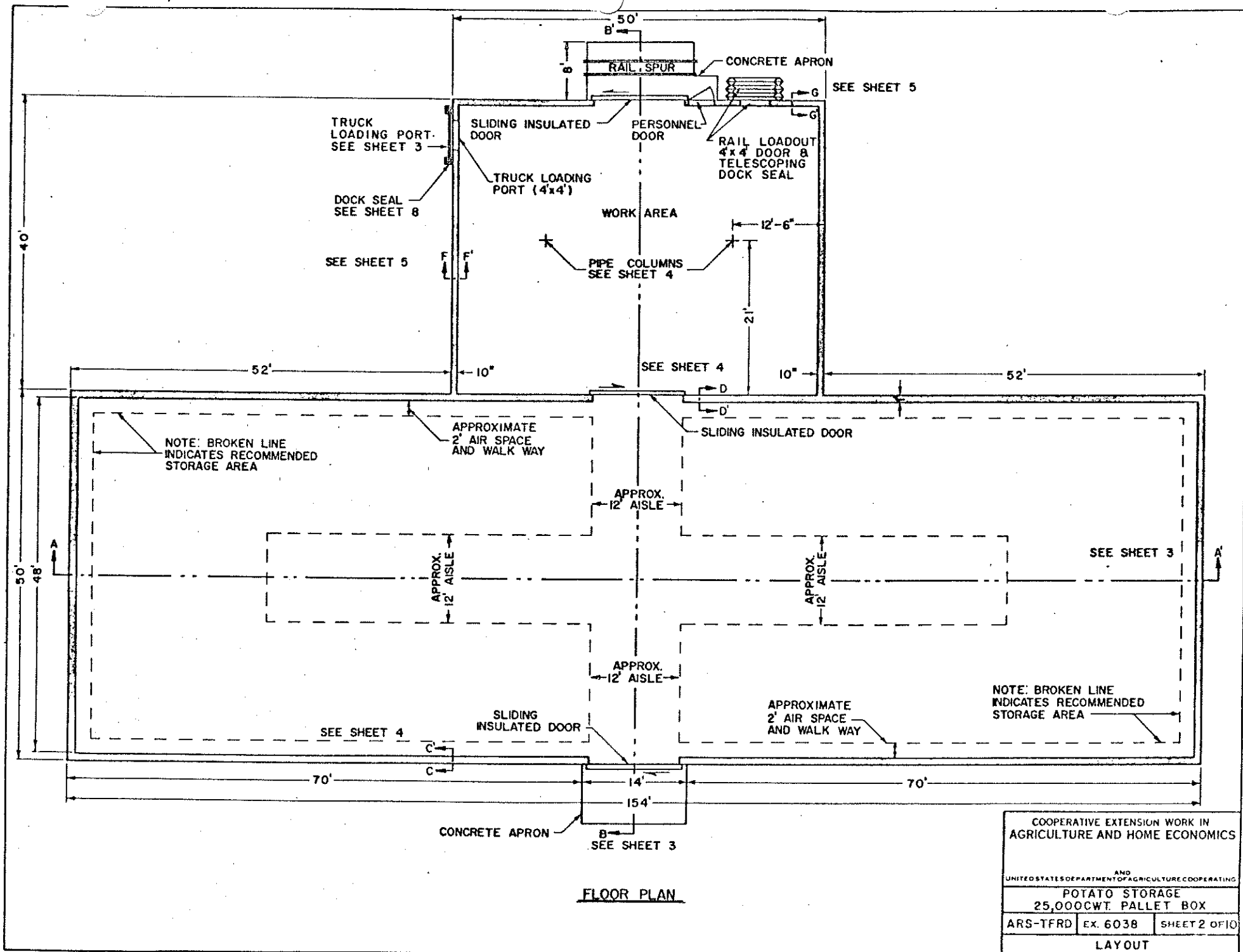


THE OPERATOR PLANNING TO BUILD A STORAGE SHOULD RETAIN THE SERVICES OF A PROFESSIONAL ENGINEER TO DESIGN THE STORAGE TO MEET THE OPERATOR'S PARTICULAR NEEDS AND TO MEET LOCAL CONDITIONS, AS WELL AS TO SUPERVISE CONSTRUCTION.

NOTE ADDED-SHEET 1  
REVISED: 5-2-69

COOPERATIVE EXTENSION WORK IN AGRICULTURE AND HOME ECONOMICS		
AND UNITED STATES DEPARTMENT OF AGRICULTURE COOPERATING		
POTATO STORAGE 25,000CWT. PALLET BOX		
ARS-TFRD	EX. 6038	SHEET 1 OF 10
PERSPECTIVE		



FLOOR PLAN

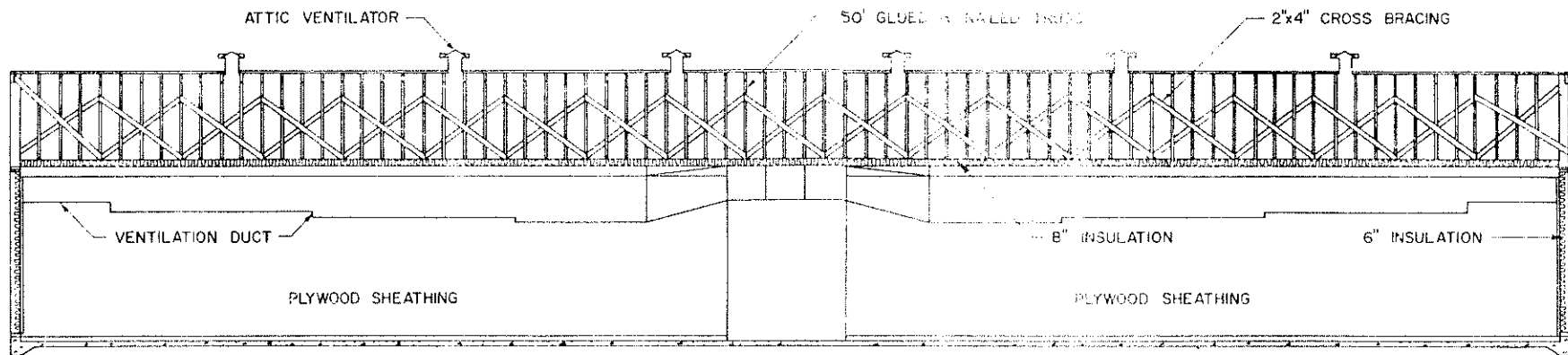
COOPERATIVE EXTENSION WORK IN  
 AGRICULTURE AND HOME ECONOMICS

AND  
 UNITED STATES DEPARTMENT OF AGRICULTURE COOPERATING

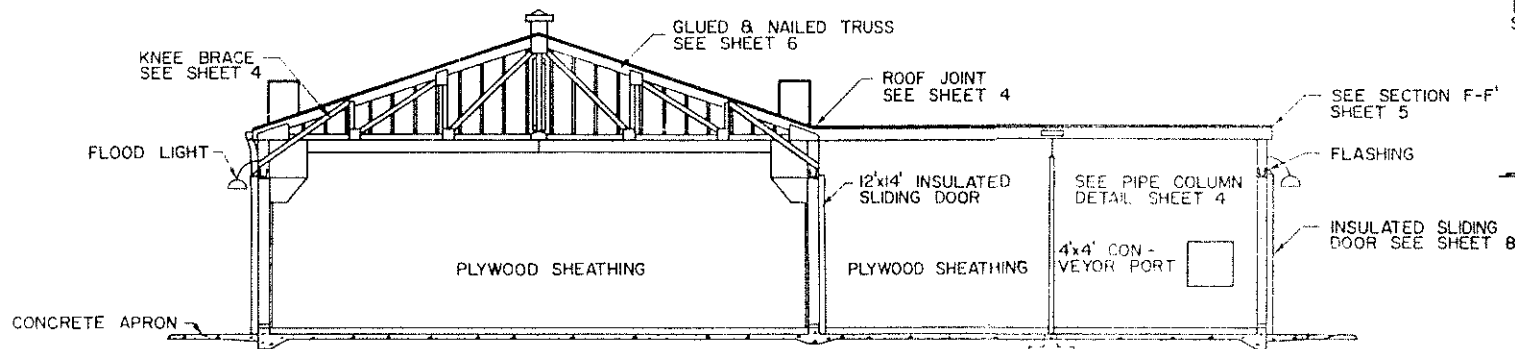
POTATO STORAGE  
 25,000 CWT. PALLET BOX

ARS-TFRD | EX. 6038 | SHEET 2 OF 10

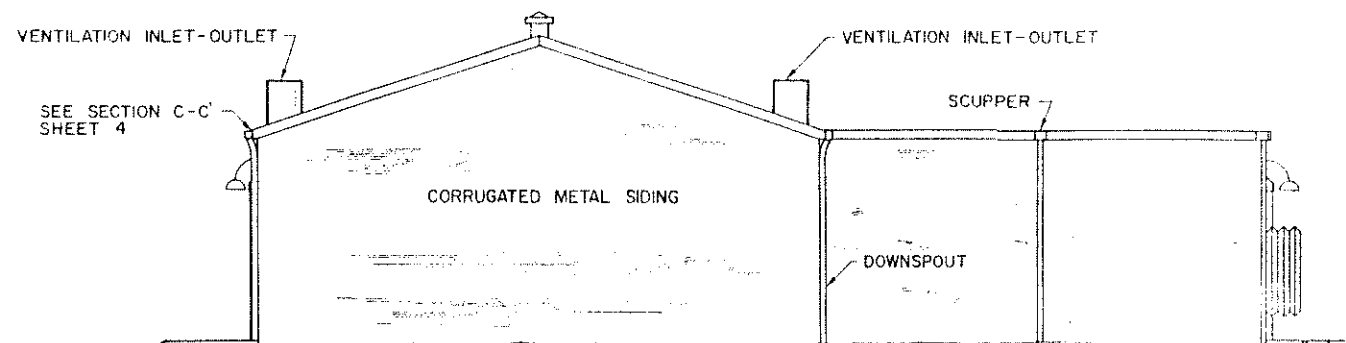
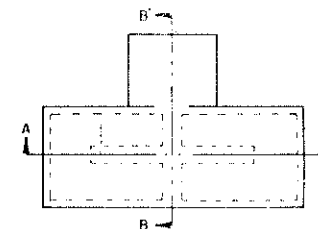
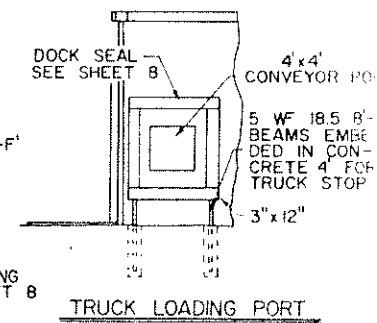
LAYOUT



SECTION A-A



SECTION B-B



SIDE ELEVATION

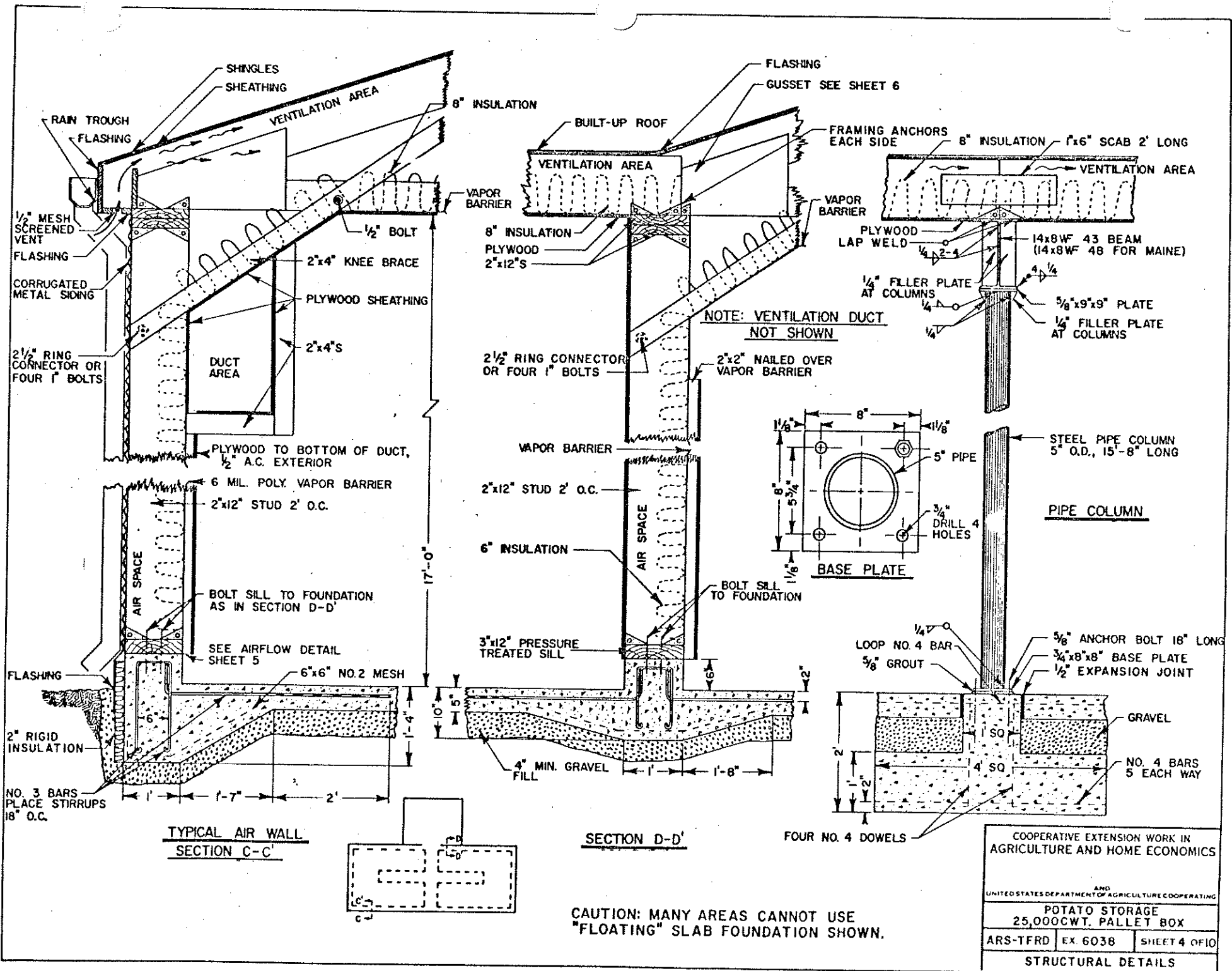
SCALE  $\frac{1}{8}" = 1'$

COOPERATIVE EXTENSION WORK IN  
AGRICULTURE AND HOME ECONOMIC  
SCIENCE  
STATE OF NORTH DAKOTA  
NORTH DAKOTA STATE UNIVERSITY  
OF SCIENCE AND ARTS  
UNITED STATES DEPARTMENT OF AGRICULTURE

POTATO STORAGE  
25,000CWT. PALLET BOX

ARS-TFRD Ex 6038 SHEET 3 OF 20

ELEVATIONS & SECTIONS



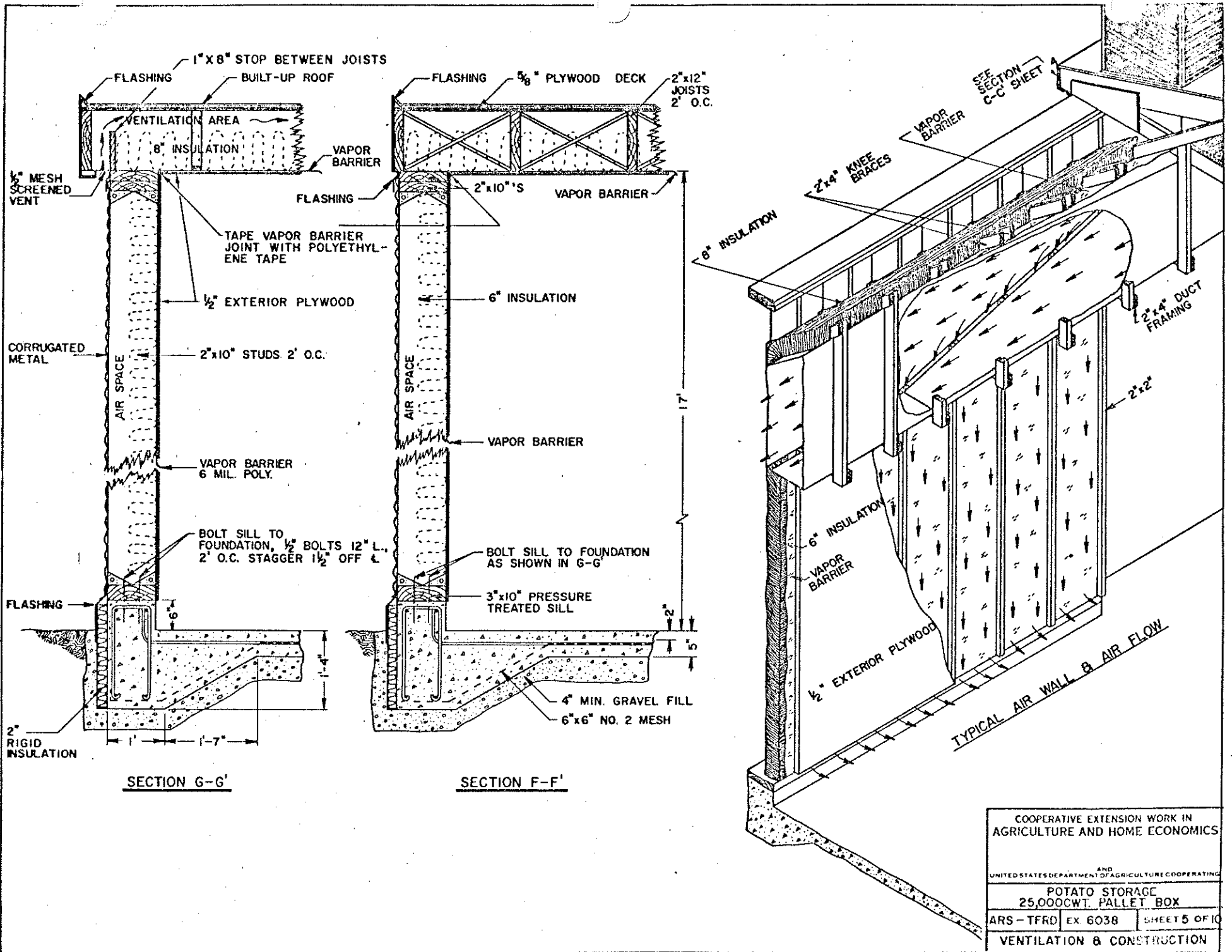
COOPERATIVE EXTENSION WORK IN  
AGRICULTURE AND HOME ECONOMICS

AND  
UNITED STATES DEPARTMENT OF AGRICULTURE COOPERATING

POTATO STORAGE  
25,000CWT. PALLET BOX

ARS-TFRD	EX 6038	SHEET 4 OF 10
----------	---------	---------------

STRUCTURAL DETAILS



**SECTION G-G'**

**SECTION F-F'**

TYPICAL AIR WALL & AIR FLOW

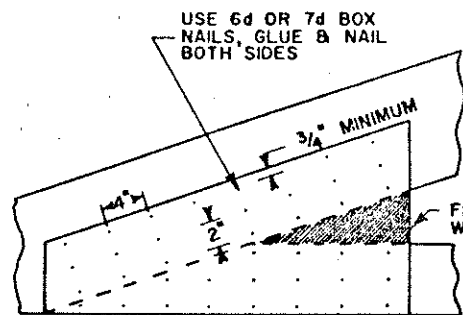
COOPERATIVE EXTENSION WORK IN  
 AGRICULTURE AND HOME ECONOMICS

AND  
 UNITED STATES DEPARTMENT OF AGRICULTURE COOPERATING

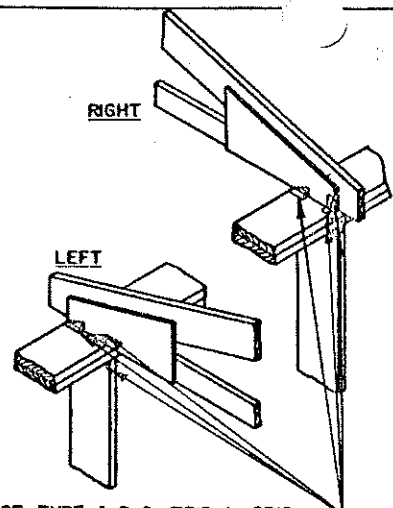
POTATO STORAGE  
 25,000 CWT. PALLET BOX

ARS - TFRD EX. 6038 SHEET 5 OF 10

VENTILATION & CONSTRUCTION



NAILING DETAIL FOR END GUSSET. NAIL OTHER GUSSETS, USING SAME EDGE, ROW & COLUMN SPACINGS FOR NAILS



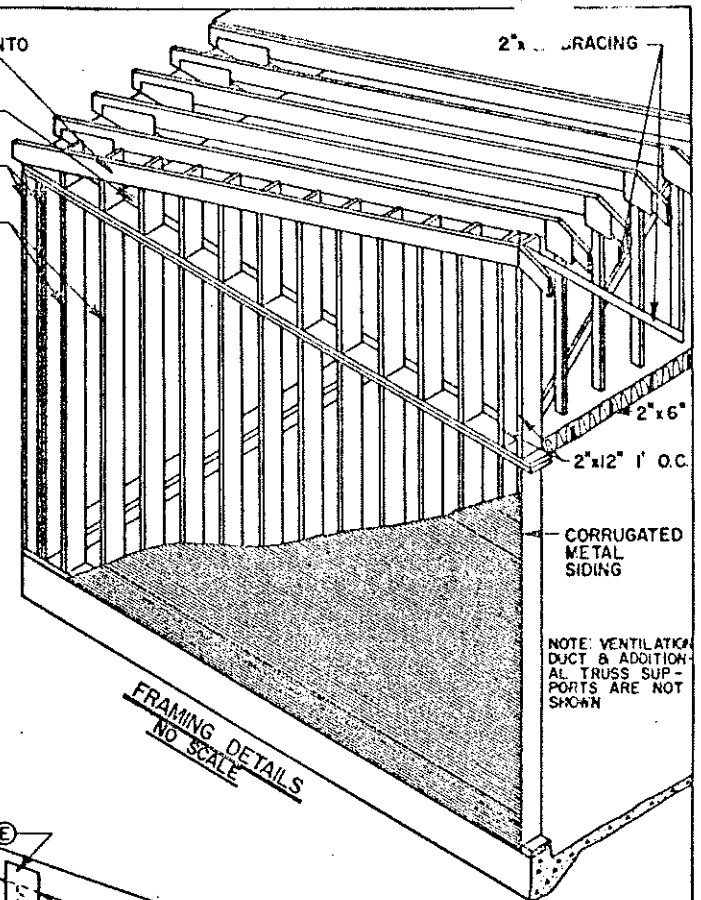
USE TYPE A, B, C, TRIP-L-GRIP CONNECTORS AS SHOWN, OR EQUIVALENT NO SCALE

2"x12" NOTCHED INTO 2"x12" STUDS

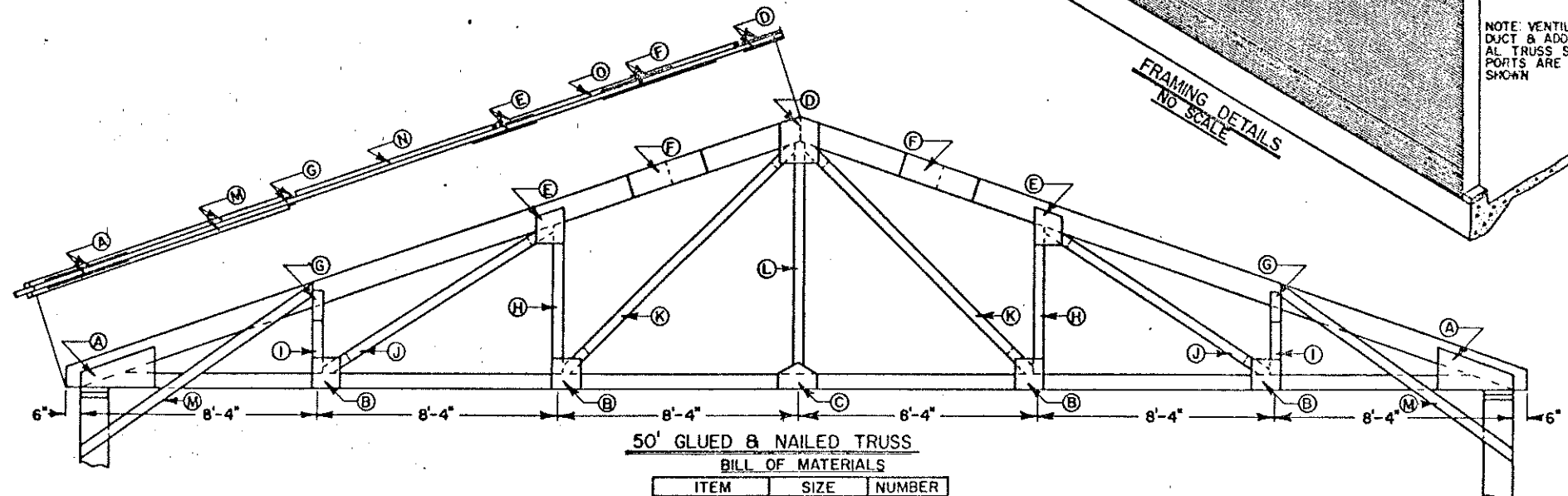
8" INSULATION

2"x12"S 1' O.C.

2"x12"S 2' O.C.



FRAMING DETAILS NO SCALE



BILL OF MATERIALS

ITEM	SIZE	NUMBER
A	5/8" x 6" x 32'	4
B	3/8" x 12" x 12'	8
C	3/8" x 10" x 16'	2
D	3/8" x 16" x 16'	2
E	3/8" x 12" x 12'	4
F	1" x 10" x 32'	4
G	1" x 4" x 12'	4
H	2" x 4" x 5'-1"	2
I	2" x 4" x 2'-4"	2
J	2" x 4" x 9'-2"	2
K	2" x 4" x 10'-9"	2
L	2" x 4" x 7'-8"	1
M	2" x 4" x 10'	4
N STIFFENER	2" x 4" x 7'-9"	2
O STIFFENER	2" x 4" x 9'-6"	2
UPPER CHORD	2" x 10" x 27'	2
LOWER CHORD	2" x 16" x 25'	2

NOTE: TRUSS IS ADAPTED FROM PLANS PUBLISHED BY MIDWEST PLAN SERVICE BULLETIN NUMBER 9

COOPERATIVE EXTENSION WORK IN AGRICULTURE AND HOME ECONOMICS

AND UNITED STATES DEPARTMENT OF AGRICULTURE COOPERATING

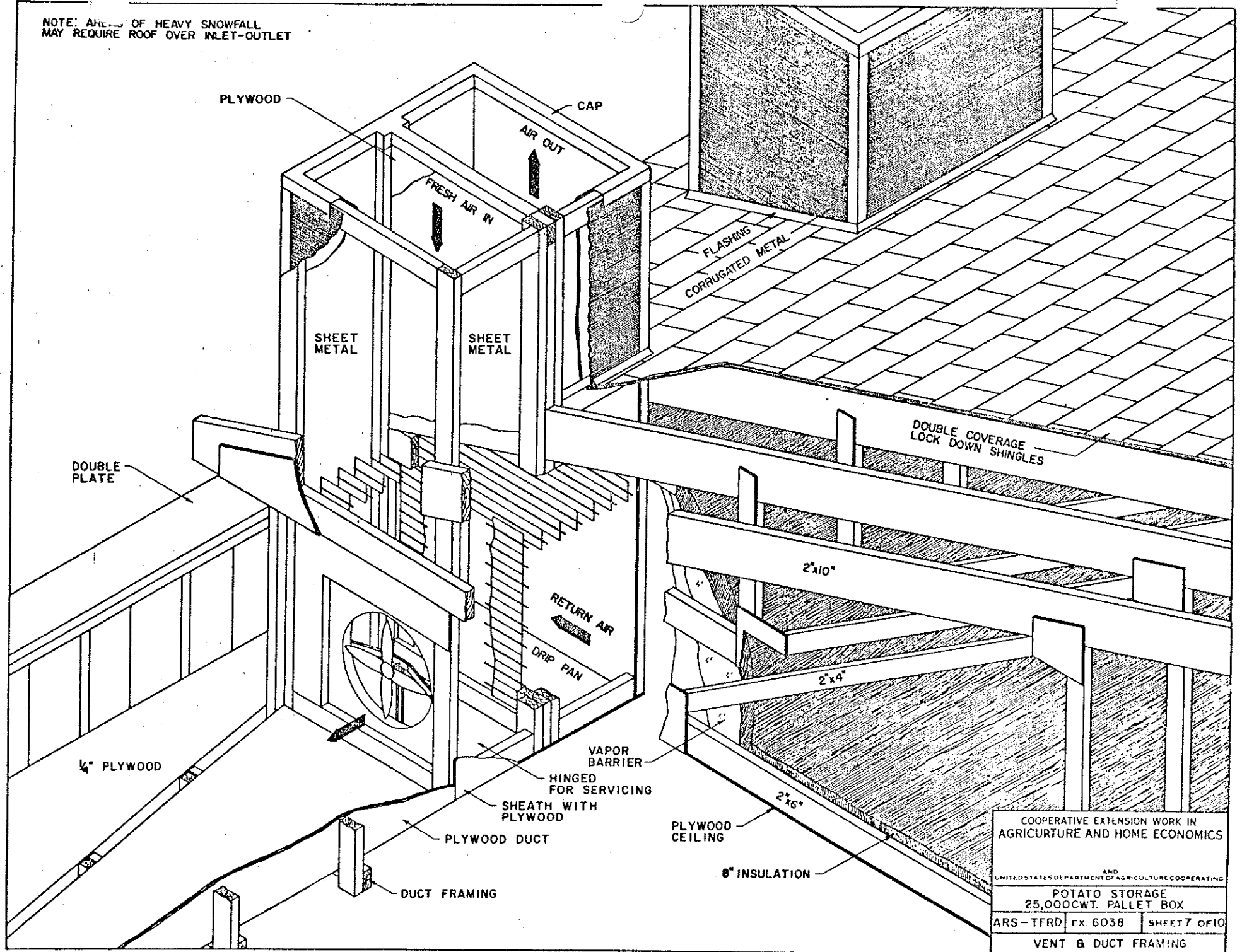
POTATO STORAGE

25,000CWT. PALLET BOX

ARS-TFRD EX. 6038 SHEET 6 OF 10

TRUSS & FRAMING DETAILS

NOTE: AREA OF HEAVY SNOWFALL  
MAY REQUIRE ROOF OVER INLET-OUTLET



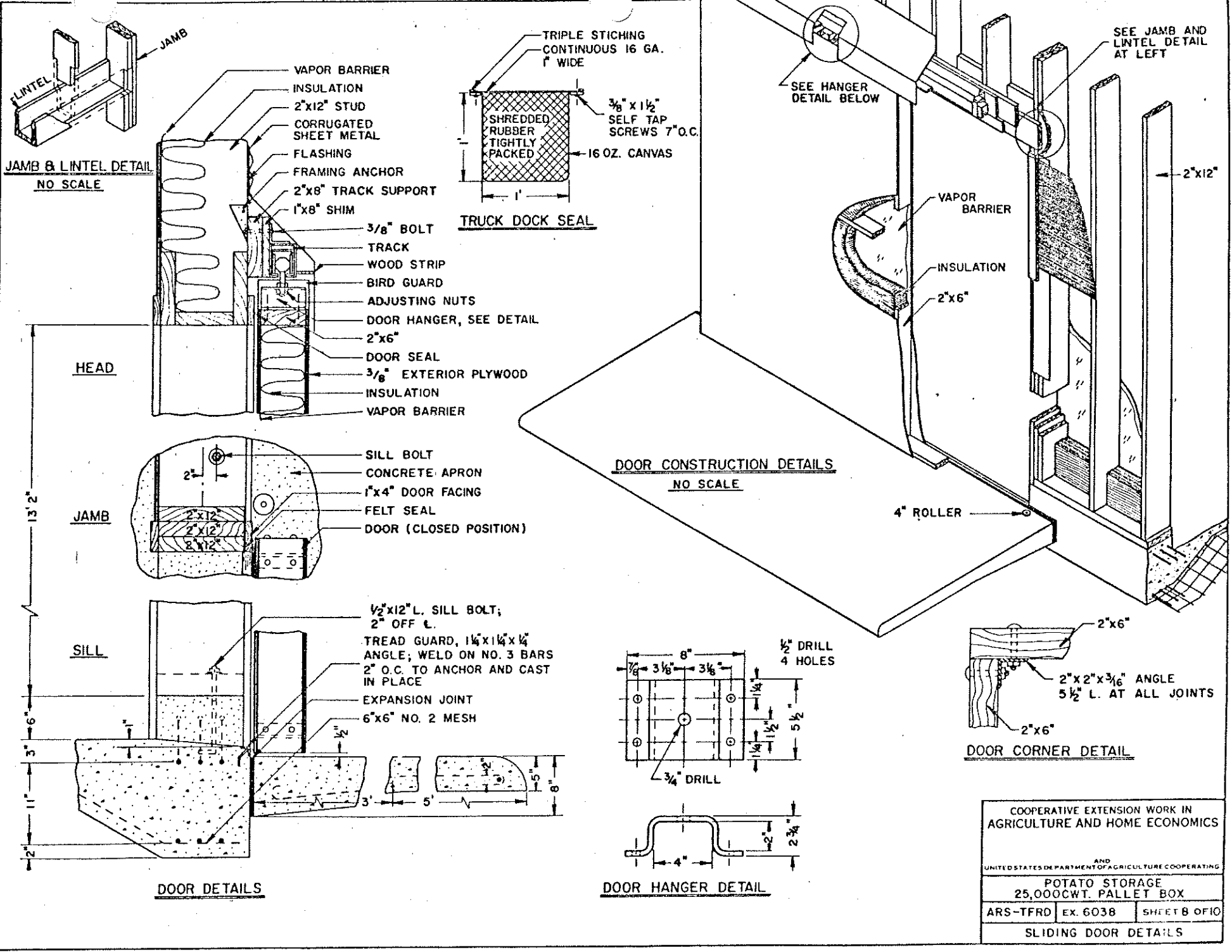
COOPERATIVE EXTENSION WORK IN  
AGRICULTURE AND HOME ECONOMICS

AND  
UNITED STATES DEPARTMENT OF AGRICULTURE COOPERATING

POTATO STORAGE  
25,000CWT. PALLET BOX

ARS-TFRD Ex. 6038 SHEET 7 OF 10

VENT & DUCT FRAMING



COOPERATIVE EXTENSION WORK IN  
AGRICULTURE AND HOME ECONOMICS

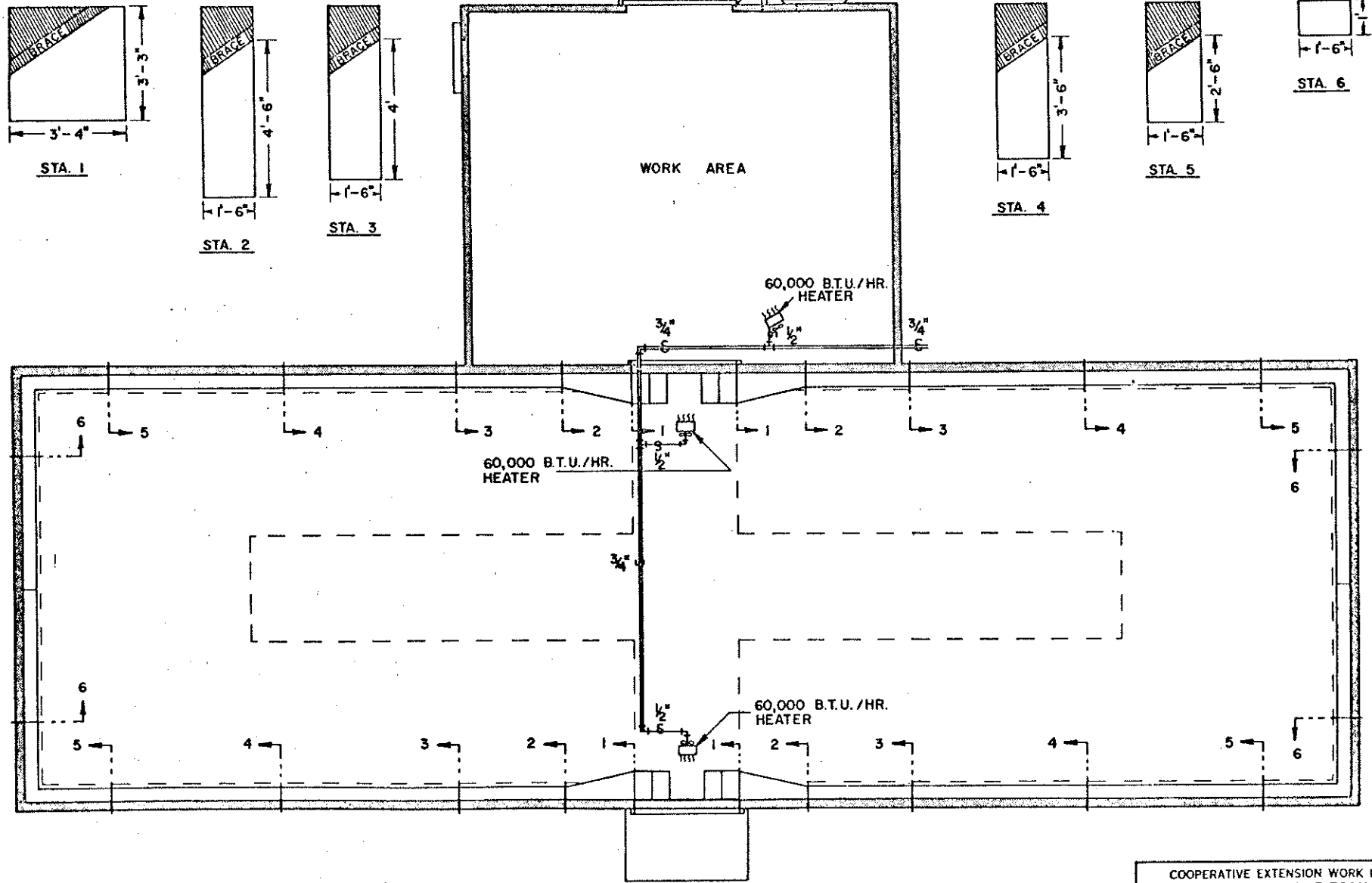
AND  
UNITED STATES DEPARTMENT OF AGRICULTURE COOPERATING

POTATO STORAGE  
25,000 CWT. PALLET BOX

ARS-TFRD	EX. 6038	SHEET 8 OF 10
----------	----------	---------------

SLIDING DOOR DETAILS





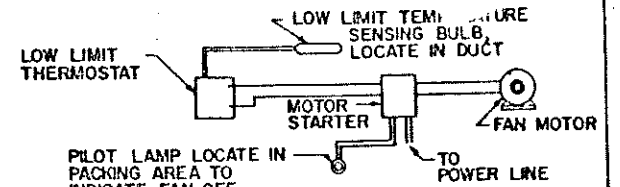
NOTE: CROSS-HATCHED AREAS INDICATE NON-VENTILATION AREAS

DUCT SECTIONS AT VARIOUS STATIONS

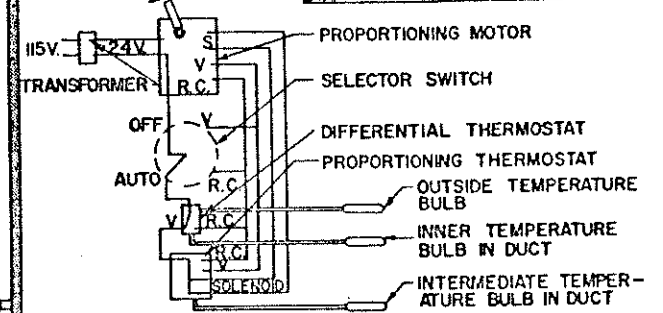
COOPERATIVE EXTENSION WORK IN AGRICULTURE AND HOME ECONOMICS		
AND UNITED STATES DEPARTMENT OF AGRICULTURE COOPERATING		
POTATO STORAGE 25,000 CWT. PALLET BOX		
ARS - TFRD	EX. 6038	SHEET 9 OF 10
HEATING & VENTILATION		

**LEGEND**

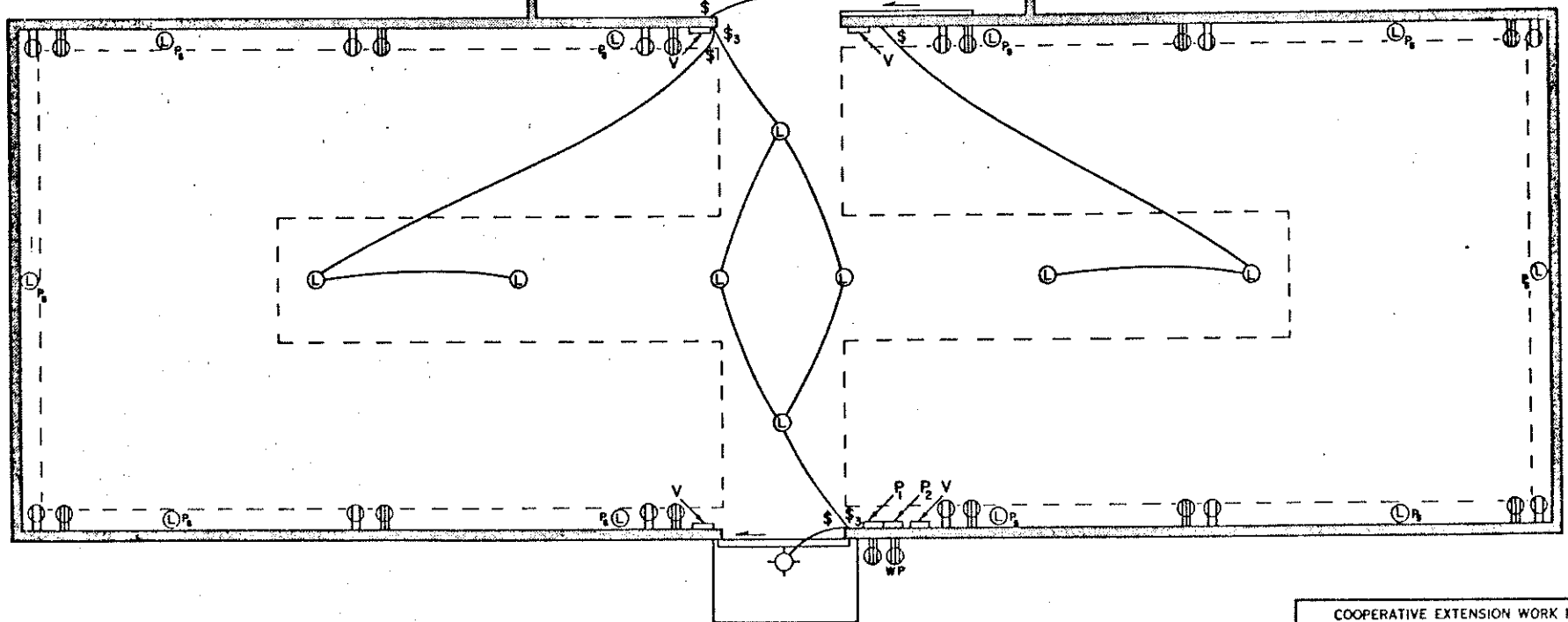
- ⌚ SINGLE POLE SWITCH
- ⌚₃ SINGLE POLE SWITCH, 3 WAY
- ⊕ DUPLEX OUTLET, 110V., 1ϕ, GROUNDED
- ⊕₃ DUPLEX OUTLET, 208V., 3ϕ, OR 230V., 1ϕ, GROUNDED
- ⊙ FLOOD LAMP, 1000W., WATERPROOF
- ⊙₃ CEILING LAMP, 100W., VAPORPROOF
- P MAIN SERVICE PANEL
- P₂ DISTRIBUTION PANEL
- V VENTILATION CONTROLS
- F FLUORESCENT FIXTURES, 6' NOMINAL LENGTH, WITH 2 75W. LAMPS, 16' MOUNTING HEIGHT
- ⊙ₚ LAMP WITH PULL SWITCH
- ⊕ₚ WEATHERPROOF & GROUNDED DUPLEX OUTLET, 208V., 3ϕ OR 230V., 1ϕ



**FAN MOTOR CONTROLS**



**DAMPER CONTROLS**



**ELECTRICAL LAYOUT**

COOPERATIVE EXTENSION WORK IN  
AGRICULTURE AND HOME ECONOMICS

AND  
UNITED STATES DEPARTMENT OF AGRICULTURE COOPERATING

POTATO STORAGE  
25,000 CWT. PALLET BOX

ARS-TFRD EX. 6038 SHEET 10 OF 10

ELECTRICAL