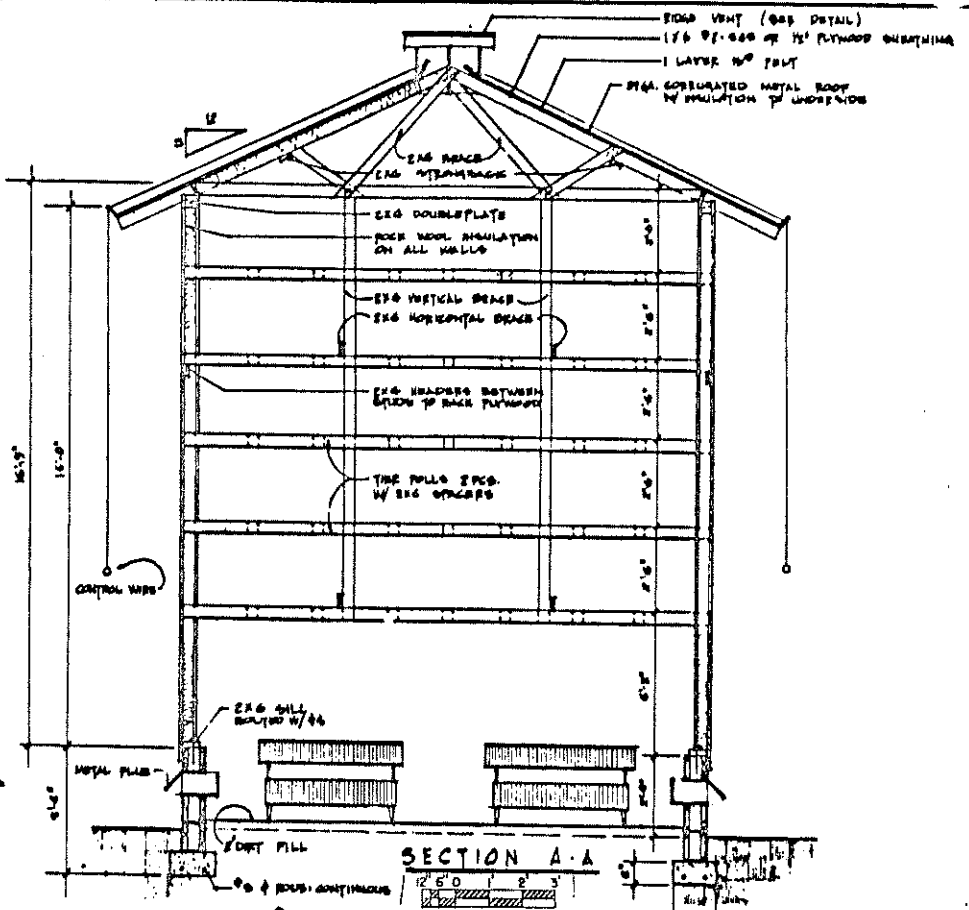
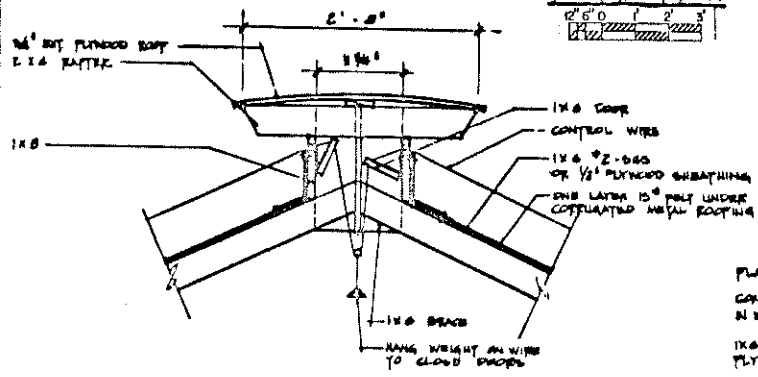


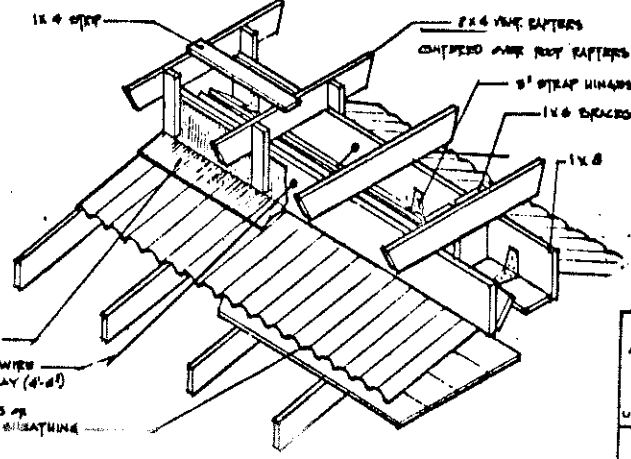
FLOOR PLAN



SECTION A-A

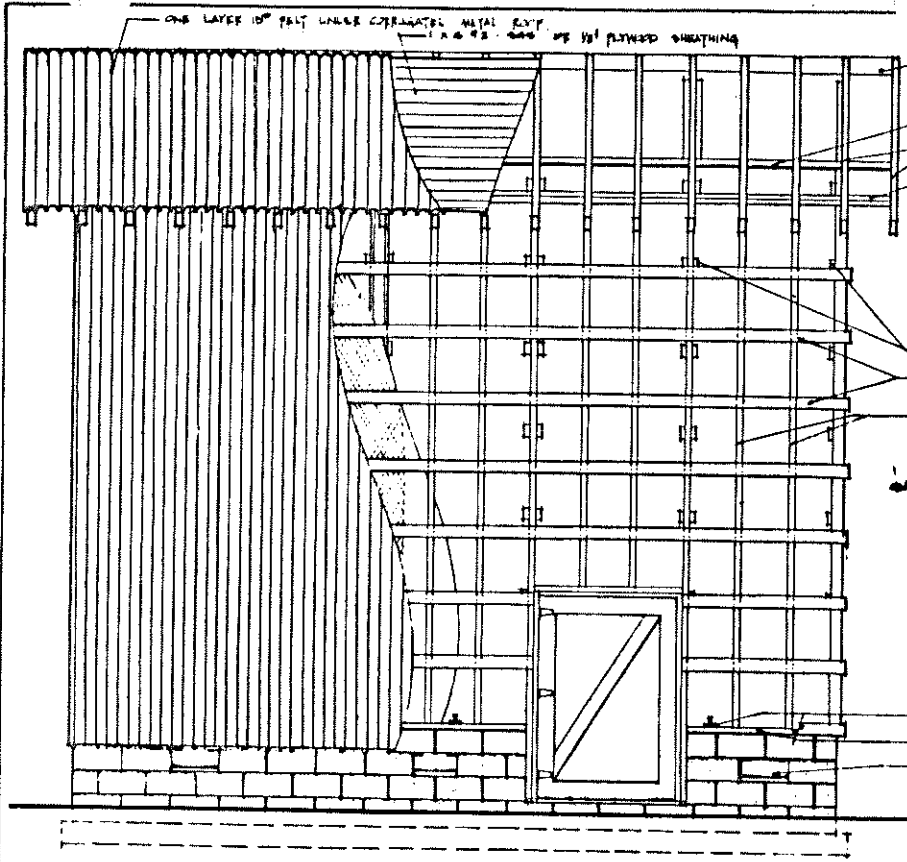


CROSS SECTION



VENTILATOR FRAMING

UNIV. OF FLA. PLAN 237  
 COOPERATIVE EXTENSION WORK IN  
 AGRICULTURE AND HOME ECONOMICS  
 AND  
 UNITED STATES DEPARTMENT OF AGRICULTURE COOPERATING  
 TOBACCO BARN  
 5 ROOM  
 FLA. '67 EX. 6017 SHEET 1 OF 2

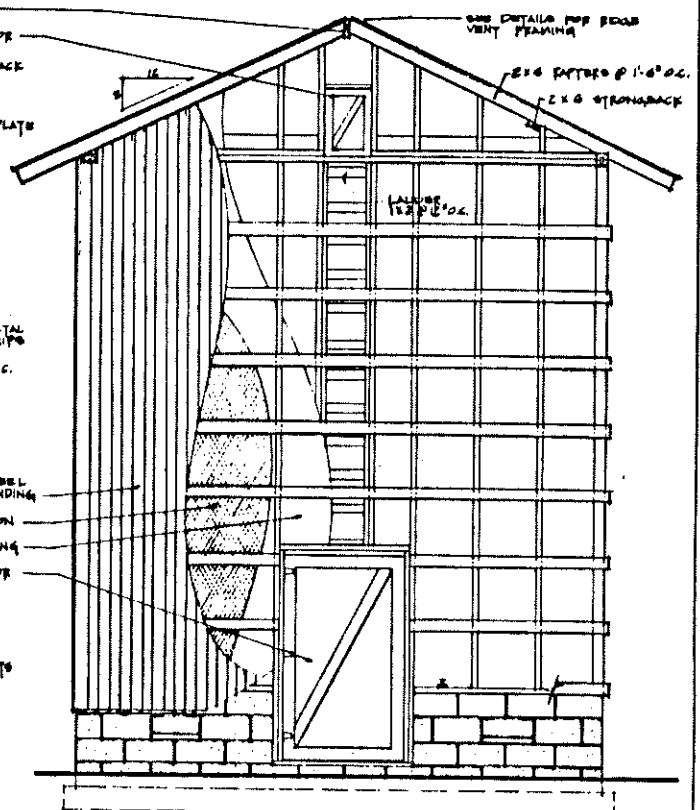


- 1x6 RIDGE
- 2x4 1'-0" DOOR
- 2x4 STRONBACK
- 2x4 RAFTERS
- 2x4 DOUBLE PLATE

- 1x4 TIE POLES
- 1x4 HORIZONTAL METAL SIDING MOUNTING STRIPS
- 2x4 STUDS @ 1'-0" o.c.

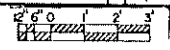
- 26 GA GALVANIZED STEEL CORRUGATED METAL SIDING
- ROCK WOOL INSULATION
- 3/8" PLYWOOD SIDING
- 6'-0" x 4'-0" P.C. DOOR

- 3/4" x 1/4" ANCHOR BOLTS
- 2x4 GILL
- METAL FLUE

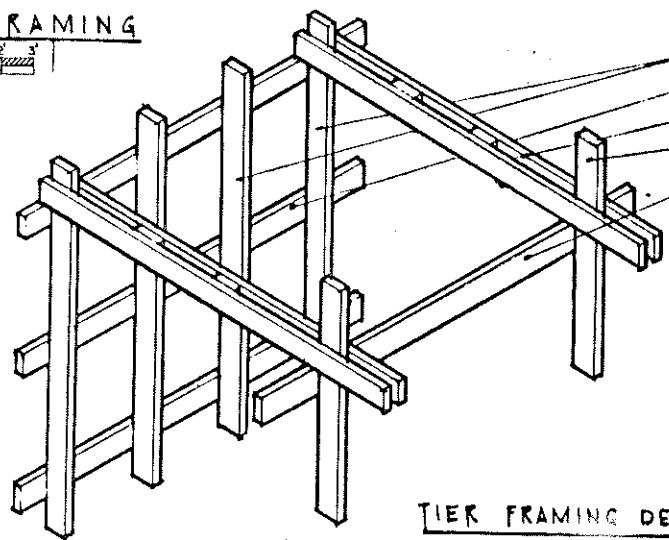
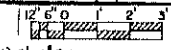


- 26 GA GALVANIZED STEEL CORRUGATED METAL SIDING
- 3/8" PLYWOOD SIDING
- 2x4 RAFTERS @ 1'-0" o.c.
- 2x4 STRONBACK

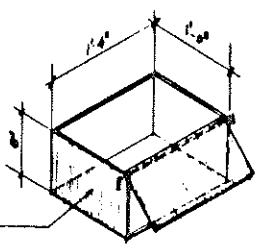
SIDE FRAMING



END FRAMING



- 2x4 STUDS @ 1'-0" o.c.
- 1x4 HORIZONTAL BRACING @ 2'-0" o.c.
- 1x4 TIE POLES W/ SPACERS
- 2x4 VERTICAL BRACING
- 2x4 HORIZONTAL BRACING



26 GA GALV STEEL

METAL FLUE

TIER FRAMING DETAIL

COOPERATIVE EXTENSION WORK IN AGRICULTURE AND HOME ECONOMICS

AND UNITED STATES DEPARTMENT OF AGRICULTURE COOPERATING

**TOBACCO BARN**  
3 ROOM

FLA. '67 EX. 6017 SHEET 2 OF 2