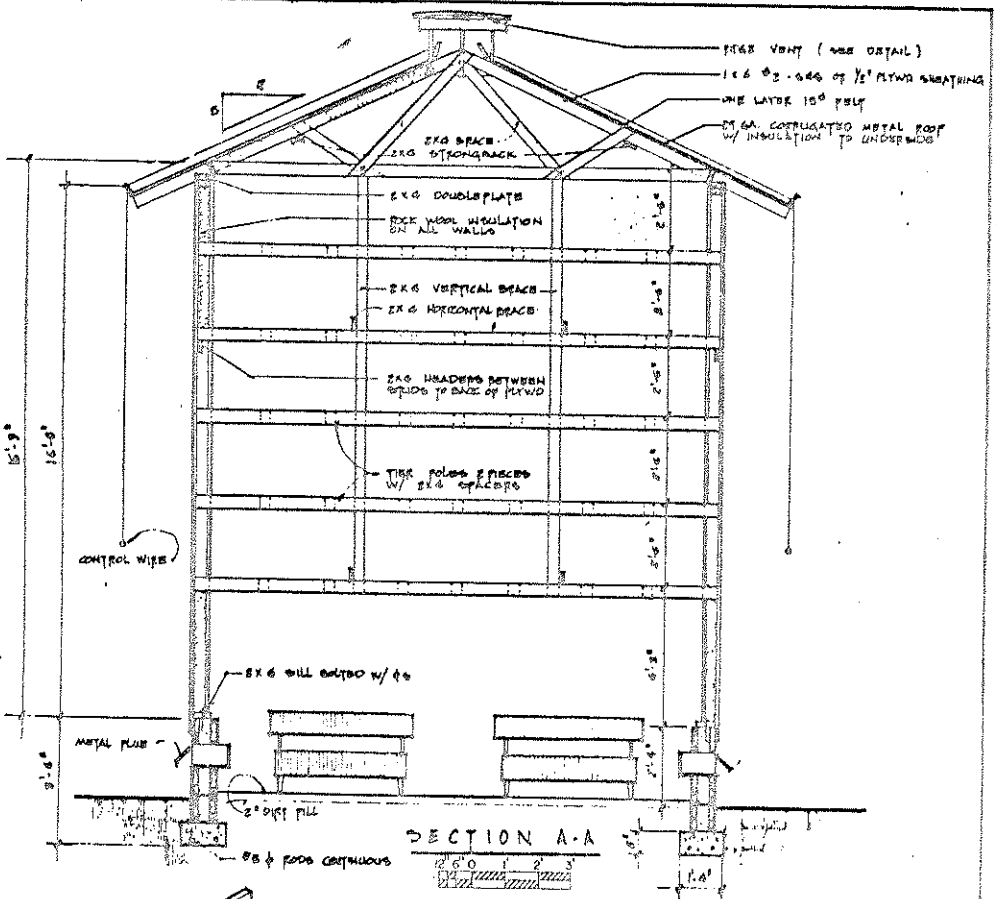
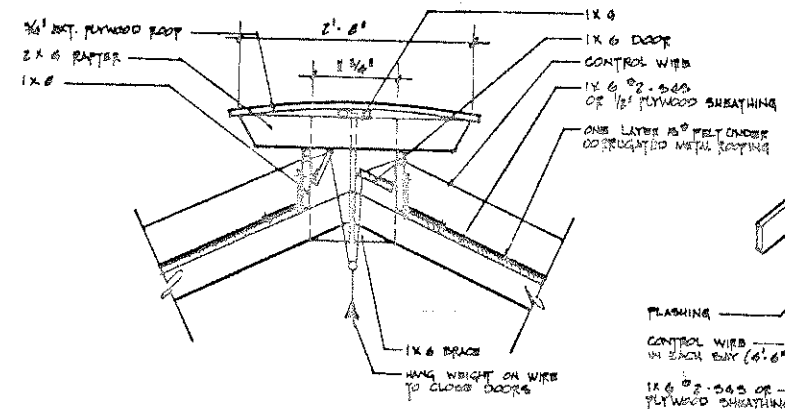


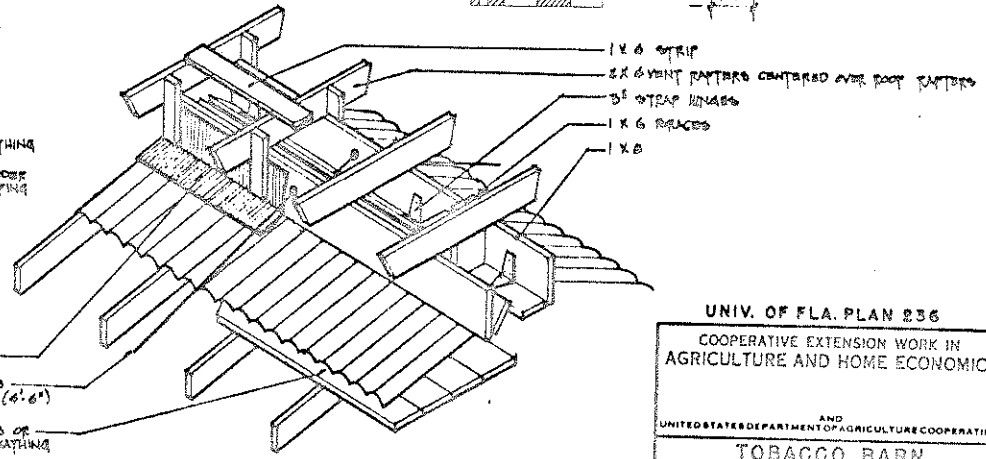
FLOOR PLAN



SECTION A-A



CROSS SECTION



VENTILATOR FRAMING

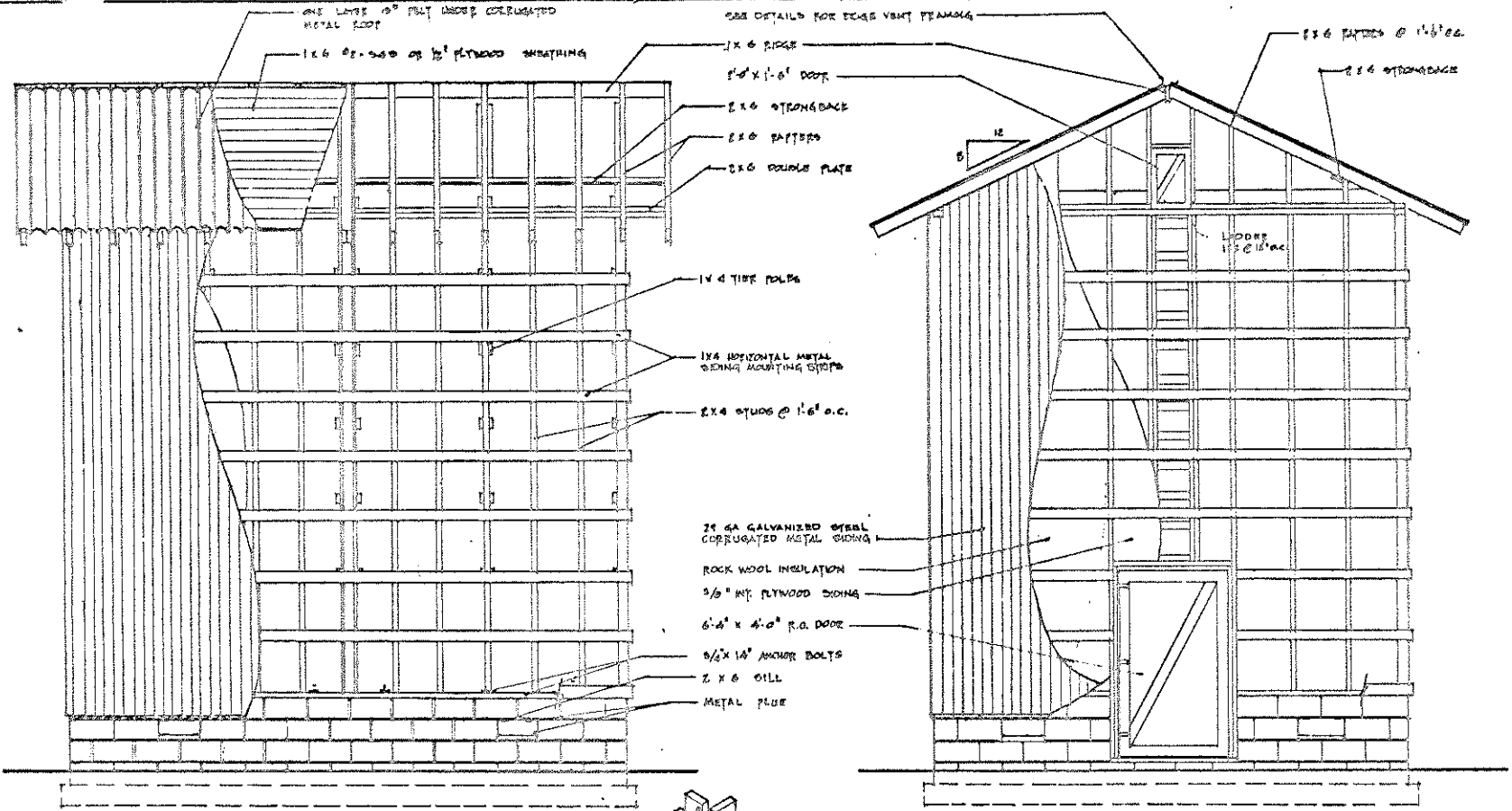
UNIV. OF FLA. PLAN 236

COOPERATIVE EXTENSION WORK IN AGRICULTURE AND HOME ECONOMICS

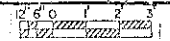
AND UNITED STATES DEPARTMENT OF AGRICULTURE COOPERATING

TOBACCO BARN
4 ROOM

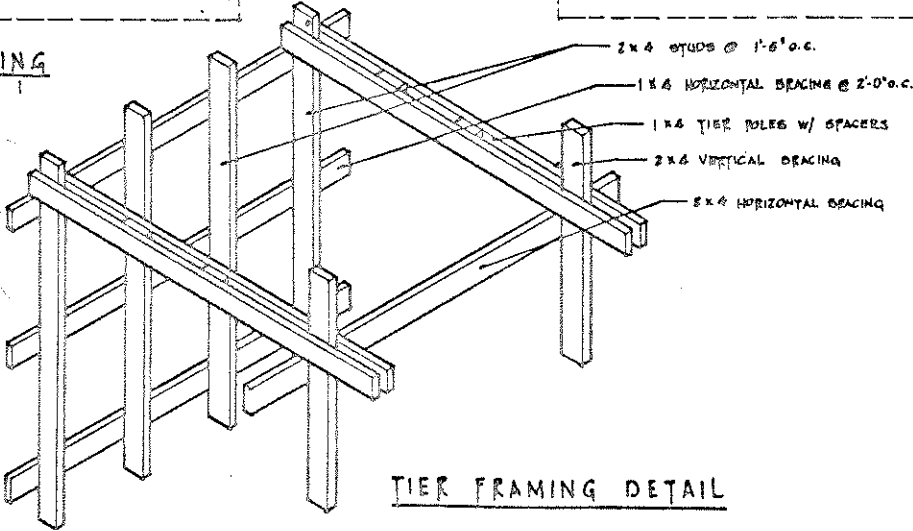
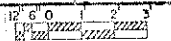
FLA. '67 EX. 6016 SHEET 1 OF 2



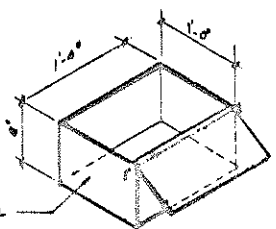
SIDE FRAMING



END FRAMING



TIER FRAMING DETAIL



METAL FLUE

20 GA. GALV. STEEL

COOPERATIVE EXTENSION WORK IN AGRICULTURE AND HOME ECONOMICS		
AND UNITED STATES DEPARTMENT OF AGRICULTURE COOPERATING		
TOBACCO BARN		
4 ROOM		
FLA. '67	EX. 6016	SHEET 2 OF 2