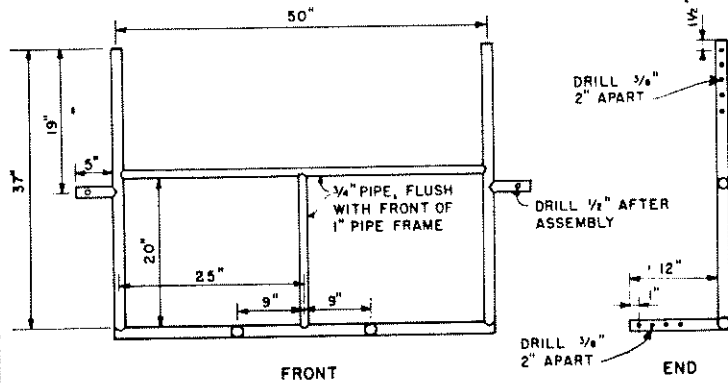
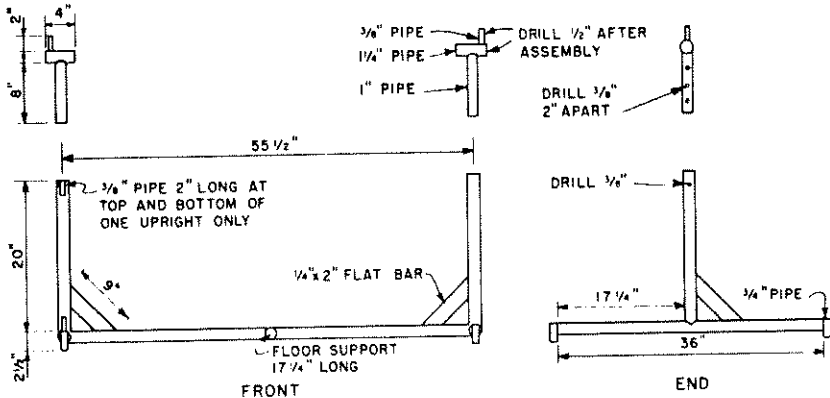


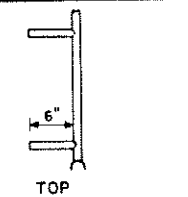
TOP PANEL FRAME  
ALL 3/4" PIPE EXCEPT AS NOTED



BACK PANEL FRAME  
ALL 1" PIPE EXCEPT AS NOTED



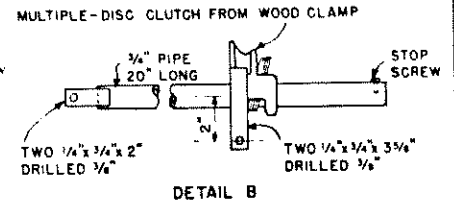
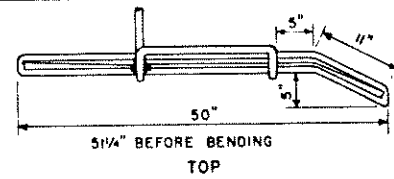
BASE FRAME  
ALL 1 1/4" PIPE EXCEPT AS NOTED



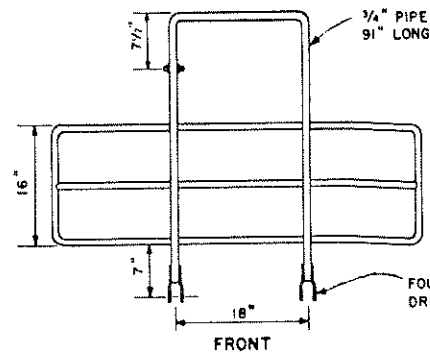
END

END

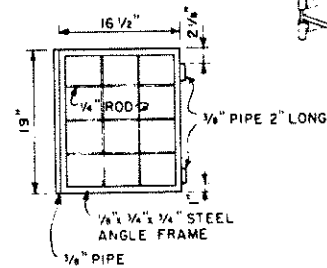
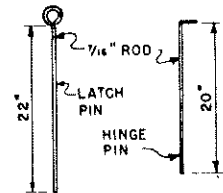
END



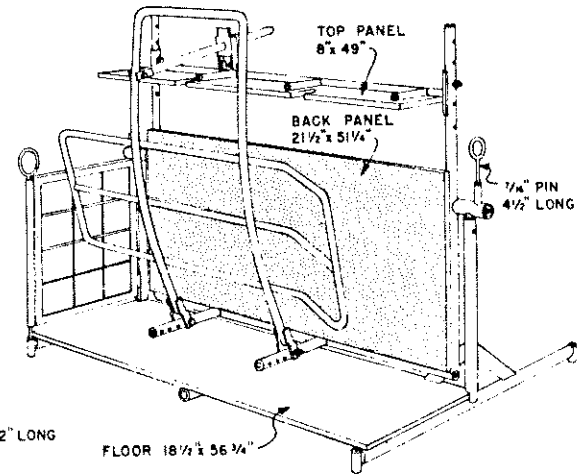
DETAIL B



SQUEEZE PANEL  
ALL 1/2" PIPE EXCEPT AS NOTED



CHUTE GATE



PERSPECTIVE

NOTE: ALL PIPES ARE STANDARD SIZE  
ALL JOINTS ARE WELDED

PANELS AND FLOOR ARE 1/2" EXTERIOR PLYWOOD,  
FASTENED WITH 1/4" CARRIAGE BOLTS  
USE 3/4" MACHINE BOLTS IN 1/8" HOLES

TILTING SQUEEZE FOR SHEEP

ORE '67 EX 6006 SHEET 1 OF 1