

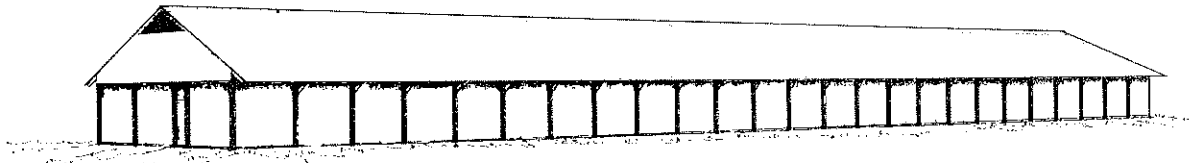
6" x 6" PRESSURE TREATED POSTS 8'-0" o.c.

LETTERS INDICATE TYPE PANEL - SEE LEGEND

PLAN

LEGEND

KEY	PANEL	SIZE	NUMBER
B. P.	BASIC	8'-0" x 8'-3"	38
F. E.	FIRE ESCAPE	8'-0" x 8'-3"	6
E. P.	END	7'-9 1/4" x 8'-3"	4
E. W.	END WALL	11'-8" x 8'-3"	6
FAN	FAN OPERING FRAMED IN BETWEEN POSTS	8'-0" o.c. - DETAILS SHEET NO. 3	2



PERSPECTIVE

GENERAL NOTES

1. CONCRETE TO BE 3000 PSI AIR-ENTRAINED MIX.
2. CONCRETE FLOORS TO HAVE A TROWELED FINISH.
3. GIRDER MEMBERS TO BE CONSTRUCTION GRADE DOUGLAS FIR OR NO. 1 SOUTHERN PINE, MINIMUM FIBER STRESS OF 1500 LB/SQ. IN.
4. TO FACILITATE CLEANING OR ACCESS TO BUILDING, SECURE SEVERAL PANELS WITH 5/16" x 4" LAG SCREWS 2'-0" o.c.

VENTILATION NOTES

1. INSTALL LOUVERS (MINIMUM AREA = 9 SQ. FT.) IN GABLE ENDS.
2. MINIMUM VENTILATION REQUIREMENT IS 6 CFM PER BIRD. CONTACT THE COUNTY AGRICULTURAL AGENT OR THE EXTENSION AGRICULTURAL ENGINEER REGARDING FAN CONTROL DETAILS.
3. TERMINATE SLOT INLET 8'-0" EACH SIDE OF FANS.

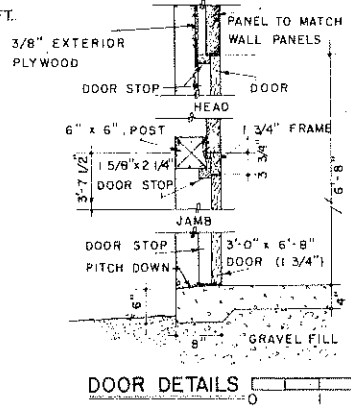
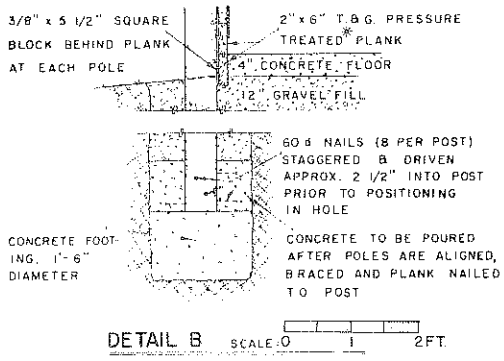
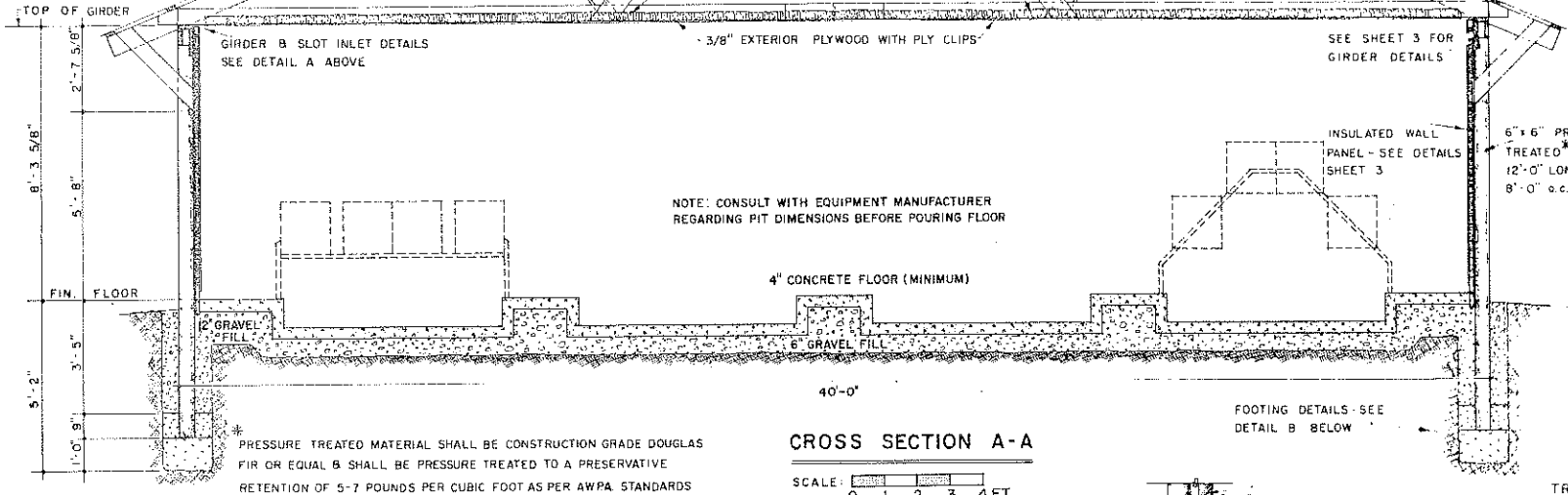
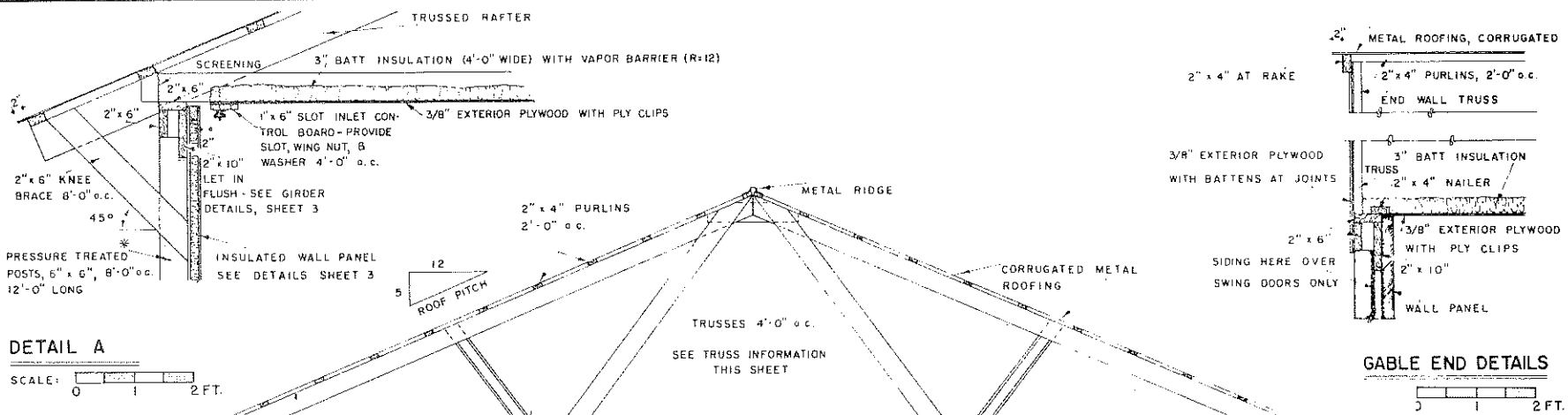
COOPERATIVE EXTENSION WORK IN
 AGRICULTURE AND HOME ECONOMICS
 DEPARTMENT OF AGRICULTURAL ENGINEERING
 UNIVERSITY OF MARYLAND

STATE OF MARYLAND DEPARTMENT OF GENERAL SERVICES OPERATING

POULTRY HOUSE
 PANEL CONSTR.-CAGE MANAGEMENT

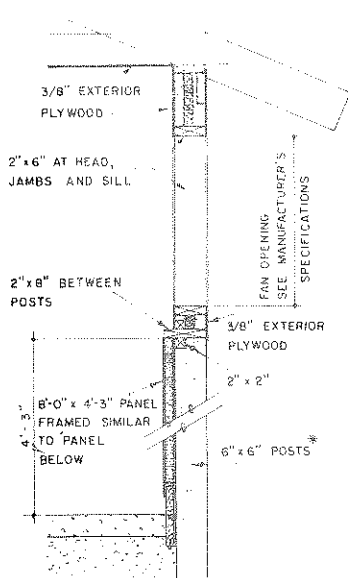
CONN. '66 EX 6001 SHEET 1 OF 3

BASED ON CONN. PLAN NO. 232



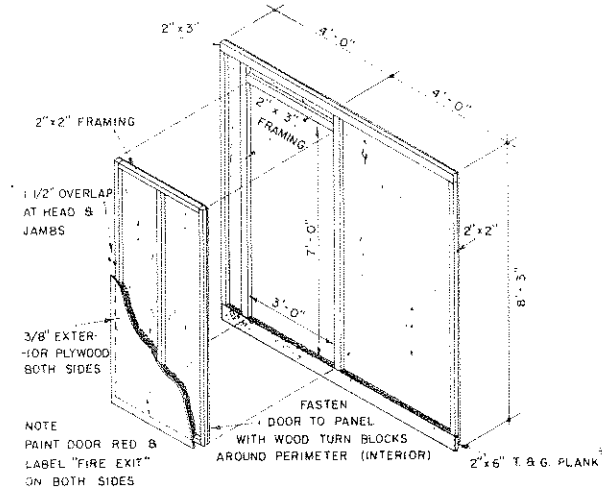
TRUSS INFORMATION
SITE FABRICATION USE TRUSS PLAN 800M (AVAILABLE AT AGRICULTURAL ENGINEERING DEPARTMENT, UNIVERSITY OF CONNECTICUT)
SHOP FABRICATION TRUSS DESIGN AND JOINT FASTENERS SHALL BE OF AN APPROVED DESIGN WITH THE FOLLOWING DESIGN LOADINGS:
ROOF LOAD (DEAD AND LIVE) = 35 LBS/SQ FT.
CEILING LOAD = 10 LBS/SQ FT.
TRUSS SPACING = 4'-0" o.c.
OVERHANG = 2'-3"

COOPERATIVE EXTENSION WORK IN AGRICULTURE AND HOME ECONOMICS
DEPARTMENT OF AGRICULTURAL ENGINEERING
UNIVERSITY OF MARYLAND
POULTRY HOUSE
PANEL CONSTR. - CAGE MANAGEMENT
CONN. '66 Ex 6001 SHEET 2 OF 3



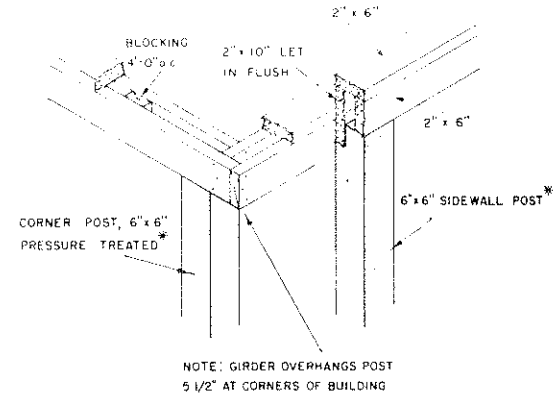
FAN PANEL DETAILS

SCALE: 0 1 2 FT.



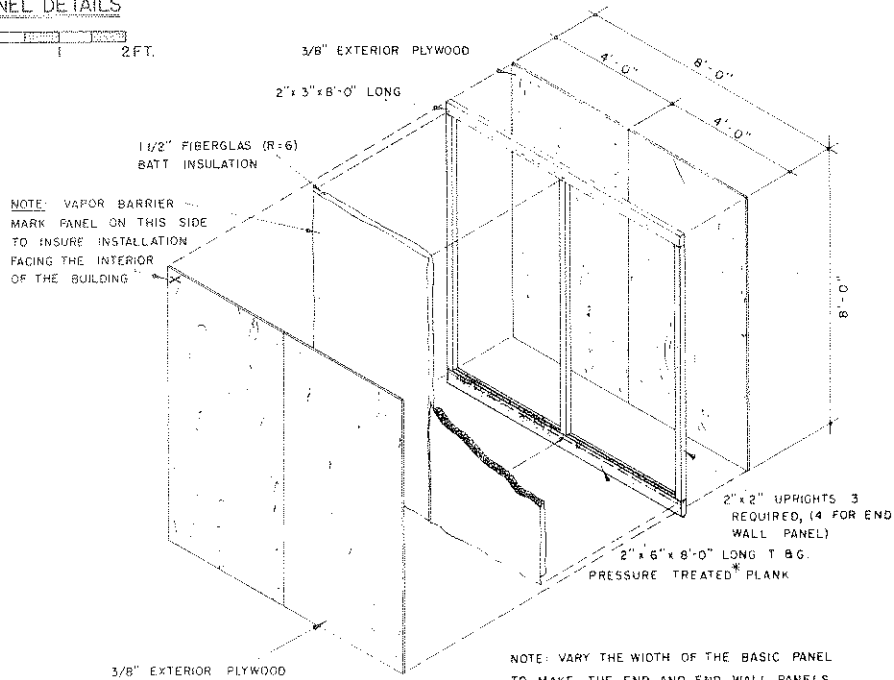
FIRE ESCAPE PANEL DETAILS

SCALE: 0 1 2 3 4 FT.



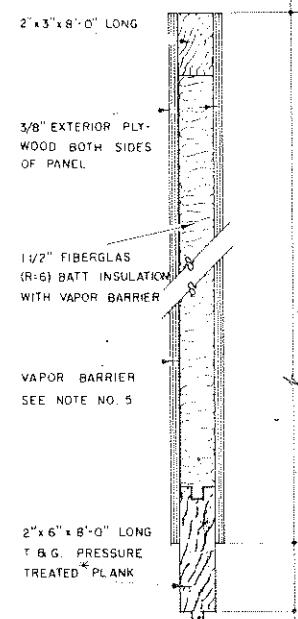
NOTE: GIRDER OVERHANGS POST 5 1/2" AT CORNERS OF BUILDING

GIRDER DETAILS



ISOMETRIC

BASIC PANEL DETAILS



SECTION 0 2 4 6 IN.

GENERAL NOTES

1. ALL PLYWOOD SHALL BE DFPA GRADE STAMPED EXTERIOR TYPE
2. FASTEN PLYWOOD WITH 6d GALVANIZED NAILS SPACED 6" o.c. OR EQUIVALENT STAPLES
3. SECURE PANELS TO POSTS AND GIRDERS WITH 20d NAILS 18" o.c. SEE NOTE NO. 4, SHEET NO. 1 FOR EXCEPTION
4. * SEE ASTERISK SHEET NO. 2 FOR SPECIFICATIONS OF PRESSURE TREATED MATERIAL
5. MARK PLYWOOD ON THE VAPOR BARRIER SIDE OF PANEL TO INSURE INSTALLATION FACING INTERIOR OF BUILDING. SEE DETAILS THIS SHEET

COOPERATIVE EXTENSION WORK IN AGRICULTURE AND HOME ECONOMICS
DEPARTMENT OF AGRICULTURAL ENGINEERING
UNIVERSITY OF MARYLAND

POULTRY HOUSE
PANEL CONSTR. - CAGE MANAGEMENT
CONN. '66 E-6001 SHEET 3 OF 3