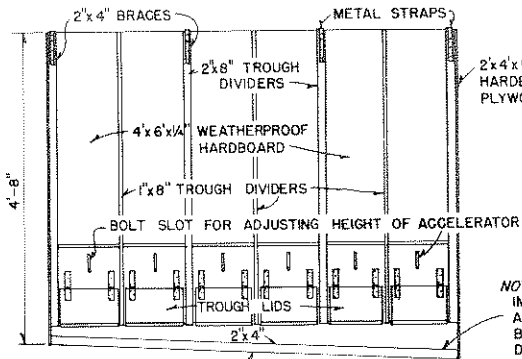


PLAN OF FEEDER
(METAL STRAPS NOT SHOWN)

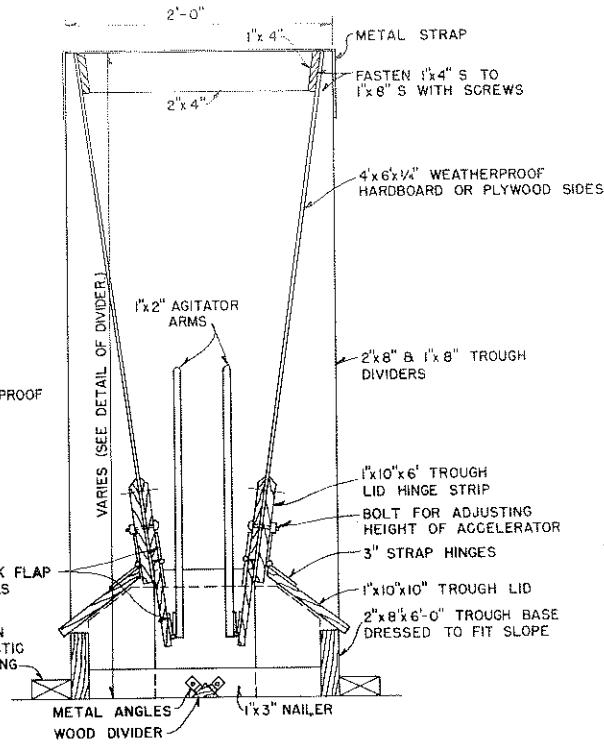
SCALE 0 2 FT.



FLOOR SURFACE SLOPE 1/2" PER FOOT

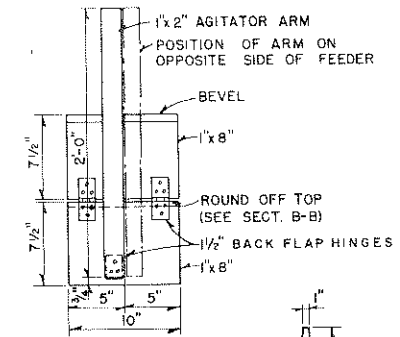
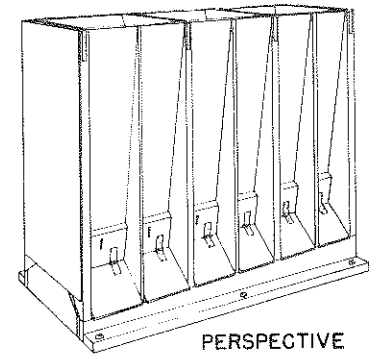
FRONT ELEVATION

SCALE 0 2 FT.



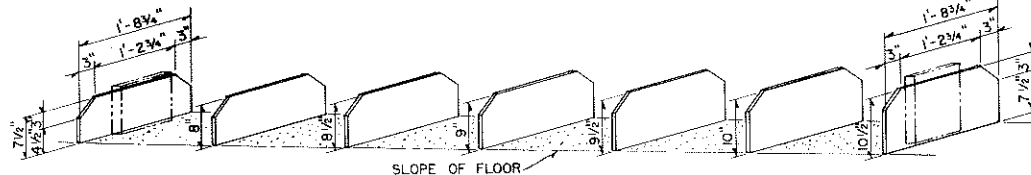
SECTION B-B

SCALE: 0 1 FT.



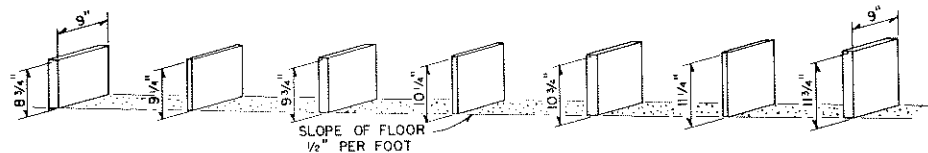
ACCELERATOR DEVICE
ONE FOR EACH TROUGH SPACE

SCALE 0 1 FT.



ISOMETRIC VIEW OF NAILERS

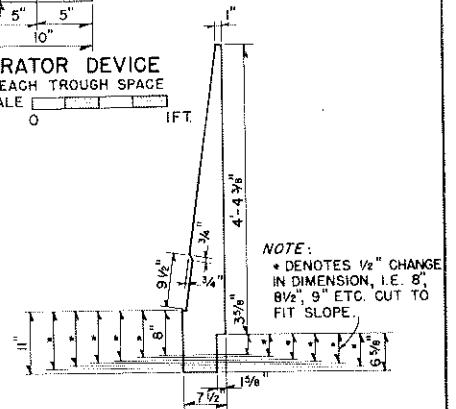
1/4" HARDBOARD 7 PIECES



ISOMETRIC VIEW OF PARTITIONS

4 PIECES 2' x 10" 3 PIECES 1' x 10"

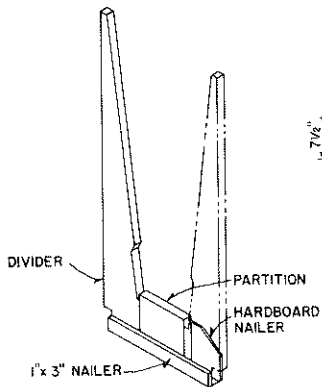
NOTE:
NUMBER OF PIECES AS NOTED ARE REQUIRED FOR EACH FEEDER.



DIVIDER & END

8 PIECES 2' x 8" 6 PIECES 1' x 8"

NOTE:
* DENOTES 1/2" CHANGE IN DIMENSION, I.E. 8", 8 1/2", 9" ETC. CUT TO FIT SLOPE.



DESIGNED FOR SLOPING FLOOR.
CAPACITY: 30 BU. SMALL GRAIN.

COOPERATIVE EXTENSION WORK IN
 AGRICULTURE AND HOME ECONOMICS
 DEPARTMENT OF AGRICULTURAL ENGINEERING
 UNIVERSITY OF MARYLAND
 AND
 UNITED STATES DEPARTMENT OF AGRICULTURE COOPERATING

SWINE FEEDER

USDA '65 EX. 5988 SHEET 1 OF 1