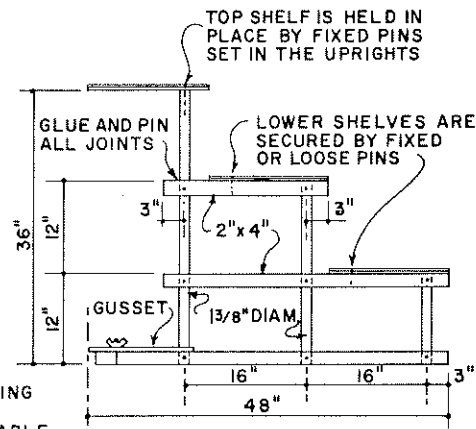


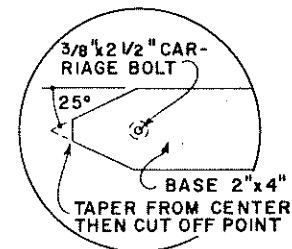
TOP VIEW
SHELVES CUT AWAY

CARE IN LAYING OUT, CUTTING
AND ASSEMBLY WILL MAKE
THE FRAMES INTERCHANGEABLE

TYPE I



SECTION
AT FRAME

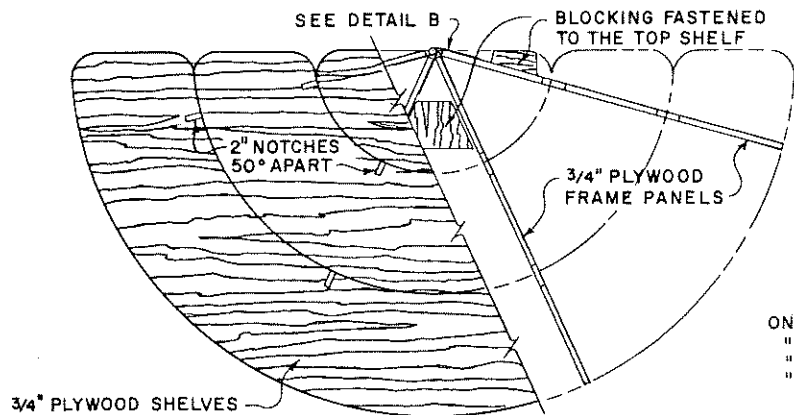


DETAIL A

MATERIALS

ITEM	SIZE	NO.
PLYWOOD	1/2"x4'-0"x8'-0"	ONE
WOOD	2"x4"x4'-0"	FOUR
"	2"x4"x5'-0"	FOUR
"	1"x8"x8'-0"	ONE
"	3/8" D.x6'-0"	FOUR

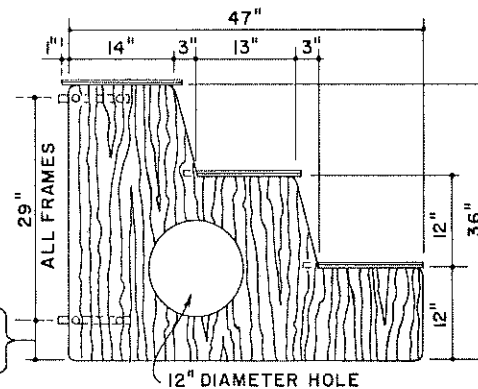
(FASTENINGS NOT INCLUDED)



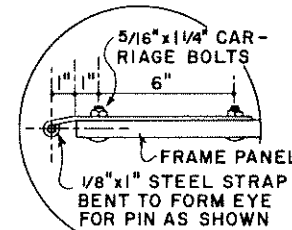
TOP VIEW
SHELVES CUT AWAY

ONE FRAME	5 1/2"
"	4 3/8"
"	3 1/4"
"	2 1/8"

TYPE II



SECTION
AT FRAME PANEL



DETAIL B

MATERIALS

ITEM	SIZE	NO.
PLYW'D	3/4"x4'-0"x8'-0"	TWO
OR		
PLYW'D	3/4"x4'-0"x8'-0"	ONE
"	1/2"x4'-0"x8'-0"	ONE
WOOD	1"x8"x10'-0"	ONE

(FASTENINGS NOT INCLUDED)

USE EXTERIOR GRADE PLYWOOD
SAND ALL EDGES AND SEAL WITH A
WATERPROOF PENETRATING SEALER
WATERPROOF GLUE IS REQUIRED

HEIGHT OF TYPE I MAY BE AS
DESIRED, BUT HEIGHT OF TYPE II
IS PLANNED TO PERMIT CUTTING
THE FOUR FRAME PANELS FROM
ONE SHEET OF PLYWOOD

SHELVES FOR TYPE II MAY BE OF
1/2" PLYWOOD IF 1"x8" STIFFENERS
ARE FASTENED UNDER THE BOTTOM
SHELF, AS SHOWN FOR TYPE I

scale 0 1 FT.

COOPERATIVE EXTENSION WORK IN
AGRICULTURE AND HOME ECONOMICS
DEPARTMENT OF AGRICULTURAL ENGINEERING
UNIVERSITY OF MARYLAND
AND
UNITED STATES DEPARTMENT OF AGRICULTURE COOPERATING

TWO DISPLAY STANDS
FOR PRODUCE

USDA '64 EX. 5982 SHEET 1 OF 1