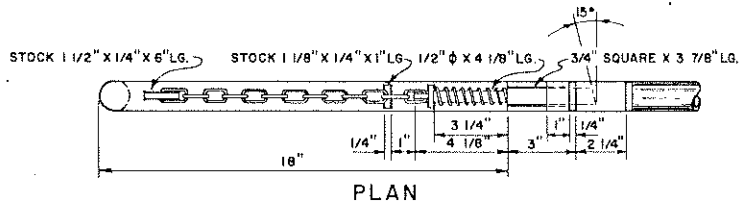


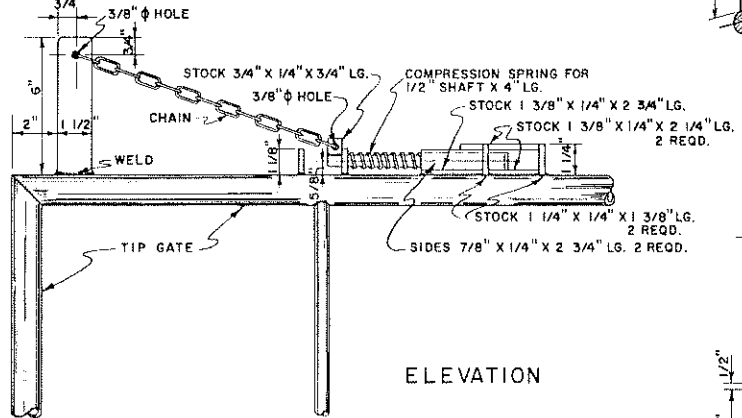
LEFT SIDE VIEW

FRONT END VIEW

RIGHT SIDE VIEW

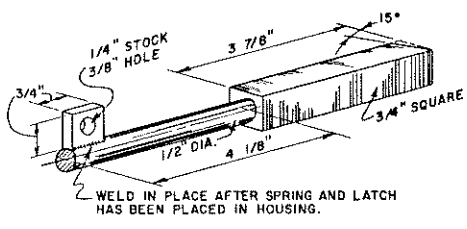


PLAN

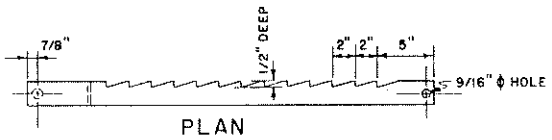


ELEVATION

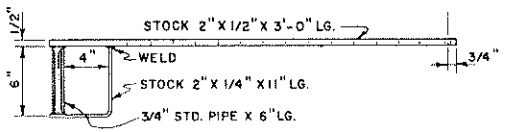
DETAILS OF SQUEEZE LATCH
(ONE REQUIRED)
SCALE: 0 2 4 6 IN.



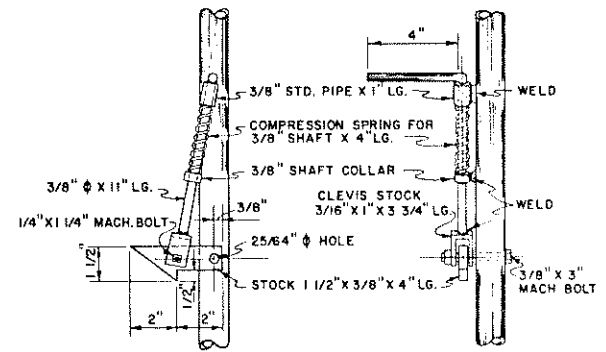
LATCH DETAIL
SCALE: HALF SIZE



PLAN



ELEVATION
DETAIL OF RATCHET BAR
(ONE REQUIRED)
SCALE: 0 1 FT.



DETAIL OF TIP LATCH
(ONE REQUIRED)
SCALE: 0 2 4 6 IN.

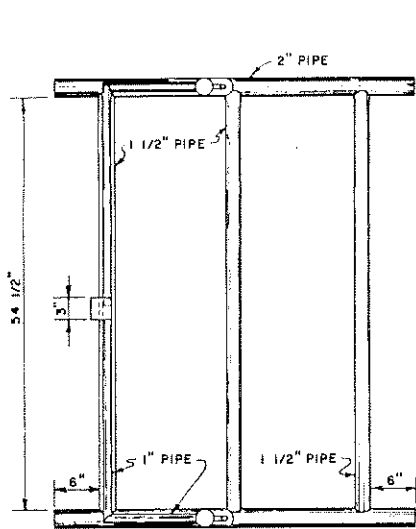
SCALE: 1" = 1'-0" EXCEPT AS OTHERWISE NOTED

COOPERATIVE EXTENSION WORK IN
AGRICULTURE AND HOME ECONOMICS
DEPARTMENT OF AGRICULTURAL ENGINEERING
UNIVERSITY OF MARYLAND

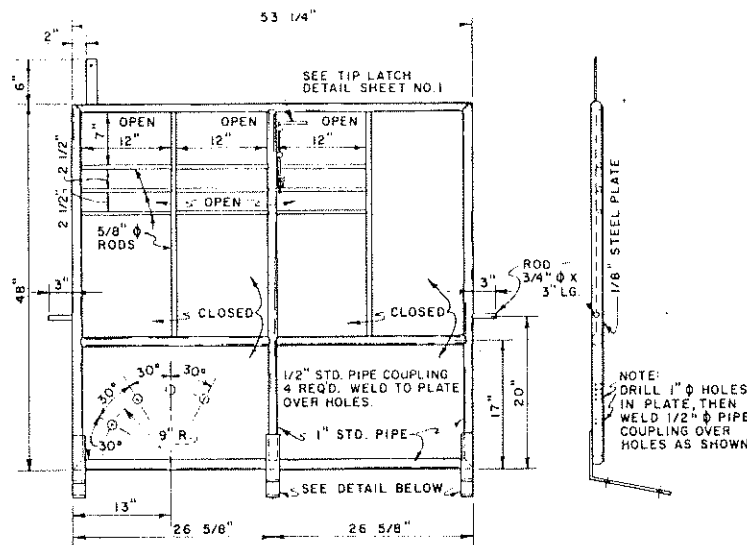
UNITED STATES DEPARTMENT OF AGRICULTURE COOPERATING

TILTING CALF TABLE
PIPE FRAME

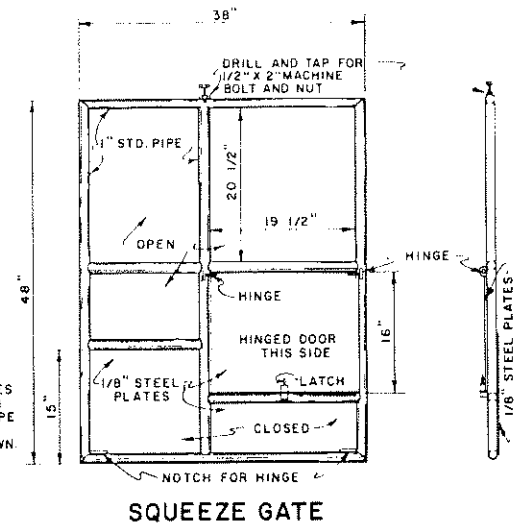
USDA '64	EX 5969	SHEET 1 OF 2
----------	---------	--------------



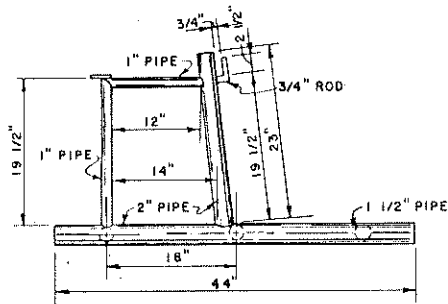
PLAN OF BASE FRAME



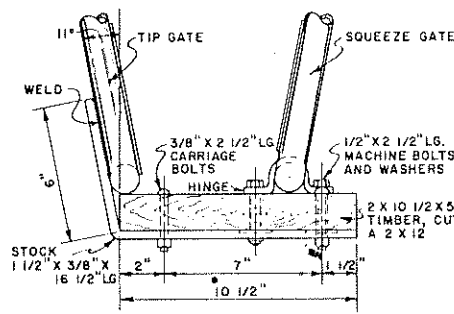
TIP GATE



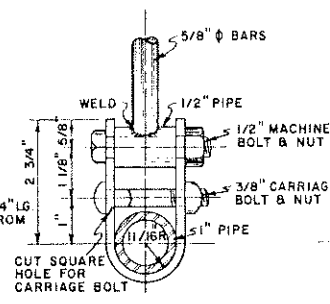
SQUEEZE GATE



ELEVATION OF BASE FRAME

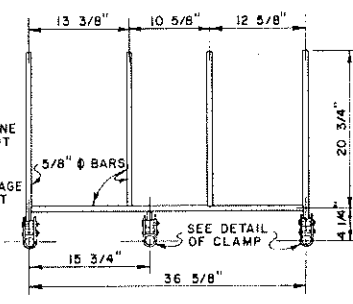


ASSEMBLY DETAIL



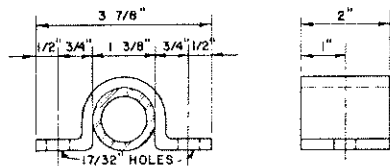
CLAMP DETAIL

(THREE REQUIRED)
SCALE: HALF SIZE



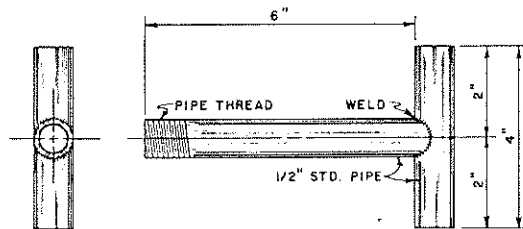
COVER BARS

(ONE REQUIRED)



SQUEEZE GATE HINGE

(TWO REQUIRED) STOCK 2" X 1/4" X 6"
SCALE: HALF SIZE



LEG HOLDER

(TWO REQUIRED)
SCALE: HALF SIZE

SCALE: 1" = 1'-0" EXCEPT AS OTHERWISE NOTED.

COOPERATIVE EXTENSION WORK IN
AGRICULTURE AND HOME ECONOMICS
DEPARTMENT OF AGRICULTURAL ENGINEERING
UNIVERSITY OF MARYLAND
AND
UNITED STATES DEPARTMENT OF AGRICULTURE COOPERATING

TILTING CALF TABLE
PIPE FRAME

USDA '64 EX. 5969 SHEET 2 OF 2