

**NOW PLAN**

CUT AWAY TO SHOW CONSTRUCTION AND ALTERNATE SIDE ENTRANCE

**FLOOR PLAN**

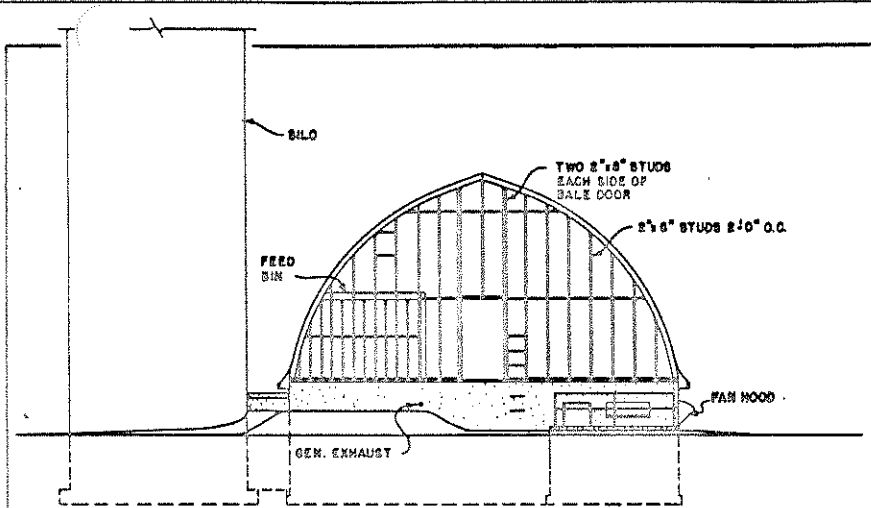
COOPERATIVE EXTENSION WORK IN  
 AGRICULTURE AND HOME ECONOMICS

AND  
 UNITED STATES DEPARTMENT OF AGRICULTURE COOPERATING

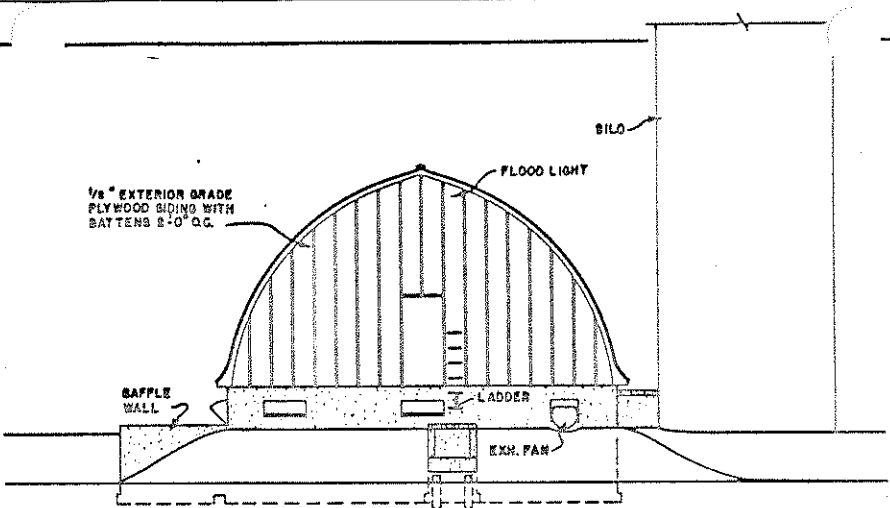
STALL BARN & FALLOUT SHELTER  
 FOR 50 COWS

USDA '64 EX. 5953 SHEET 1 OF 3

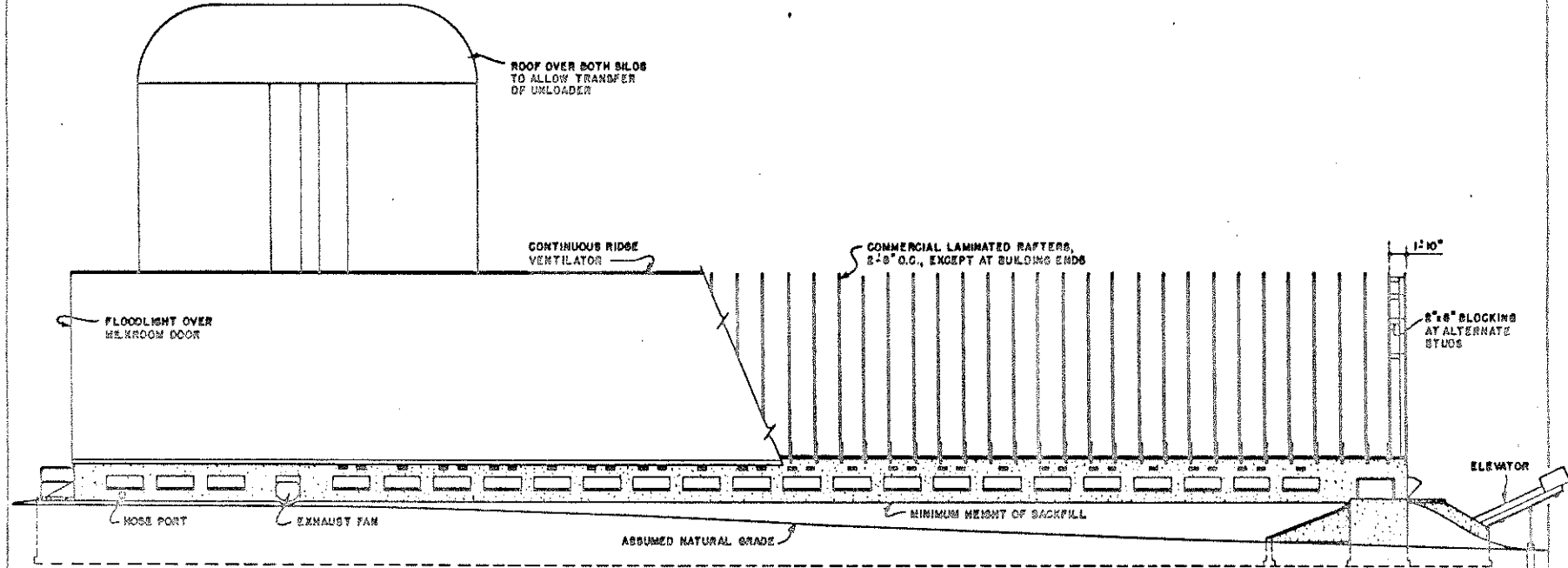




**LEFT END ELEVATION**  
SIDING AND TRIM OMITTED TO SHOW FRAMING



**RIGHT END ELEVATION**  
BUTTER CLEANER ELEVATOR NOT SHOWN



**SIDE ELEVATION**  
ROOFING AND SHEATHING CUT AWAY TO SHOW FRAMING

COOPERATIVE EXTENSION WORK IN  
AGRICULTURE AND HOME ECONOMICS

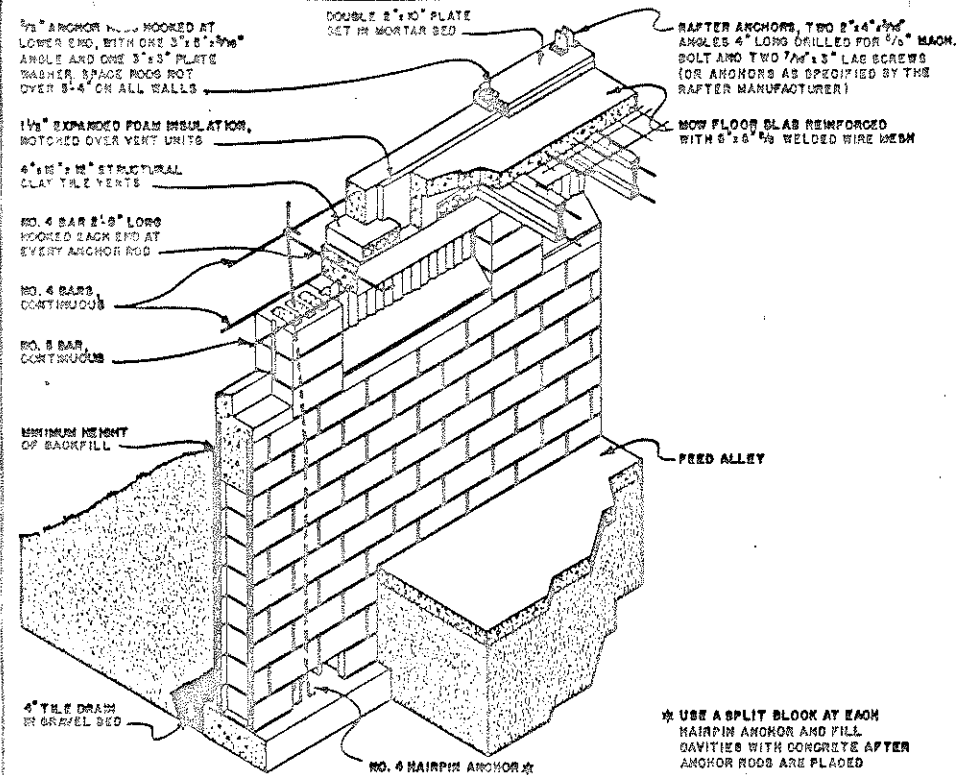
AND  
UNITED STATES DEPARTMENT OF AGRICULTURE COOPERATING

STALL BARN & FALLOUT SHELTER  
FOR 60 COWS

USDA '64 EX. 5953 SHEET 2 OF 6

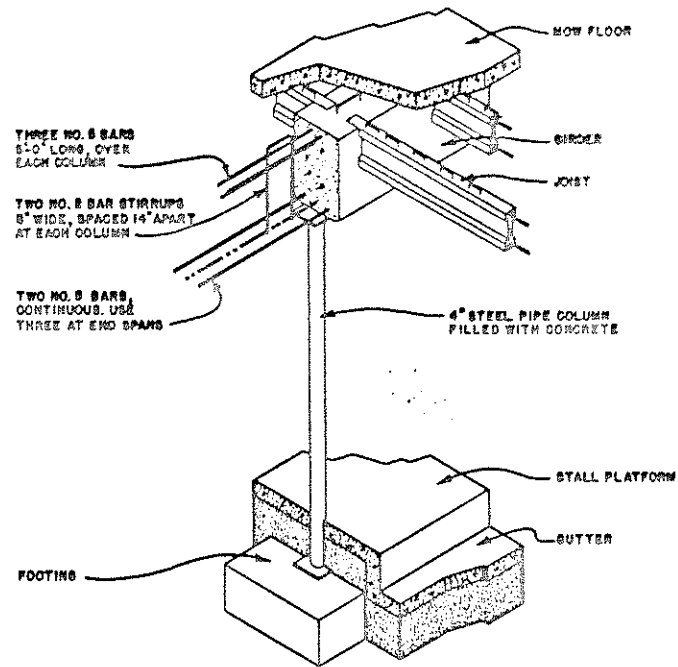




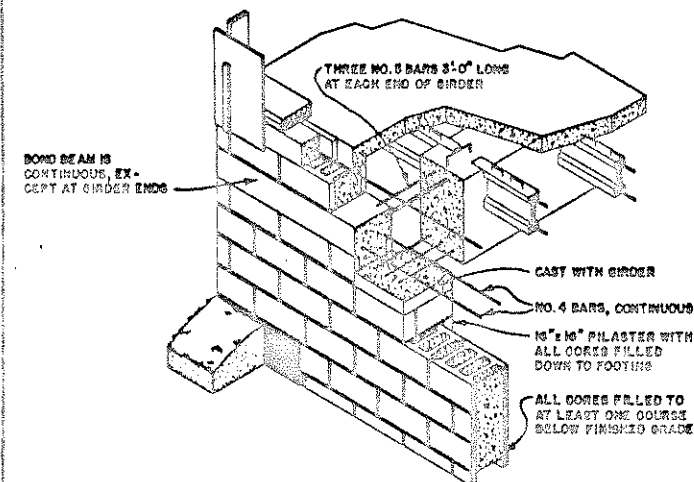


DETAIL AT SIDE WALL

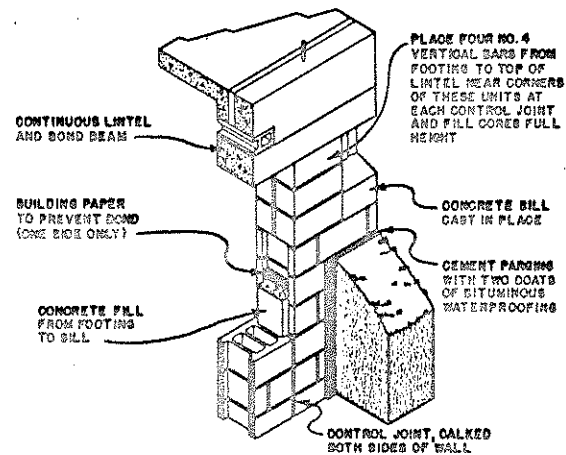
\* USE A SPLIT BLOCK AT EACH HAIRPIN ANCHOR AND FILL CAVITIES WITH CONCRETE AFTER ANCHOR RODS ARE PLACED



DETAIL AT COLUMN

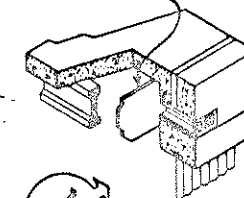


DETAIL AT END WALL



TYPICAL CONTROL JOINT

1" x 12" BAFFLE BETWEEN JOISTS ABOUT 1" FROM TILE INTAKE VENTS



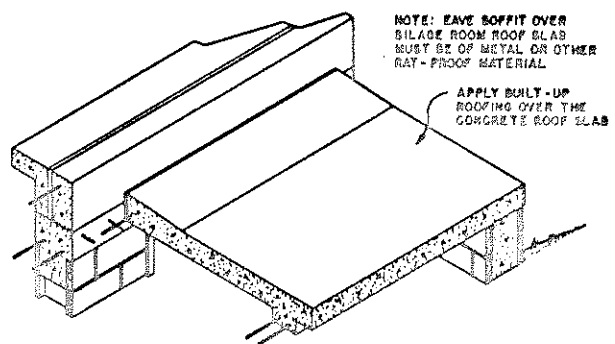
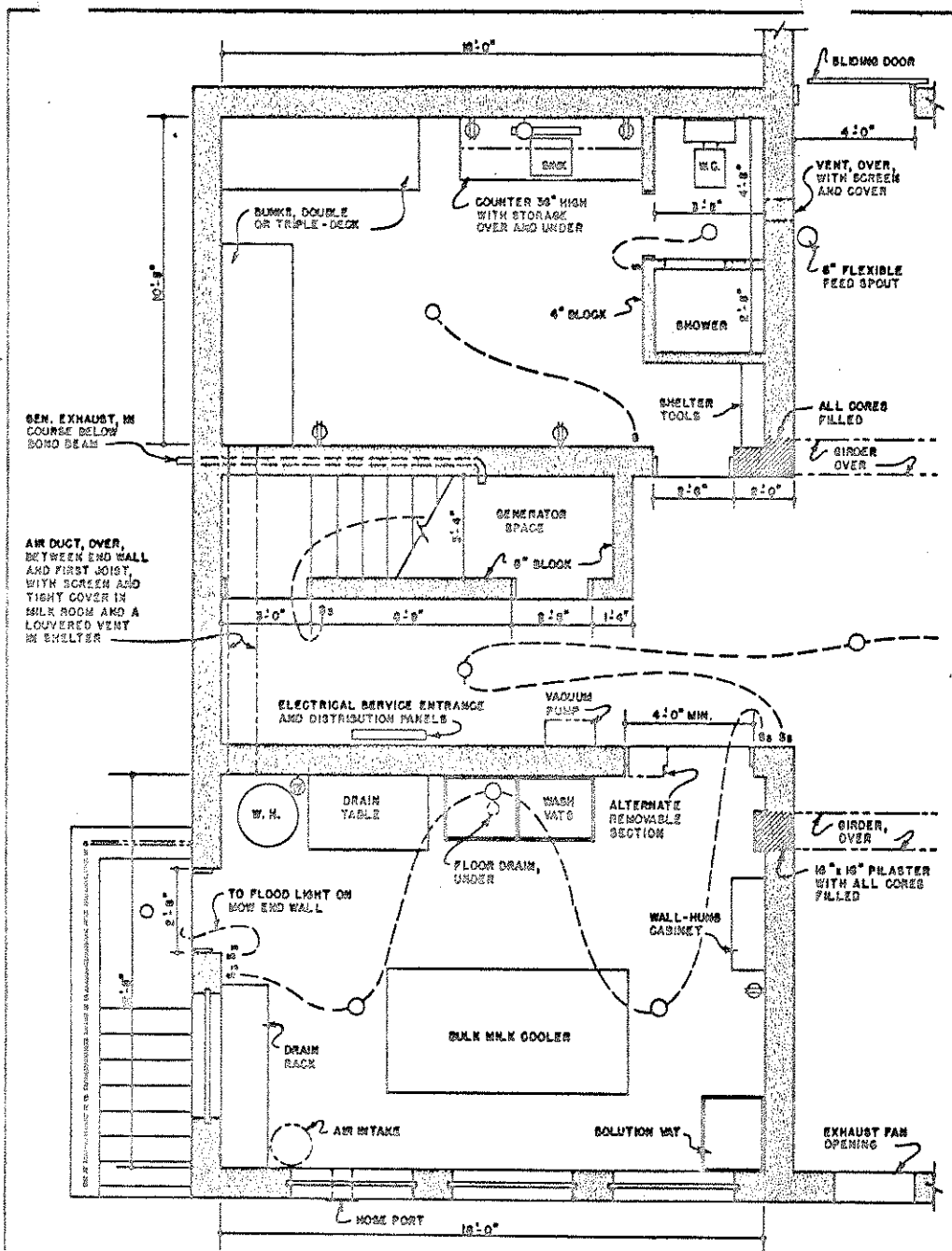
AIR INTAKE VENT DETAIL

COOPERATIVE EXTENSION WORK IN AGRICULTURE AND HOME ECONOMICS

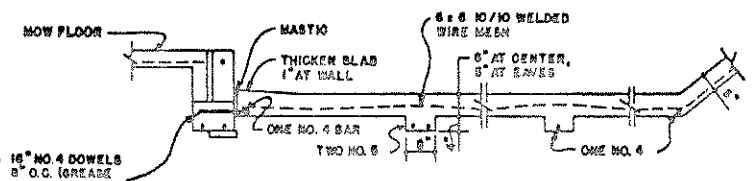
AND UNITED STATES DEPARTMENT OF AGRICULTURE COOPERATING

STALL BARN & FALLOUT SHELTER FOR 80 COWS

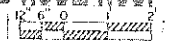
USDA '64 EX. 3953 SHEET 4 OF 6



CUT-AWAY VIEW



SECTION  
SILAGE ROOM ROOF DETAIL



PART PLAN  
12' 6" 0  
11' 6" 0

COOPERATIVE EXTENSION WORK IN  
AGRICULTURE AND HOME ECONOMICS

AND  
UNITED STATES DEPARTMENT OF AGRICULTURE COOPERATING

STALL BARN & FALLOUT SHELTER  
FOR 20 COWS

USDA '64 EX. 5953 SHEET 8 OF 8