

3-BAY PLAN

MOST ROOF FRAMING NOT SHOWN

ALL LUMBER TO BE FULL SIZE ROUGH SAWN,
PRESSURE-TREATED WITH PRESERVATIVE

FASTENINGS AND OTHER STEEL PARTS
SHALL BE HOT-DIP GALVANIZED

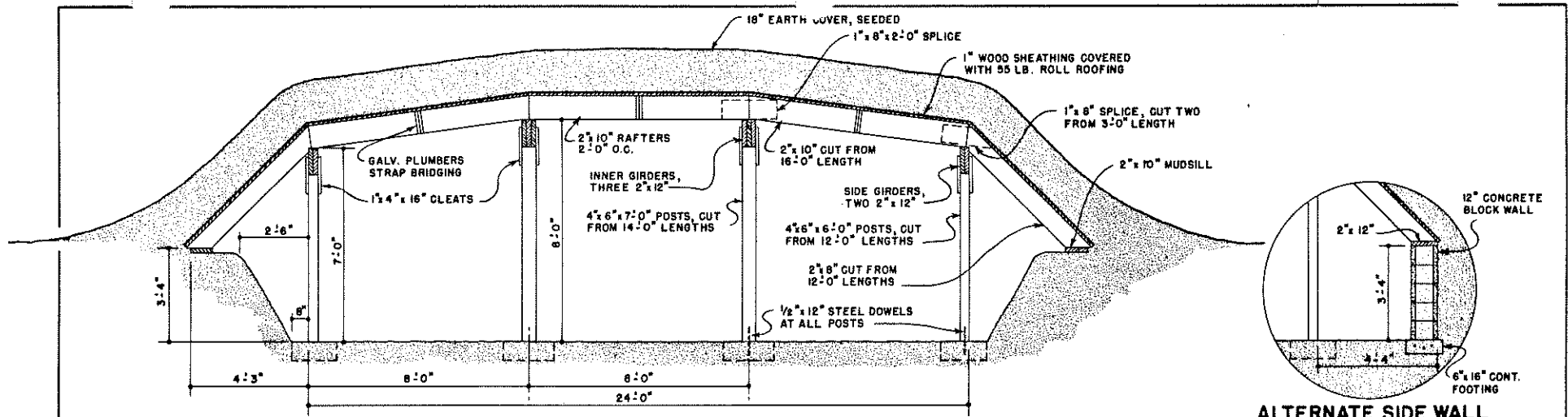
SCALE: 0 2 4 6 FT.

COOPERATIVE EXTENSION WORK IN
AGRICULTURE AND HOME ECONOMICS
DEPARTMENT OF AGRICULTURAL ENGINEERING
UNIVERSITY OF MARYLAND

AND
UNITED STATES DEPARTMENT OF AGRICULTURE COOPERATING

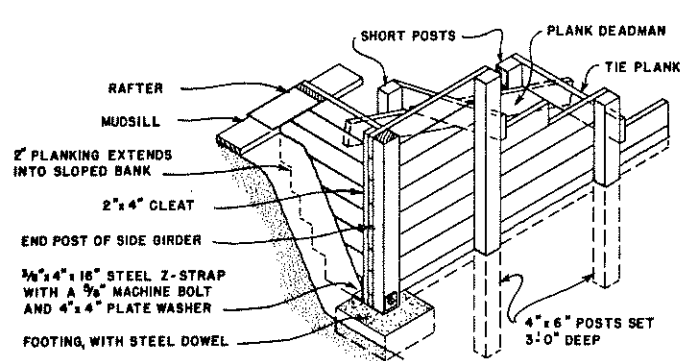
BUNKER-TYPE FALLOUT SHELTER
FOR BEEF CATTLE

USDA '63 EX. 5950 SHEET 1 OF 2

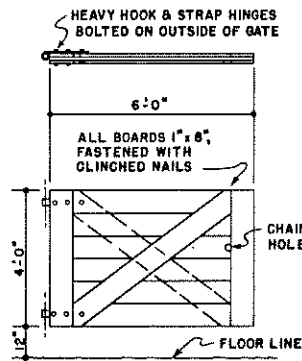


TYPICAL CROSS SECTION
3-BAY SHELTER
(45 HEAD)

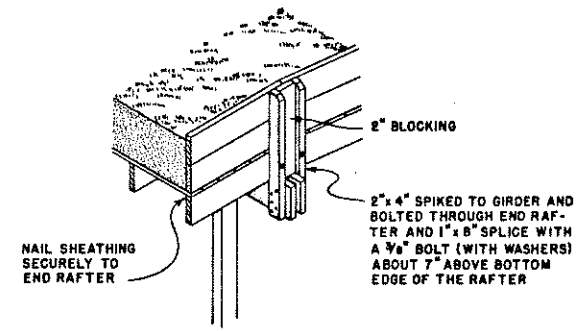
ALTERNATE SIDE WALL



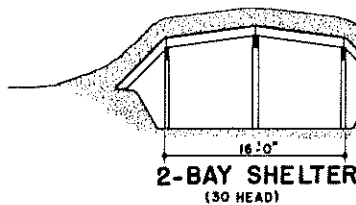
RETAINING WALL



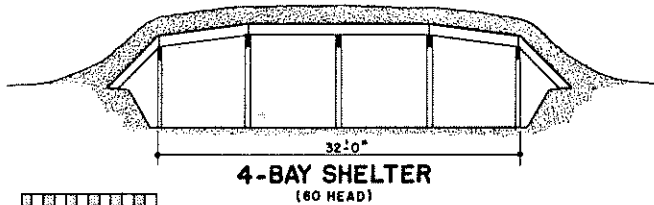
ENTRANCE GATE



PARAPET SUPPORTS



2-BAY SHELTER
(30 HEAD)



4-BAY SHELTER
(80 HEAD)

SCALE: 0 4 8 12 FT.

0 1 2 3 4 FT., EXCEPT AS NOTED

COOPERATIVE EXTENSION WORK IN
AGRICULTURE AND HOME ECONOMICS
DEPARTMENT OF AGRICULTURAL ENGINEERING
UNIVERSITY OF MARYLAND
AND
UNITED STATES DEPARTMENT OF AGRICULTURE COOPERATING

BUNKER-TYPE FALLOUT SHELTER
FOR BEEF CATTLE

USDA	'63	EX. 5950	SHEET 2 OF 2
------	-----	----------	--------------