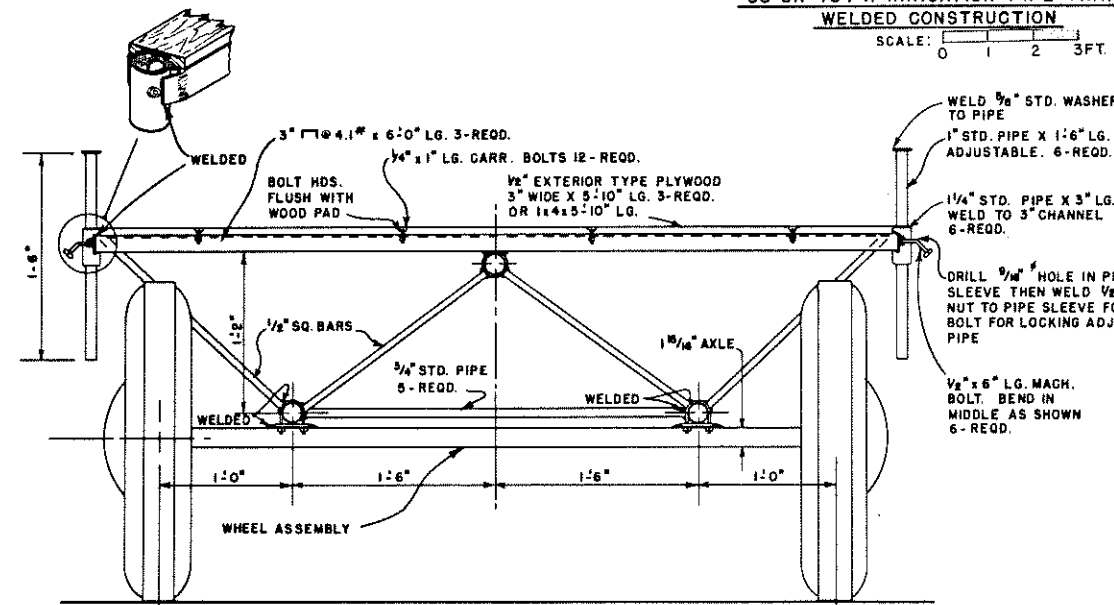
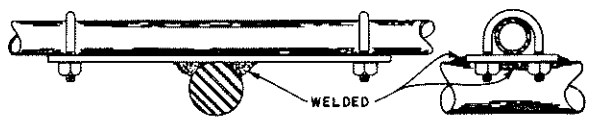
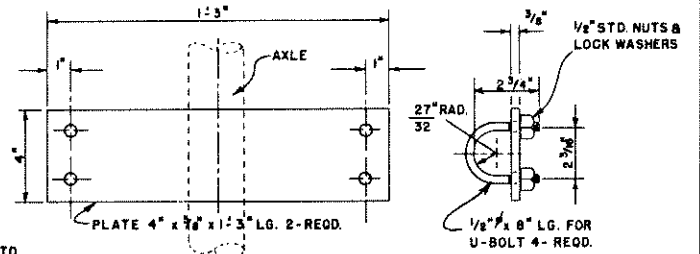


**ELEVATION**  
**30 OR 40 FT. IRRIGATION PIPE TRAILER**  
**WELDED CONSTRUCTION**  
 SCALE: 0 1 2 3 FT.



**SECTION A-A**  
 SCALE 0 1 FT.



**AXLE BRACKETS**  
 SCALE 0 2 4 6 IN.

COOPERATIVE EXTENSION WORK IN  
 AGRICULTURE AND HOME ECONOMICS  
 DEPARTMENT OF AGRICULTURAL ENGINEERING  
 UNIVERSITY OF MARYLAND  
 AND  
 UNITED STATES DEPARTMENT OF AGRICULTURE COOPERATING

**IRRIGATION PIPE TRAILER**  
 FOR 30 OR 40 FT. ALUM. PIPE

DRE. '62 EX. 5942 SHEET 1 OF 1