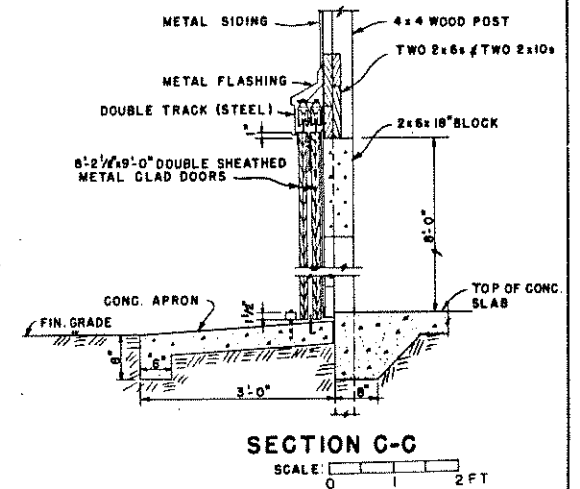
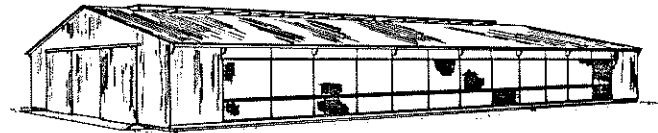


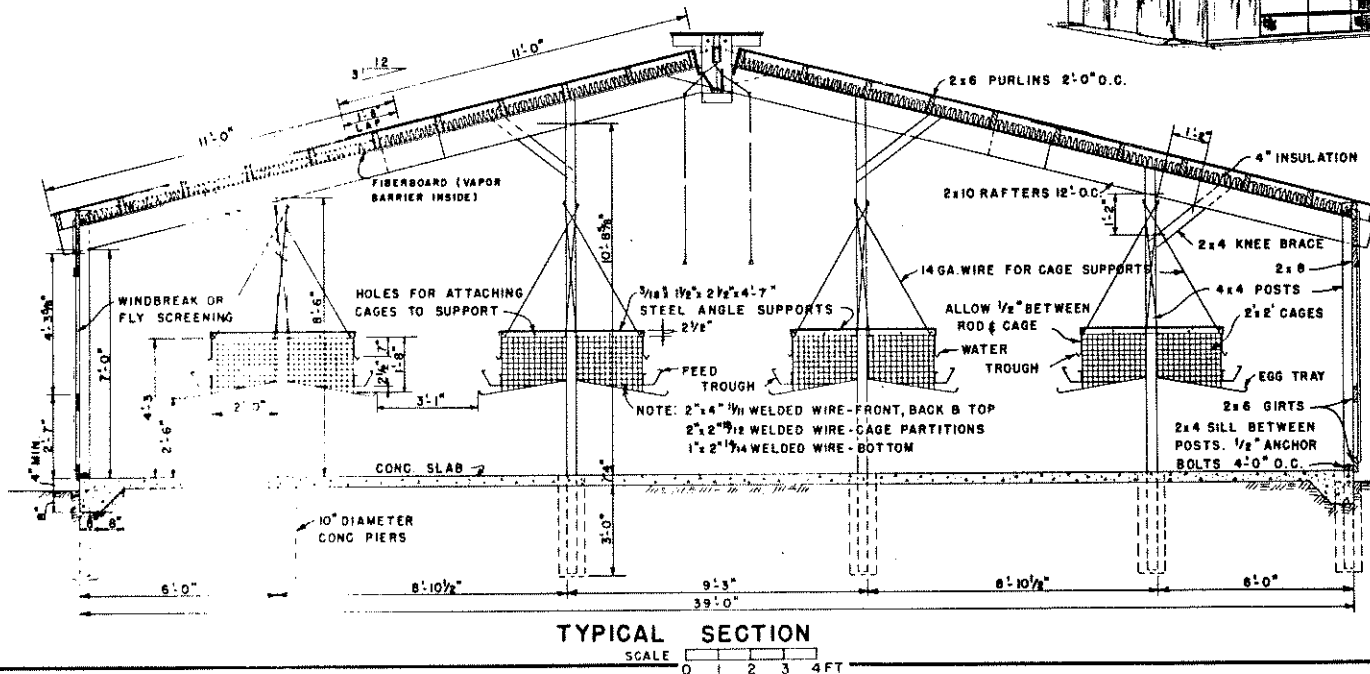
PLAN
SCALE: 0 4 8 12 FT.



SECTION C-C
SCALE: 0 1 2 FT.



PERSPECTIVE

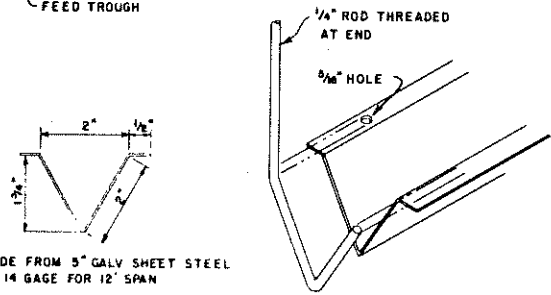
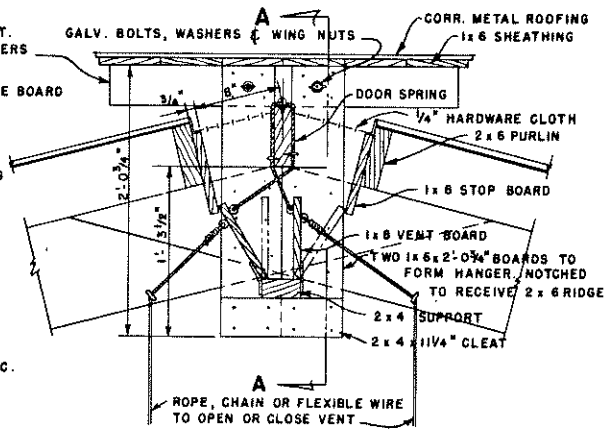
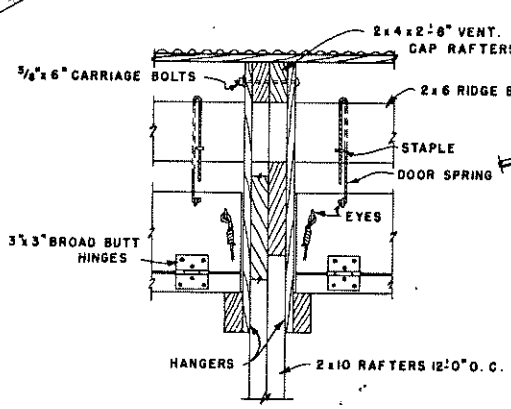
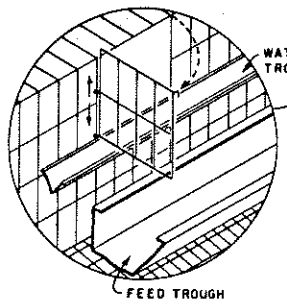
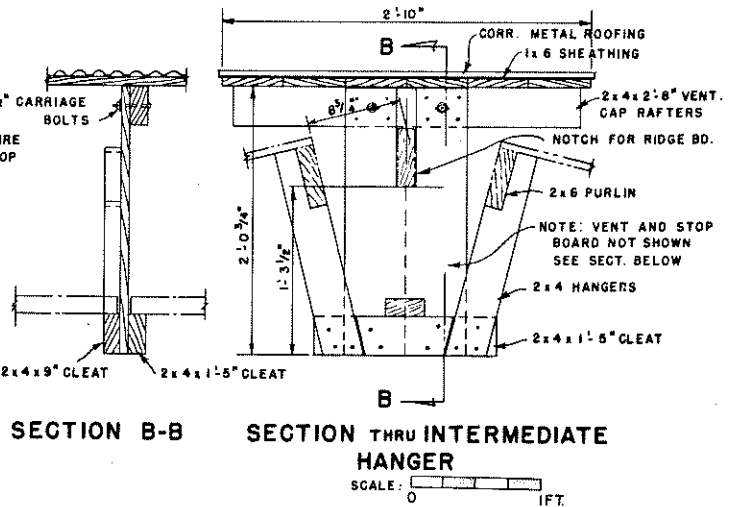
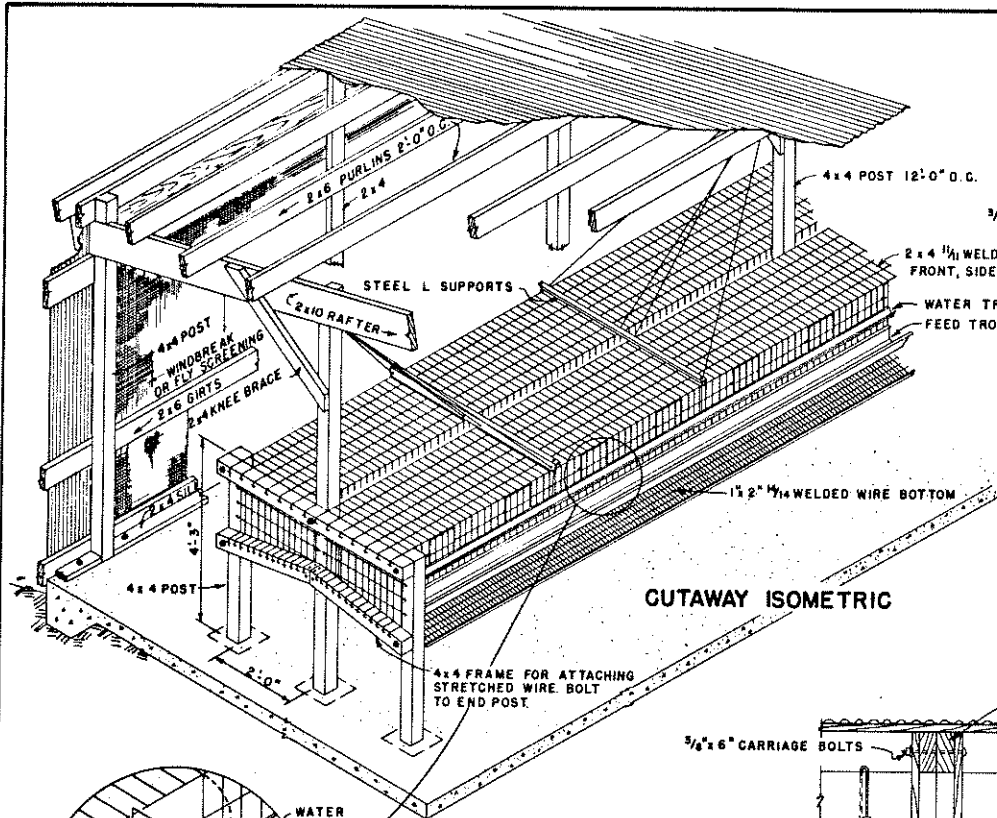


TYPICAL SECTION
SCALE: 0 1 2 3 4 FT.

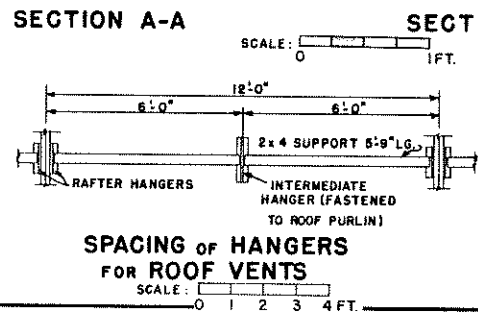
NOTES: LENGTH OF THE BUILDING MAY BE VARIED IN UNITS OF 12 FEET. THIS STRUCTURE IS PRIMARILY INTENDED FOR USE IN AREAS WHERE THE SNOW LOAD DOES NOT EXCEED 20 LBS. PER SQUARE FOOT AND WIND DOES NOT EXCEED 75 MILES PER HOUR. ALL POSTS AND WOOD IN CONTACT WITH THE GROUND TO BE TREATED WITH A PRESERVATIVE. DIMENSIONS OF ALL WOOD MEMBERS SHOWN ARE BASED ON THE USE OF DRESSED LUMBER. THICKENED SLAB MUST BE DEEP ENOUGH TO BEAR ON SOLID GROUND. EQUIP METAL COVERED BLDG. WITH AN ADEQUATE LIGHTNING PROTECTION SYSTEM WHERE NEEDED.

COOPERATIVE EXTENSION WORK IN
AGRICULTURE AND HOME ECONOMICS
DEPARTMENT OF AGRICULTURAL ENGINEERING
UNIVERSITY OF MARYLAND
AND
UNITED STATES DEPARTMENT OF AGRICULTURE COOPERATING

STRETCHED WIRE
COLONY CAGE HOUSE
USDA '61 EX. 5931 SHEET 1 OF 2



TROUGH MADE FROM 5" GALV SHEET STEEL
USE 14 GAGE FOR 12" SPAN



COOPERATIVE EXTENSION WORK IN
AGRICULTURE AND HOME ECONOMICS
DEPARTMENT OF AGRICULTURAL ENGINEERING
UNIVERSITY OF MARYLAND
AND
UNITED STATES DEPARTMENT OF AGRICULTURE COOPERATING

**STRETCHED WIRE
COLONY CAGE HOUSE**

USDA '61 EX. 5931 SHEET 2 OF 2