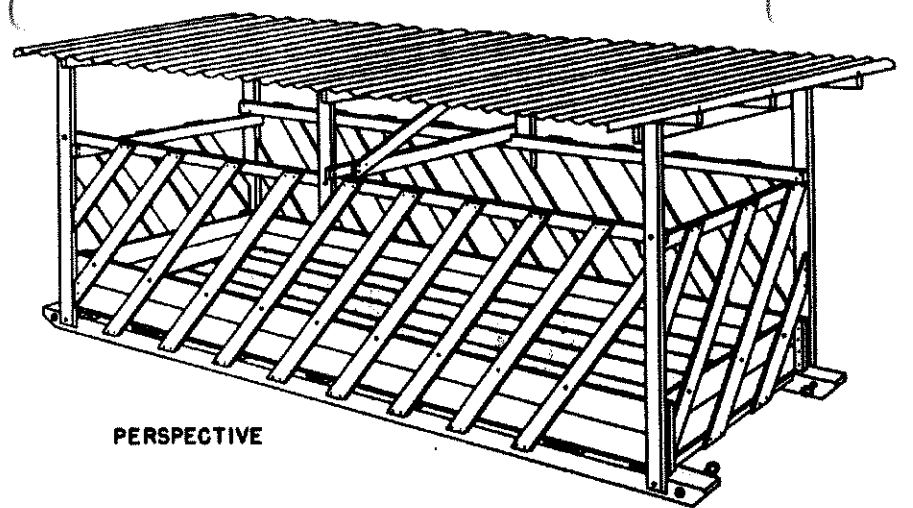
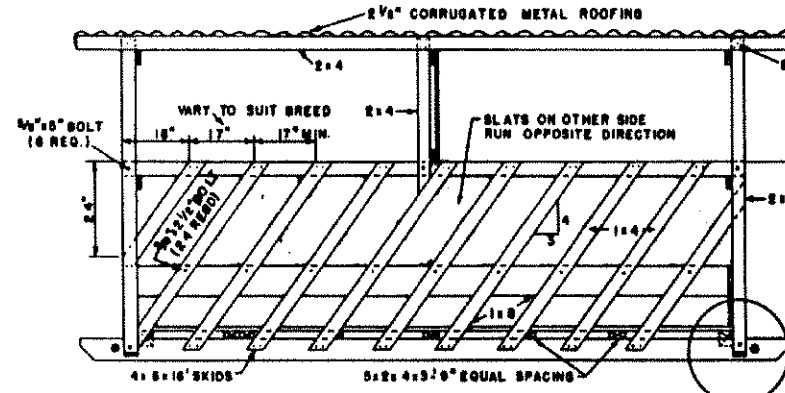


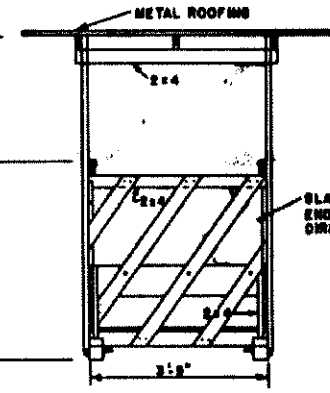
ROOF FLOOR FRAME
PLAN



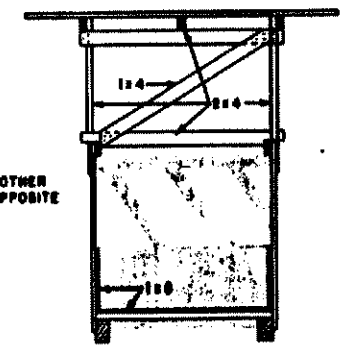
PERSPECTIVE



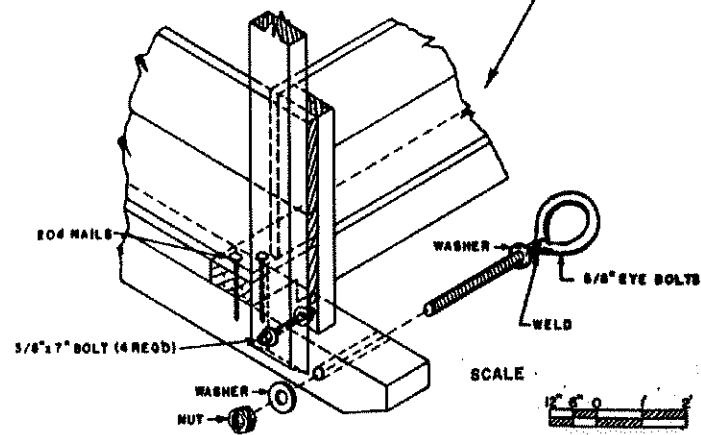
SIDE VIEW



END VIEW



CROSS SECTION



NOTES:
ALL LUMBER IN CONTACT WITH OR WITHIN 12" OF GROUND SHOULD BE PRESSURE TREATED.
SOME PRESSURE TREATED POSTS & LUMBER USE PRESERVATIVES THAT EPA DOES NOT ALLOW IN CONTACT WITH FEED. IN SUCH CASES, PLYWOOD OR PLASTIC SHOULD BE USED AS A LINER. CHECK SUPPLIER OR LABELS FOR GUIDANCE.
NAILS AND BOLTS SHOULD BE GALVANIZED
6d NAILS USED FOR SLATS SIDES AND FLOOR

MATERIAL LIST:

- 13-1x6x10" SLATS AND BRACES
- 1-4x4x8" SPREADERS
- 2-4x4x10" BRIDS
- 11-1x6x12" BUNK
- 4-2x4x10"
- 8-2x4x14"
- 3-2x4x8"

HARDWARE:

- 8-SHEETS 2 1/2" CORRUGATED METAL - 7' LONG ROOFING NAILS
- 6d-6Ld.
- 20d-16Ld.
- 20d-16Ld.
- 24- 3/8" x 7" BOLTS
- 4- 3/8" x 7" BOLTS
- 1- 3/8" x 7" BOLTS
- 4- EYE BOLTS 5/8"

COOPERATIVE EXTENSION WORK IN AGRICULTURE AND HOME ECONOMICS

AND UNITED STATES DEPARTMENT OF AGRICULTURE COOPERATING

CATTLE FEEDING RACK
FOR MAY & JUN 1988

USDA '81 EX. 5925 SHEET 1 OF 1

REVISED '88