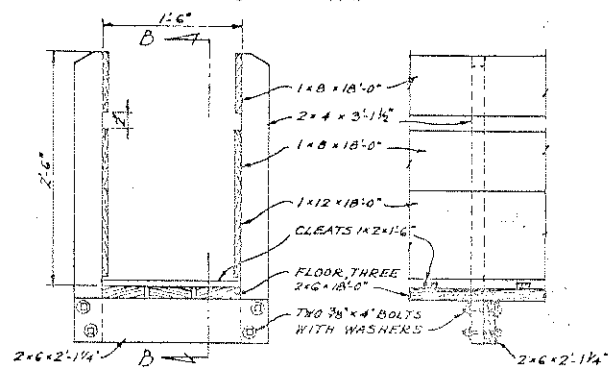
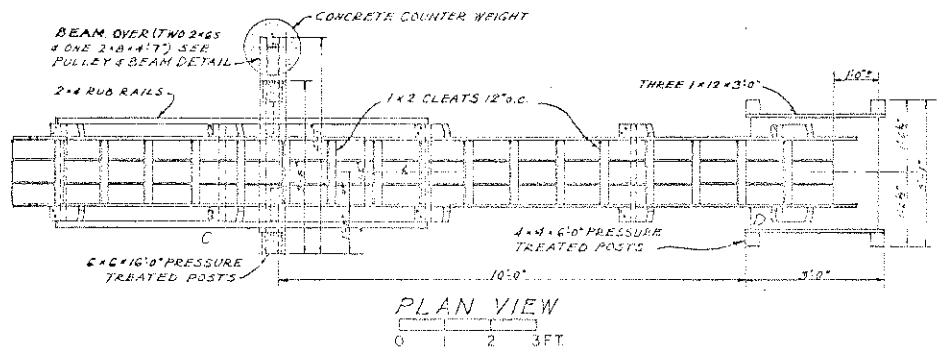
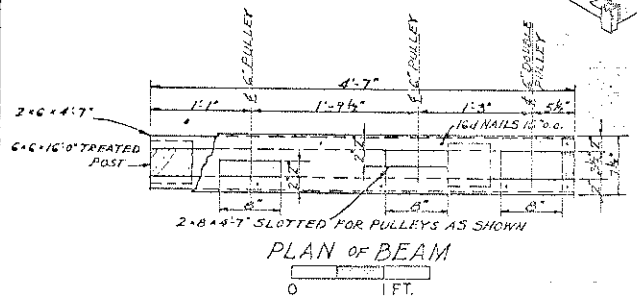
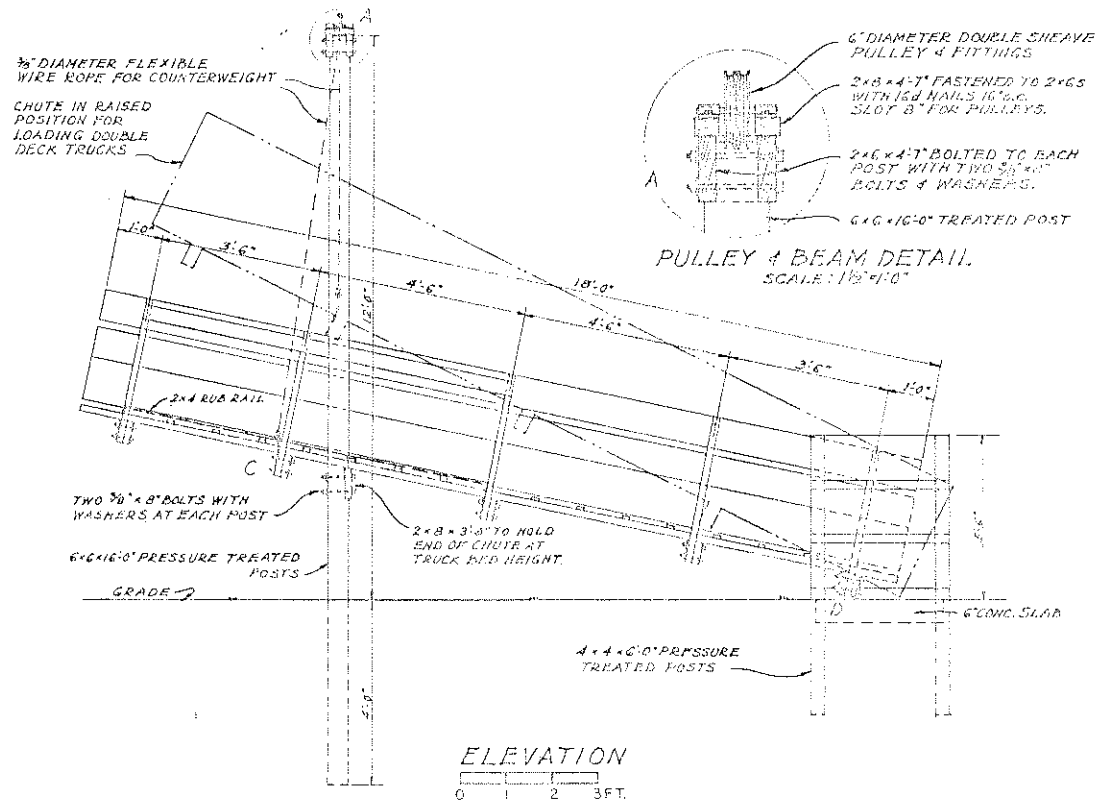
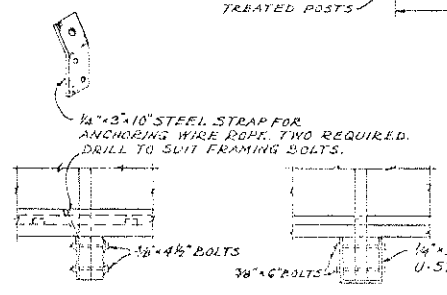


ISOMETRIC VIEW
OF COMPLETED CHUTE



INSIDE ELEVATION
AT B-B



DETAIL AT C

DETAIL AT D

0 1 FT.

NOTE: DRESSED LUMBER TO BE USED THRU-OUT.

COOPERATIVE EXTENSION WORK IN
AGRICULTURE AND HOME ECONOMICS
DEPARTMENT OF AGRICULTURAL ENGINEERING
UNIVERSITY OF MARYLAND
AND
UNITED STATES DEPARTMENT OF AGRICULTURE COOPERATING

VARIABLE HEIGHT LOADING CHUTE
FOR SHEEP

USDA '61	EX. 5924	SHEET 1 OF 1
----------	----------	--------------