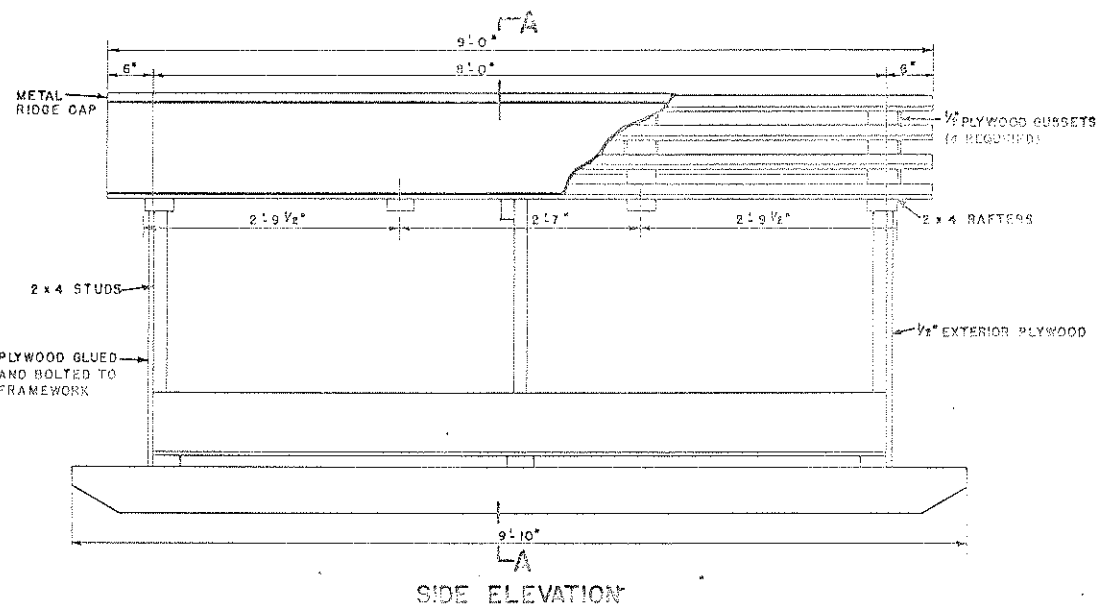
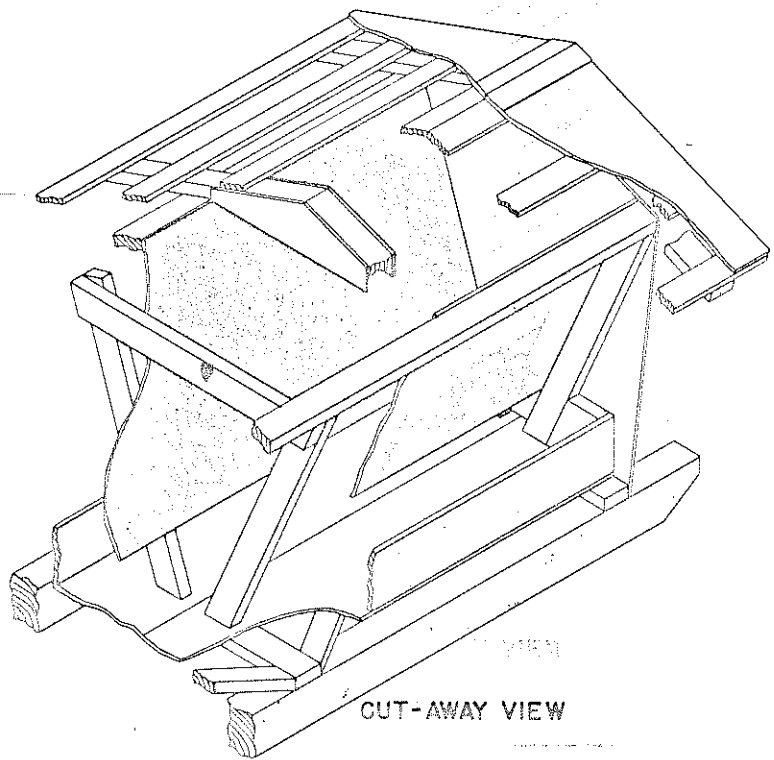


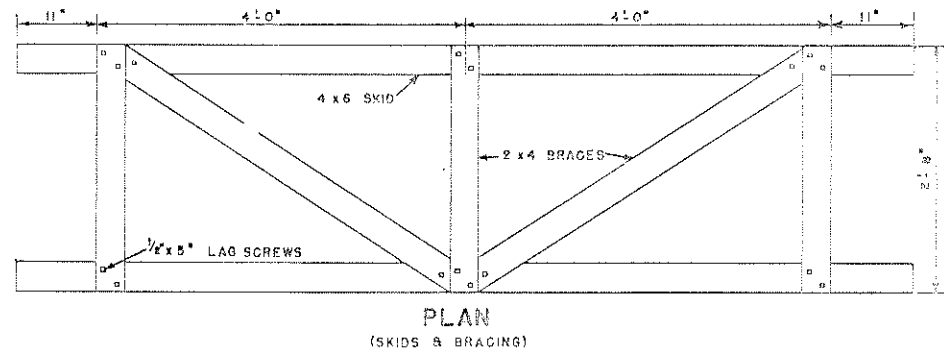
CROSS SECTION A-A



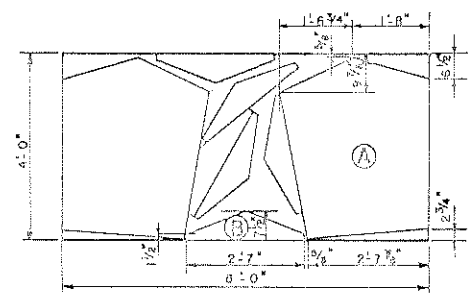
SIDE ELEVATION



CUT-AWAY VIEW

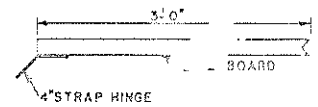


PLAN (SKIDS & BRACING)



CUTTING DIAGRAM FOR PLYWOOD

NOTE:  
CUT 1/2" EXTERIOR GRADE PLYWOOD AS SHOWN ON DIAGRAM ABOVE.  
ALL WOOD SHOULD BE TREATED WITH A NON-TOXIC PRESERVATIVE.



NOTE: NON-CORROSIVE FASTENINGS SHOULD BE USED THRU-OUT.

COOPERATIVE EXTENSION WORK IN  
AGRICULTURE AND HOME ECONOMICS  
DEPARTMENT OF AGRICULTURAL ENGINEERING  
UNIVERSITY OF MARYLAND  
AND  
UNITED STATES DEPARTMENT OF AGRICULTURE COOPERATING

PORTABLE SELF-FEEDER  
FOR SHEEP

CAL. '80 EX. 597A SHEET 1 OF 1