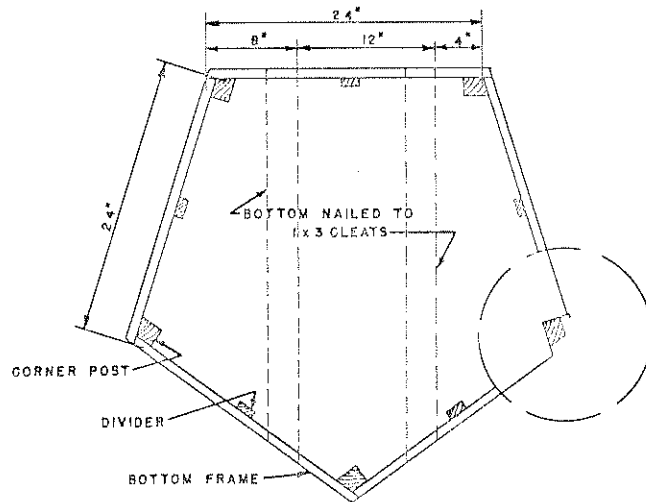
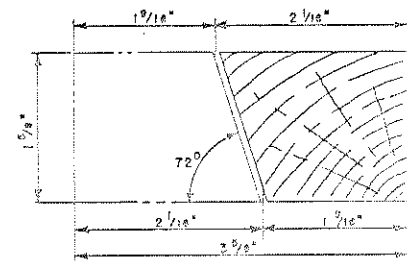


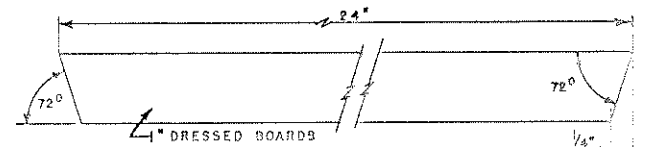
BOTTOM PANEL
 1/4" TEMPERED HARBOARD OR
 3/8" EXTERIOR GRADE PLYWOOD



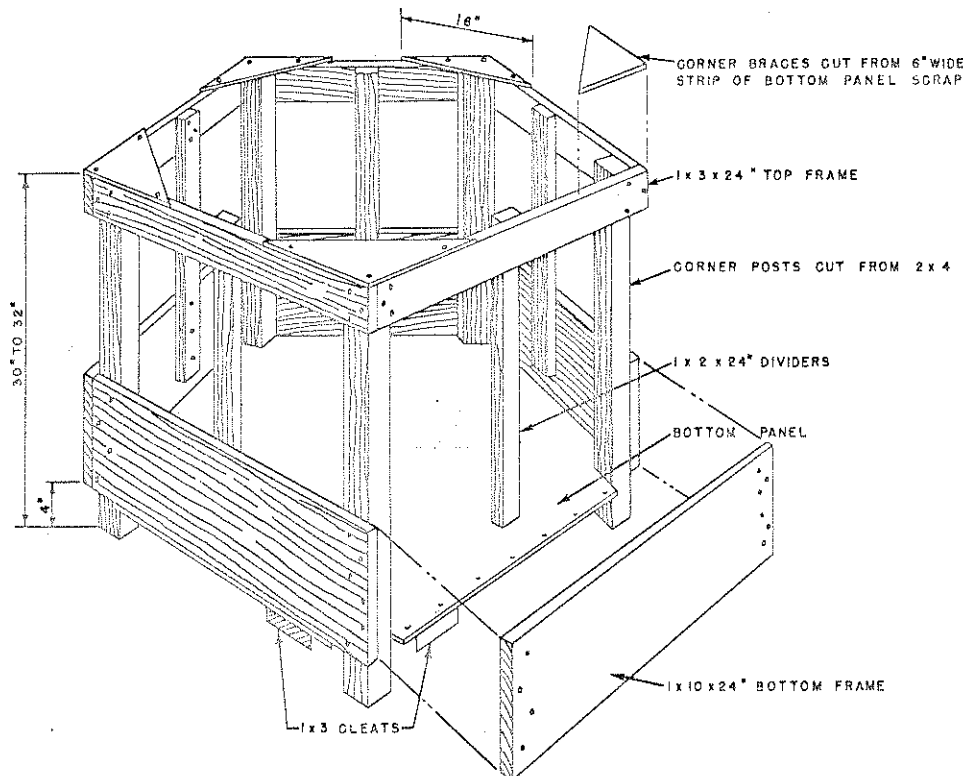
PLAN VIEW
 TO SHOW ASSEMBLY



CORNER POST DETAIL
 RIP FROM DRESSED 2x4
 SCALE: FULL SIZE



FRAME BOARD DETAIL
 SHOWING BEVEL END-CUT
 SCALE: FULL SIZE



LIST OF MATERIALS

CORNER POSTS	ONE	2x4x8'0"
BOTTOM FRAME	ONE	1x10x24'
TOP FRAME AND		
BOTTOM CLEATS	ONE	1x3x24'
DIVIDERS	ONE	1x2x10'0"
BOTTOM PANEL AND		
CORNER BRACES	ONE	40"x48"
NAILS (RING OR SCREW SHANK)		4 1/2 5d
BOX GALV.		1 1/2"

NOTES:
 FOR SMALL EWES OR LAMBS
 SUBSTITUTE 1x6 DIVIDERS
 AND 1x6 BOTTOM FRAME
 BOARDS.
 TREAT WOOD PARTS WITH
 COPPER NAPHTHANATE OR
 PENTACHLOROPHENOL.

COOPERATIVE EXTENSION WORK IN
 AGRICULTURE AND HOME ECONOMICS
 DEPARTMENT OF AGRICULTURAL ENGINEERING
 UNIVERSITY OF MARYLAND
 AND
 UNITED STATES DEPARTMENT OF AGRICULTURE COOPERATING

HAY & GRAIN FEEDER
 FOR 10 SHEEP

USDA '50 EX. 5970 SHEET 1 OF 1