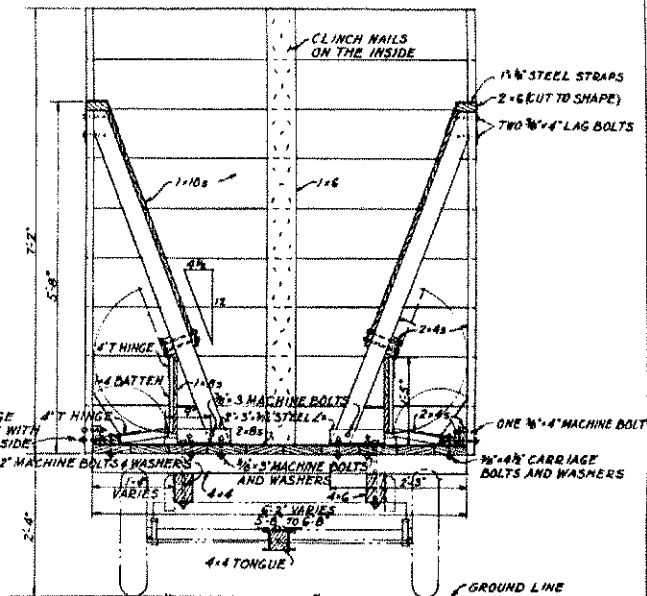
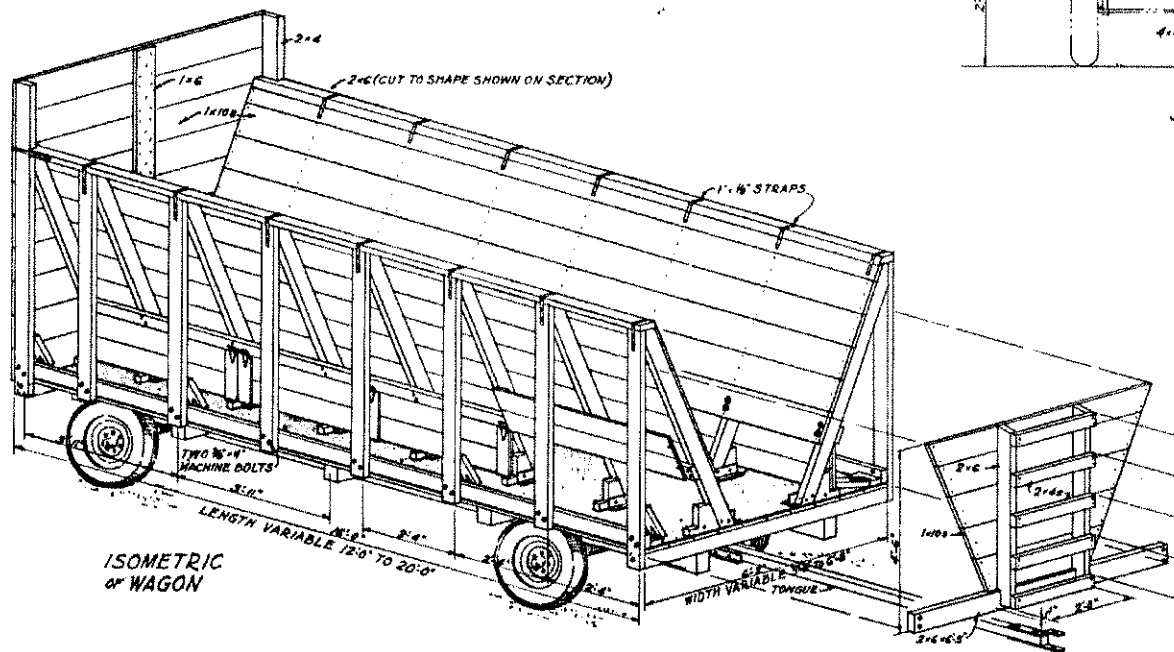


ISOMETRIC OF GATE STOP AND LOCK



SECTION  
SCALE 0 1 2 FT.



ISOMETRIC  
OF WAGON

COOPERATIVE EXTENSION WORK IN  
AGRICULTURE AND HOME ECONOMICS  
DEPARTMENT OF AGRICULTURAL ENGINEERING  
UNIVERSITY OF MARYLAND  
AND  
UNITED STATES DEPARTMENT OF AGRICULTURE COOPERATING

**SELF-FEEDING HAY WAGON**

MONT. '60 | EX. 5908 | SHEET 1 OF 1