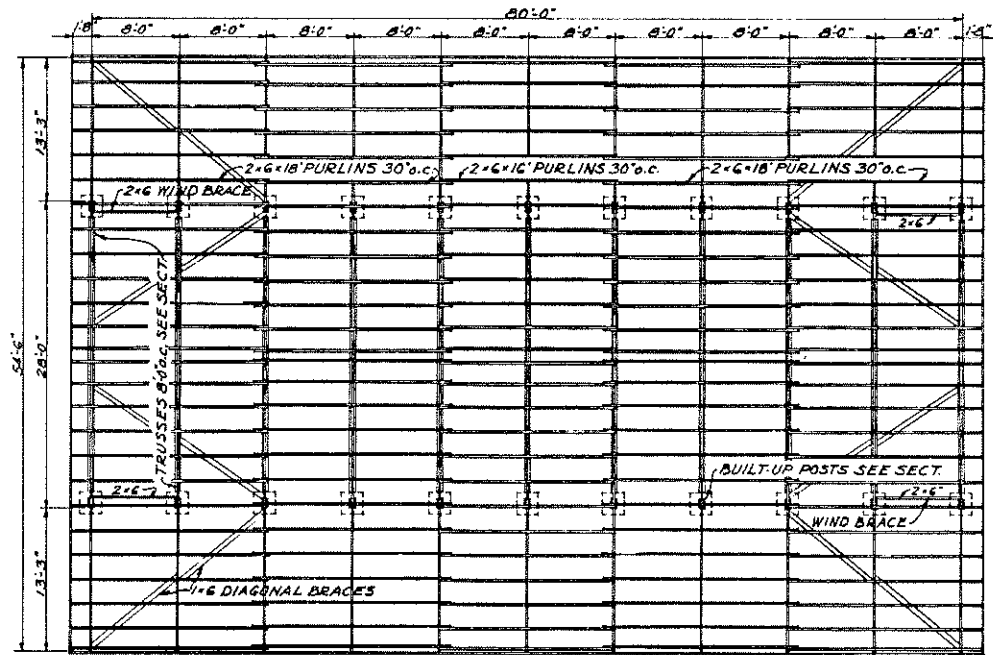
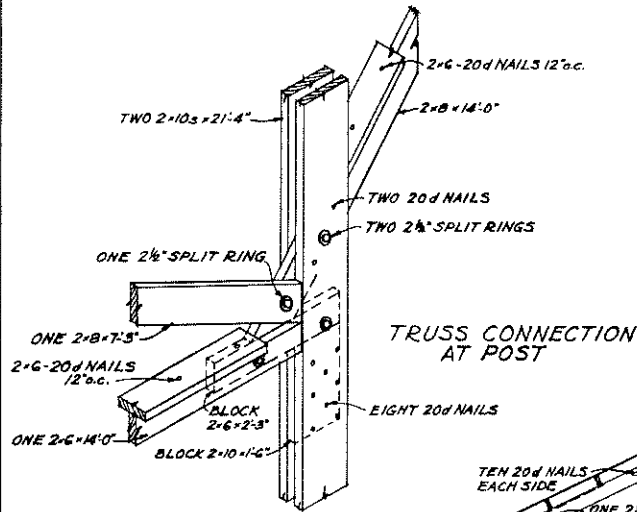


PERSPECTIVE

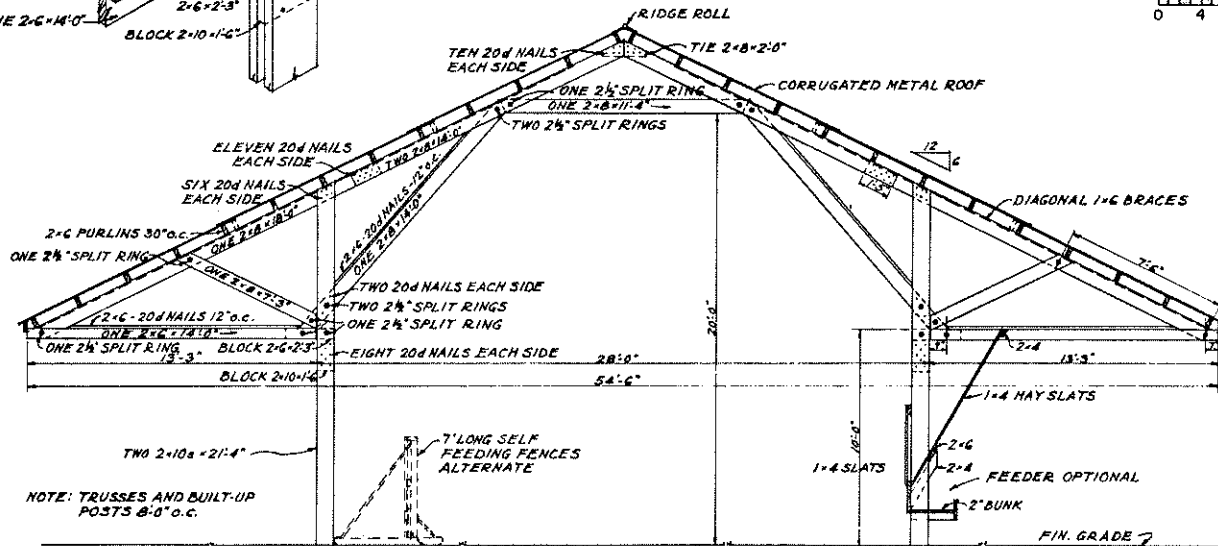


ROOF FRAMING PLAN

0 4 8 12 FT.



TRUSS CONNECTION AT POST



SECTION

0 2 4 6 FT.

NOTE:
 LENGTH OF BUILDING MAY BE VARIED
 IN UNITS OF 8 FEET.
 DIMENSIONS OF MEMBERS SHOWN ARE
 BASED ON THE USE OF DRESSED LUMBER.
 ALL LUMBER IN CONTACT WITH THE GROUND
 TO BE IMPREGNATED WITH A WOOD PRESERVATIVE
 HAY MANAGERS, SELF FEEDING FENCES OR
 OTHER FEEDING ARRANGEMENTS ARE OPTIONAL.
 METAL ROOF ON 2x4 PURLINS 24" o.c. OR ON
 2x6s AS SHOWN, SHOULD BE APPLIED
 ACCORDING TO MANUFACTURER'S DIRECTIONS.
 EQUIP BUILDING WITH AN ADEQUATE
 LIGHTNING PROTECTION SYSTEM IN AREAS
 WHERE NEEDED.

COOPERATIVE EXTENSION WORK IN
 AGRICULTURE AND HOME ECONOMICS
 DEPARTMENT OF AGRICULTURAL ENGINEERING
 UNIVERSITY OF MARYLAND
 AND
 UNITED STATES DEPARTMENT OF AGRICULTURE COOPERATING

OPEN HAY STORAGE BUILDING

USDA '60 EX. 5879 SHEET 1 OF 1

BASED ON CALIF. PLAN C-244-2-1