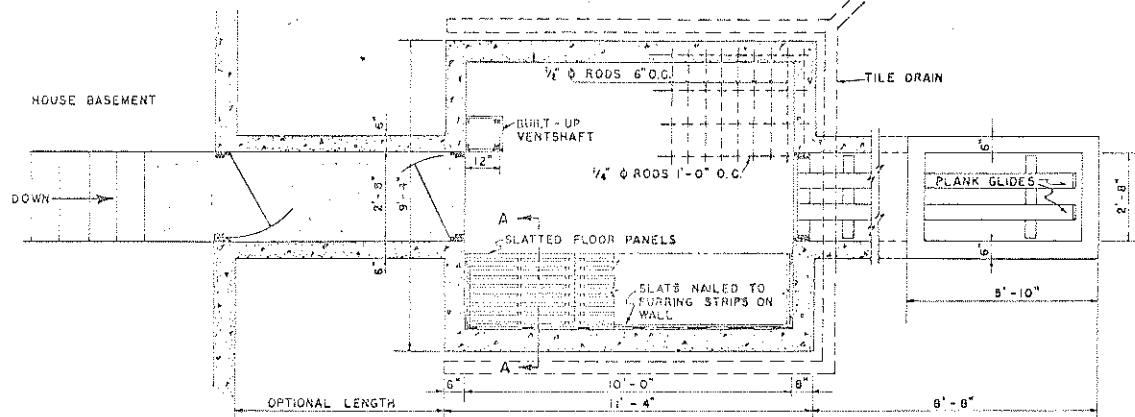
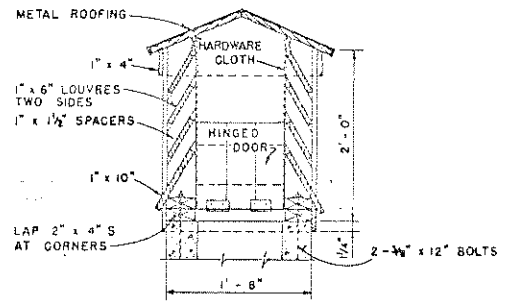


LONGITUDINAL SECTION

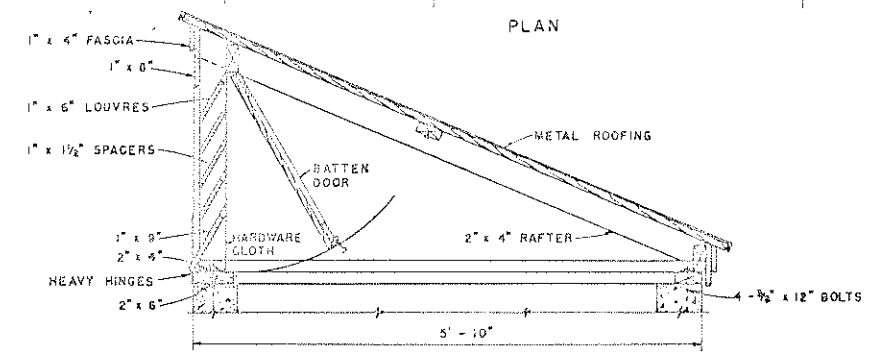
CROSS SECTION



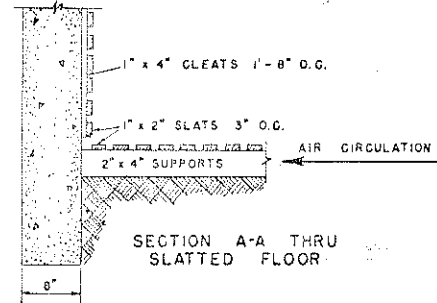
PLAN



SECTION THRU VENTILATOR



DETAIL OF HINGED COVER FOR OUTSIDE FILLING DOOR



SECTION A-A THRU SLATTED FLOOR

COOPERATIVE EXTENSION WORK IN
 AGRICULTURE AND HOME ECONOMICS
 DEPARTMENT OF AGRICULTURAL ENGINEERING
 UNIVERSITY OF MARYLAND
 AND
 UNITED STATES DEPARTMENT OF AGRICULTURE COOPERATING

STORM & STORAGE CELLAR

U.S. D. A. '39 EX. 5866 SHEET 1 OF 1