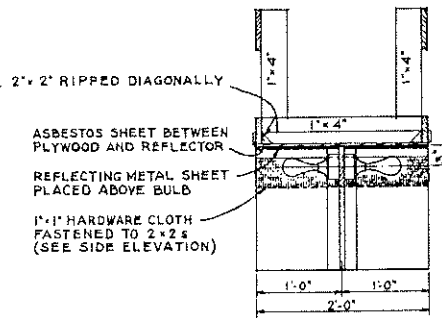
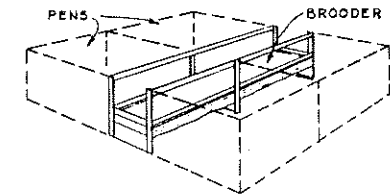


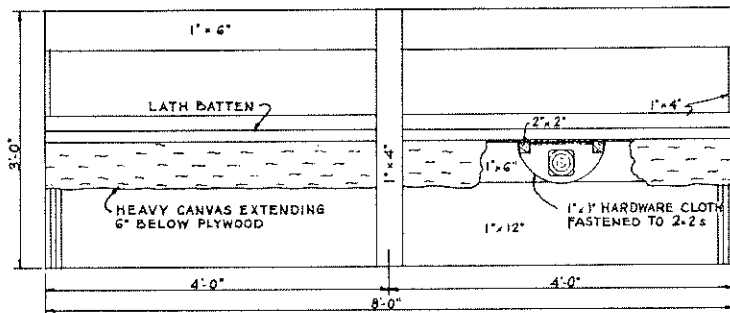
PLAN



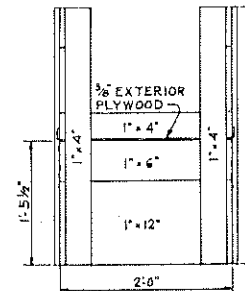
SECTION A-A



DIAGRAMMATIC LAYOUT OF BROODER AND PENS



SIDE ELEVATION

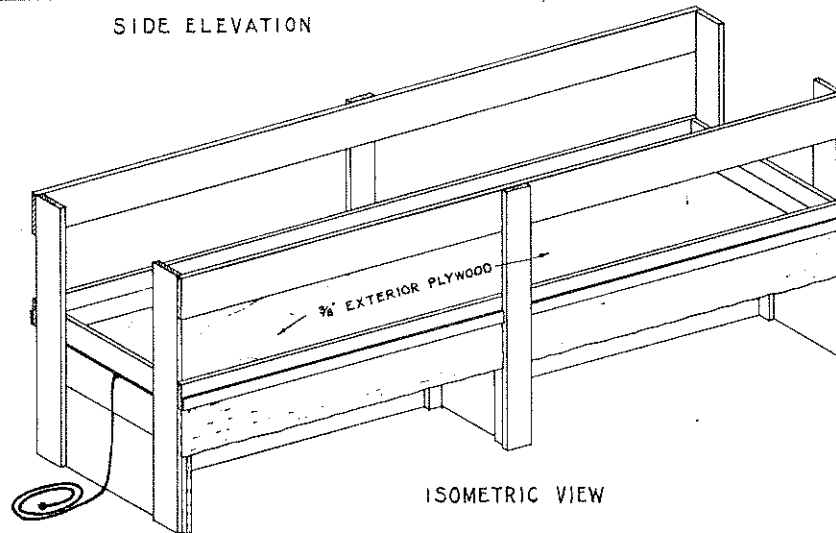


END ELEVATION

BILL OF MATERIALS

- LUMBER:
- 1" x 2" x 12'-0" 1 PC.
 - 1" x 4" x 10'-0" 4 PCS.
 - 1" x 6" x 10'-0" 3 PCS.
 - 1" x 12" x 14'-0" 1 PC.
 - 2" x 2" x 8'-0" 1 PC.
 - 2" x 2" x 10'-0" 1 PC.
- MISCELLANEOUS:
- 2'-0" x 8'-0" x 3/8" 1 PC. EXTERIOR PLYWOOD
 - 1'-0" x 6'-0" 1 PC. 1" x 1" HARDWARE CLOTH
 - 1'-0" x 4'-0" 1 PC. REFLECTING METAL
 - 2'-8" x 4'-0" 1 PC. HEAVY CANVAS
- ELECTRICAL:
- NON-METALLIC JUNCTION BOXES 4 EA.
 - PORCELAIN LIGHT RECEPTACLE (PULL CHAIN OPTIONAL) 4 EA.
 - LIGHT BULBS (SIZE VARIES WITH HEATING REQUIREMENTS) 4 EA.
 - NON-METALLIC SHEATHED CABLE NO. 14-2 10 FT.
 - RUBBER COATED EXTENSION CORD NO. 14-2 10 FT.
 - MALE PLUG 1 EA.

NOTE:
ATTACH FOUR 4'-4" LAMBING PENS TO EACH OF THESE UNITS.
WHEN THE UNITS ARE PLACED END TO END, EACH BROODER MUST BE PLUGGED IN SEPARATELY TO AN ELECTRICAL SERVICE OUTLET WHICH IS PROPERLY WIRED TO CARRY THE LOAD.



ISOMETRIC VIEW

SCALE: 1"=1'-0" UNLESS OTHERWISE NOTED.

COOPERATIVE EXTENSION WORK IN
AGRICULTURE AND HOME ECONOMICS
DEPARTMENT OF AGRICULTURAL ENGINEERING
UNIVERSITY OF MARYLAND
AND
UNITED STATES DEPARTMENT OF AGRICULTURE COOPERATIVE

COMBINATION
LAMB BROODER AND EWES FEEDER

ORE. '58 EX. 5863 SHEET 1 OF 1