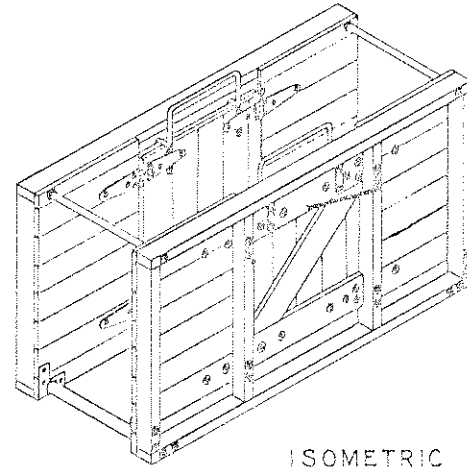
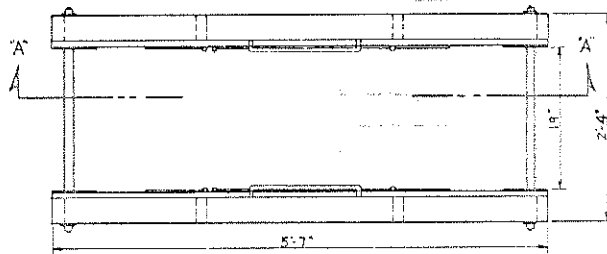


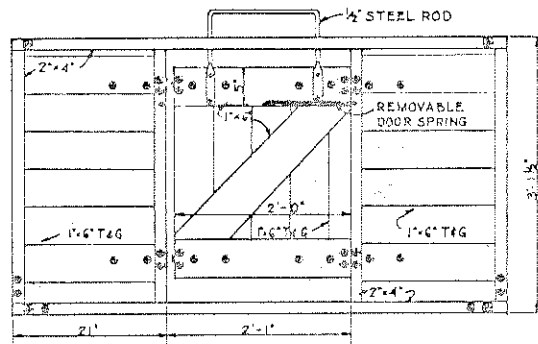
SECTION A-A



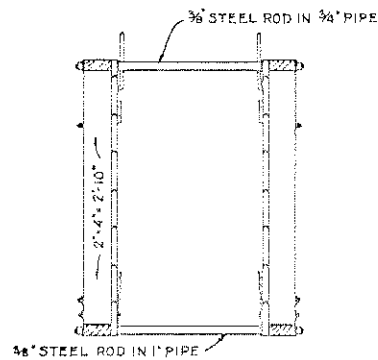
ISOMETRIC
SCALE: 0 1 2 FT.



PLAN



SIDE ELEVATION



END ELEVATION

NOTE:
FOR BOTH DOORS-
DOOR SPRING AND HINGE PIN ROD CAN
BE MOVED TO OTHER EDGE OF DOOR
TO REVERSE DIRECTION OF DOOR OPENING.

SCALE: 1"=10" EXCEPT WHERE OTHERWISE
NOTED.

COOPERATIVE EXTENSION WORK IN AGRICULTURE AND HOME ECONOMICS DEPARTMENT OF AGRICULTURAL ENGINEERING UNIVERSITY OF MARYLAND		
AND UNITED STATES DEPARTMENT OF AGRICULTURE COOPERATING		
THREE-WAY CUTTING GATES FOR SHEEP		
MONT. '58	EX. 5859	SHEET 1 OF 1

SHEEP