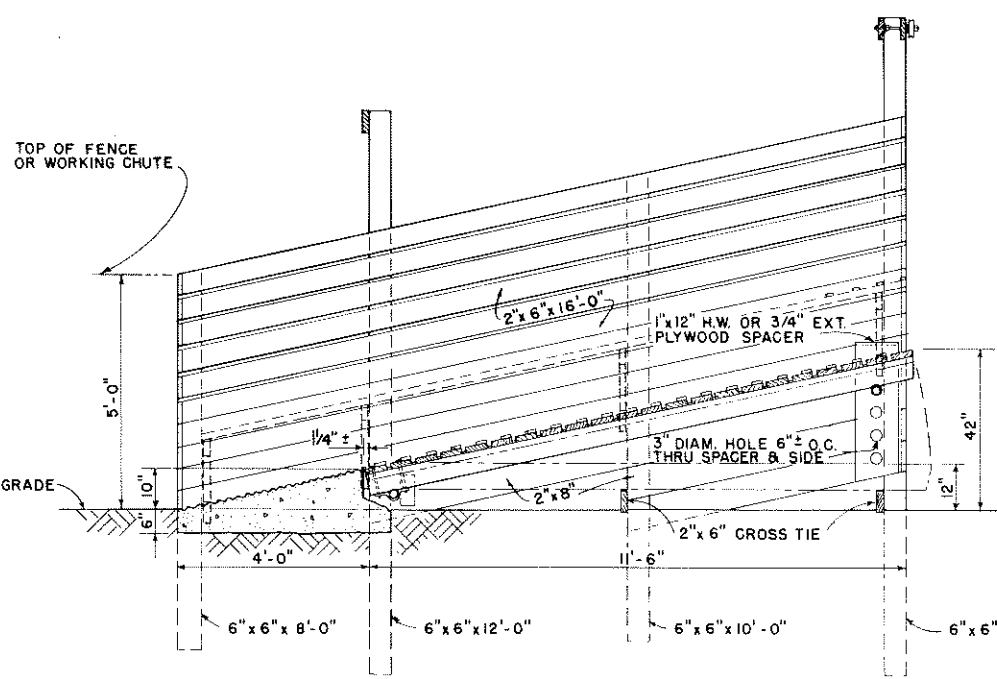
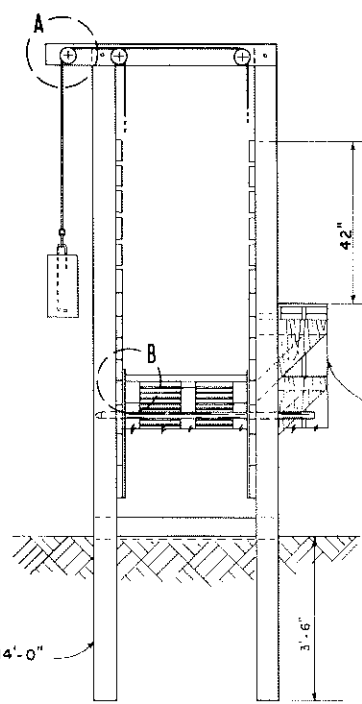


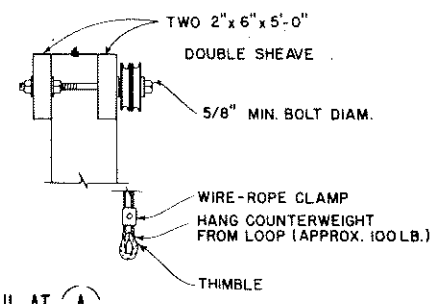
PLAN
(HINGED RAMP NOT SHOWN)



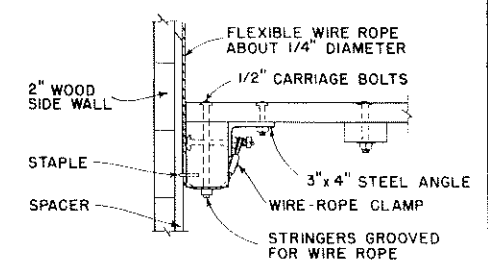
LONGITUDINAL SECTION



END ELEVATION



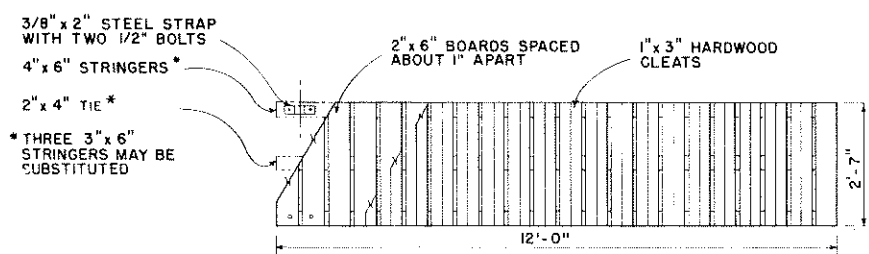
DETAIL AT A
SCALE: 1/2" = 1'-0"



DETAIL AT B

NOTE: ALL WOOD SHOULD BE PRESSURE-TREATED WITH PRESERVATIVE.
DIMENSIONS SHOWN ARE BASED ON THE USE OF DRESSED LUMBER.

SCALE: 1/2" = 1'-0", EXCEPT AS NOTED



PLAN OF HINGED RAMP

COOPERATIVE EXTENSION WORK IN AGRICULTURE AND HOME ECONOMICS		
NORTH DAKOTA STATE UNIVERSITY		
DEPARTMENT OF AGRICULTURE AND APPLIED SCIENCES		
UNITED STATES DEPARTMENT OF AGRICULTURE COOPERATING		
VARIABLE-HEIGHT LOADING CHUTE FOR CATTLE		
USDA '57	EX. 5852	SHEET 1 OF 1