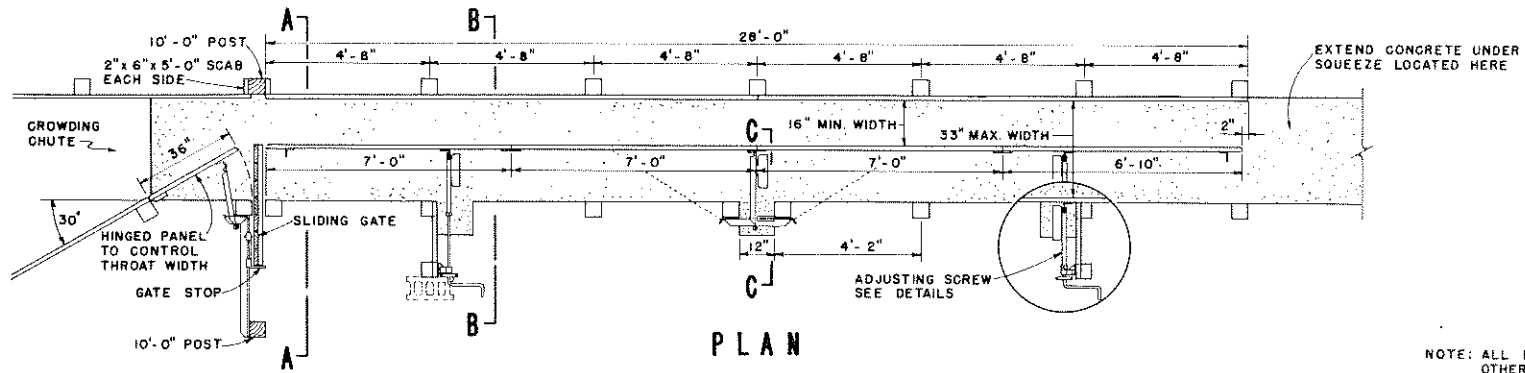


ADJUSTING SCREW DETAILS

(4 REQUIRED)

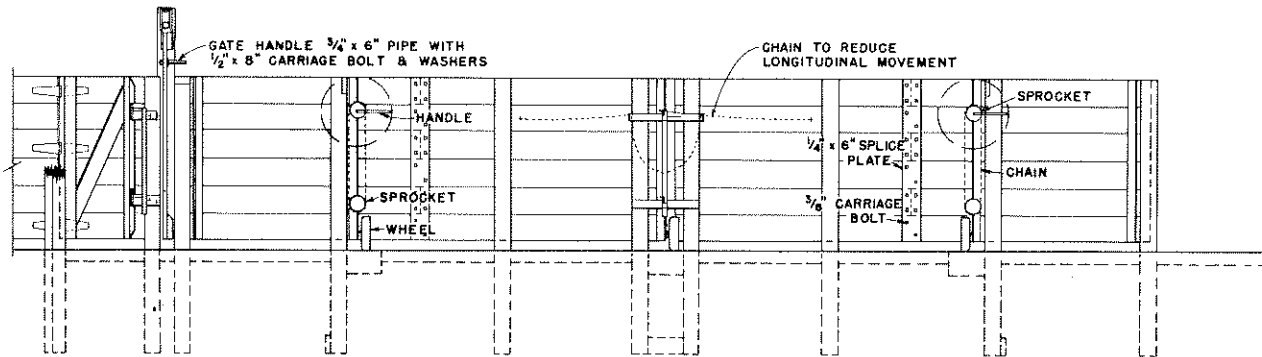
SCALE: $1\frac{1}{2}'' = 1' - 0''$



NOTE: ALL POSTS ARE 6" x 6" x 8'-0" UNLESS OTHERWISE NOTED.

2" x 10" PLANKING FOR FIXED & MOVABLE SIDES ALL 14'-0" LENGTHS WHICH MAY BE CUT TO PROVIDE STAGGERED JOINTS.

ALL WOOD TO BE PRESSURE-TREATED WITH PRESERVATIVE.



ELEVATION
(OPERATORS SIDE)

SCALE: $\frac{3}{8}'' = 1' - 0''$ UNLESS OTHERWISE NOTED

COOPERATIVE EXTENSION WORK IN
AGRICULTURE AND HOME ECONOMICS
NORTH DAKOTA STATE UNIVERSITY
OF AGRICULTURE AND APPLIED SCIENCE
AND
UNITED STATES DEPARTMENT OF AGRICULTURE COOPERATING

VARIABLE WIDTH CHUTE
FOR CATTLE

GAL '58 EX. 5850 SHEET 1 OF 2

BEND AND WELD FROM HEAVY FLAT BAR

LOCKING PIN HOLES 2" O.C.

3" x 3" x 1/4" ANGLE

BEARING PLATE BOLTS LOCATED NEAR CENTER OF 6" x 6" POST

BEARING PLATE 4" WIDE

THRUST BEARING

3/16" PLATE ANGLE BRACKET

1/2" CARRIAGE BOLTS

12" DIA. STEEL WHEEL

NOTCH FOR CHAIN

6" LENGTH OF 1/4" PIPE, SPLIT TO SLIDE ON ANGLE (THIS IS TO PREVENT NOTCHES FROM ENGAGING 3" x 3" ANGLE DURING ADJUSTMENT)

NOTE:
SIMILAR CONTROL NEEDED FOR GATE.

PLAN D-D

2" PIPE, ENDS PLUGGED, PINNED THRU POSTS (OR TRACK TO SUIT)

GATE HANDLE

MOVABLE STOP FOR SLIDING GATE

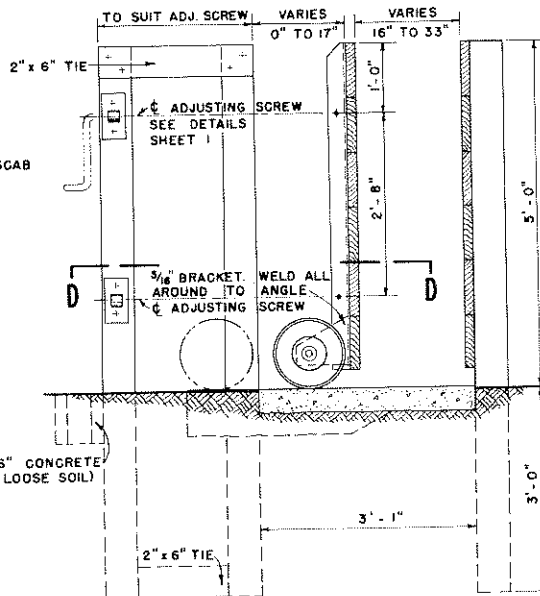
3" x 3" x 1/4" ANGLE

ADJUSTABLE SIDE

2" PLANK

2" x 10"

SECTION A-A



SECTION B-B

2" x 2" x 1/4" ANGLE WITH 3/8" x 3/4" NOTCHES 2" O.C. EXCEPT AS NOTED

PIPE OR TUBE CONNECTING LINK AND HANDLE

SECTION C-C

SCALE: 3/4" = 1'-0" UNLESS OTHERWISE NOTED

COOPERATIVE EXTENSION WORK IN AGRICULTURE AND HOME ECONOMICS		
STATE OF NORTH DAKOTA		
NORTH DAKOTA STATE UNIVERSITY		
OF AGRICULTURE AND APPLIED SCIENCE		
UNITED STATES DEPARTMENT OF AGRICULTURE COOPERATING		
VARIABLE WIDTH CHUTE		
FOR CATTLE		
CAL	'58	EX. 5850 SHEET 2 OF 2