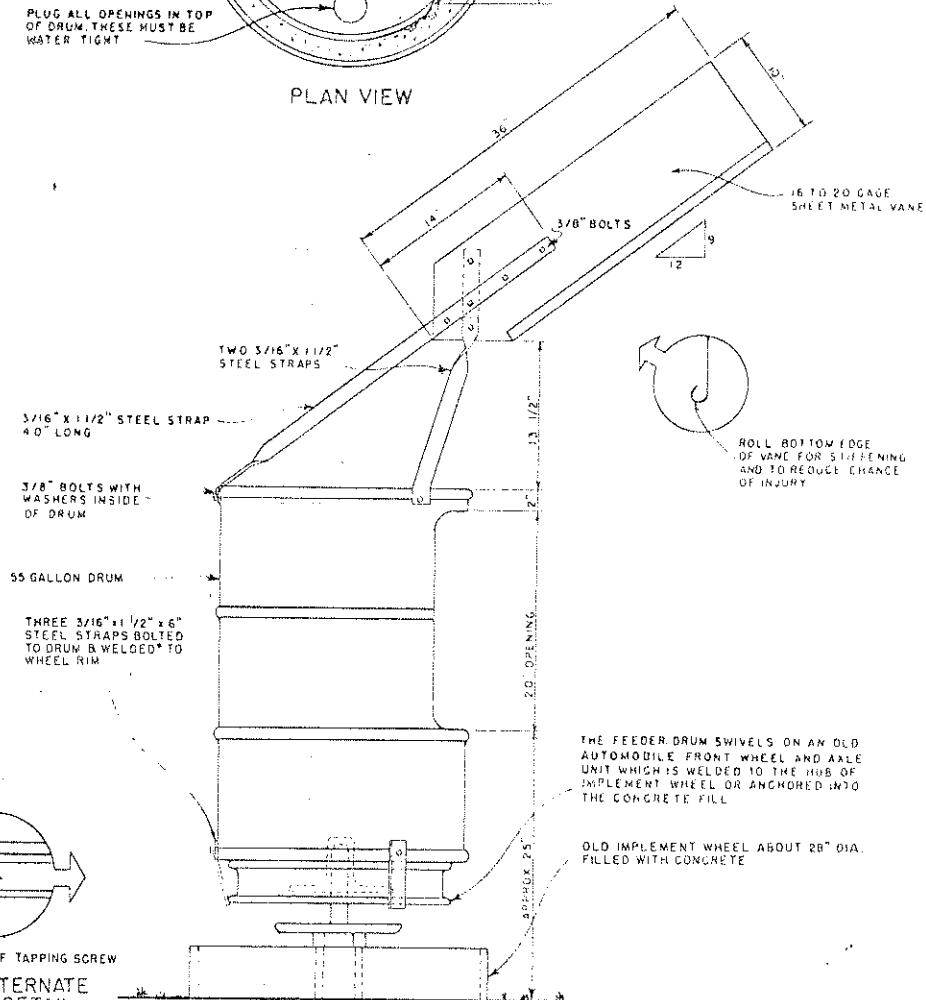
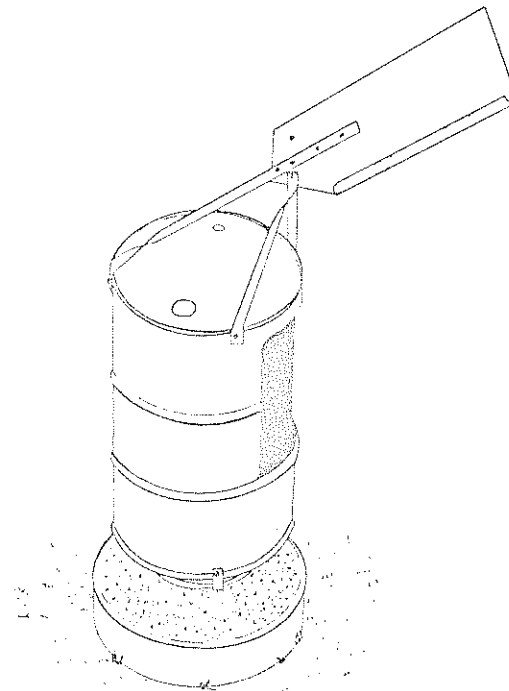


PLAN VIEW

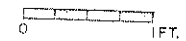


SIDE ELEVATION



PERSPECTIVE VIEW
NO SCALE

NOTE
FOR PROPER OPERATION, THE FEEDER SHOULD BE SET ON A LEVEL SURFACE
PAINT OUTSIDE WITH ALUMINUM PAINT OR OTHER RUST-PREVENTIVE COATING
COAT INSIDE OF DRUM WITH ASPHALT PAINT
REMOVE BURRS FROM EDGES OF OPENING CUT IN DRUM



COOPERATIVE EXTENSION WORK IN AGRICULTURE AND HOME ECONOMICS		
DEPARTMENT OF AGRICULTURAL ENGINEERING		
UNIVERSITY OF MARYLAND		
UNITED STATES DEPARTMENT OF AGRICULTURE COOPERATING		
WEATHERVANE MINERAL FEEDER FOR CATTLE		
CALIF	'57	EX. 5844 SHEET 1 OF 1