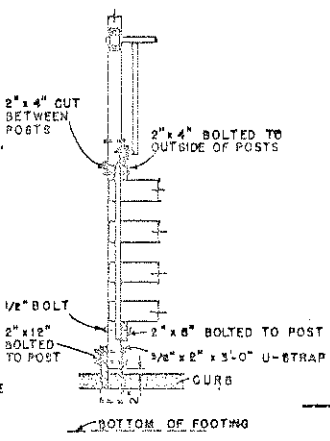
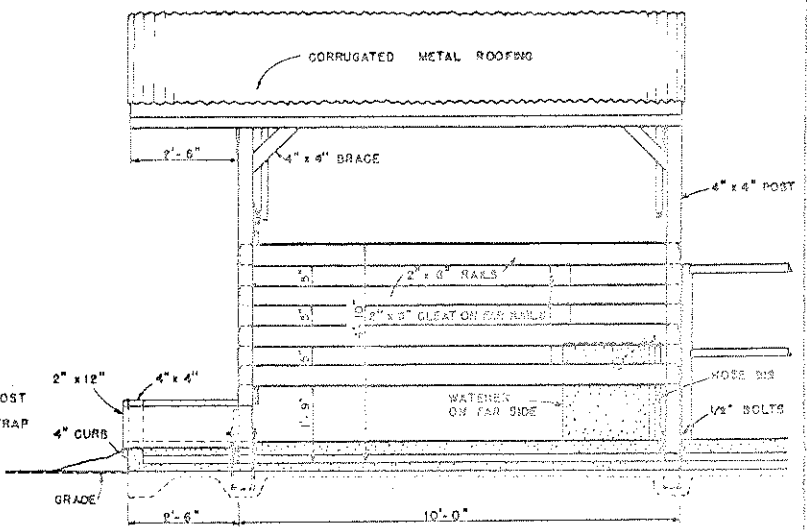


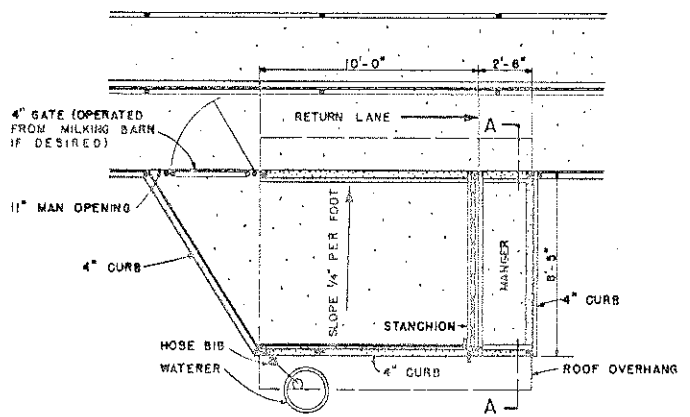
SECTION A-A  
SHOWING ELEVATION OF STANCHION  
0 1 2 3 FT.



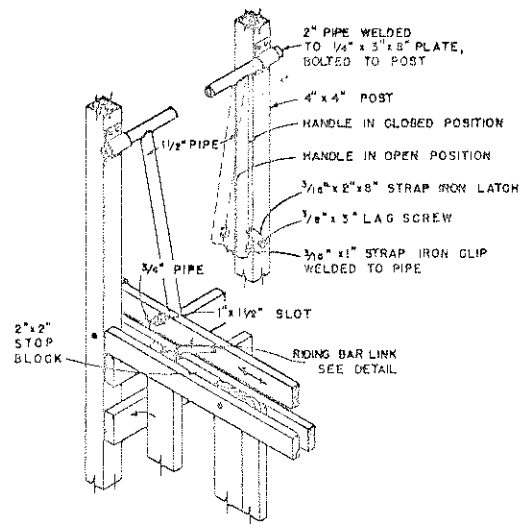
SECTION THRU STANCHION  
0 1 2 3 FT.



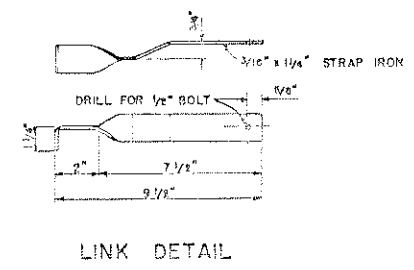
SIDE ELEVATION  
LOOKING FROM GUTTER SIDE  
0 1 2 3 FT.



FLOOR PLAN  
0 2 4 6 FT.



ARRANGEMENT FOR OPENING  
AND CLOSING STANCHIONS  
0 1 2 FT.



LINK DETAIL

NOTE:  
STALLS GENERALLY MUST BE LOCATED NOT LESS THAN 100 FEET FROM MILKHOUSE AND NOT LESS THAN 50 FEET FROM MILKING BARN.  
THIS PLAN IS DESIGNED FOR MODERATE WEATHER CONDITIONS. IN LOCALITIES HAVING HEAVY SNOW OR STRONG WINDS, A LOCAL ENGINEER OR ARCHITECT SHOULD BE CONSULTED.

COOPERATIVE EXTENSION WORK IN  
AGRICULTURE AND HOME ECONOMICS  
DEPARTMENT OF AGRICULTURAL ENGINEERING  
UNIVERSITY OF MARYLAND  
AND  
UNITED STATES DEPARTMENT OF AGRICULTURE COOPERATING

DAIRY STALLS  
FOR ARTIFICIAL BREEDING

CAL. '57 EX. 5840 SHEET 1 OF 1