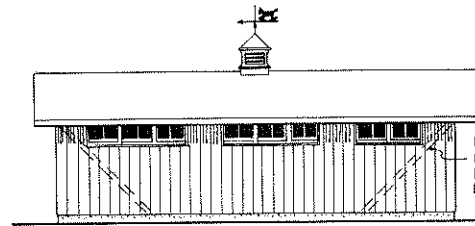
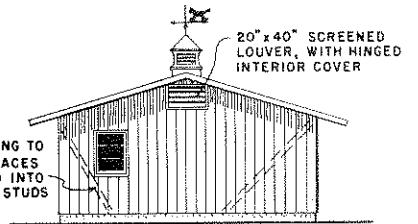


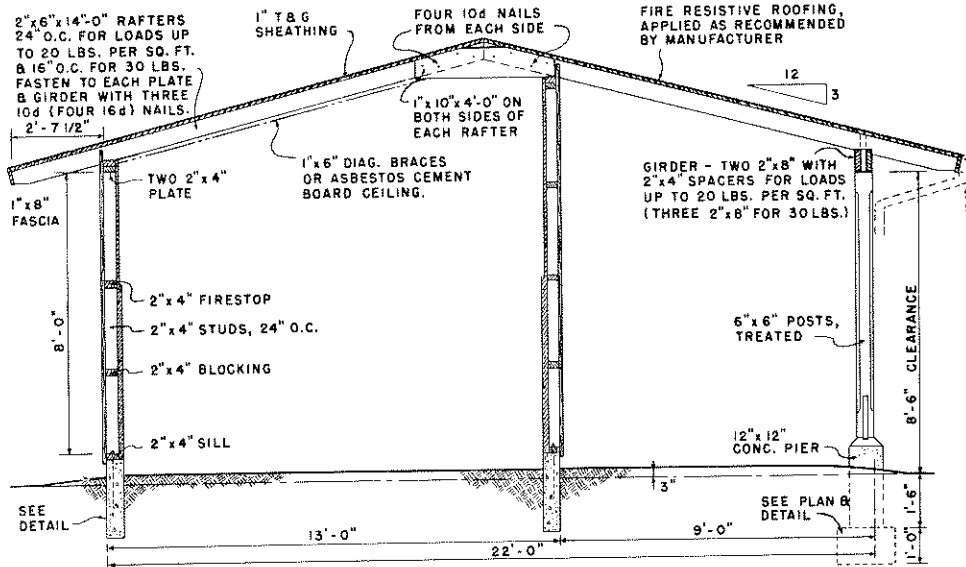
PERSPECTIVE



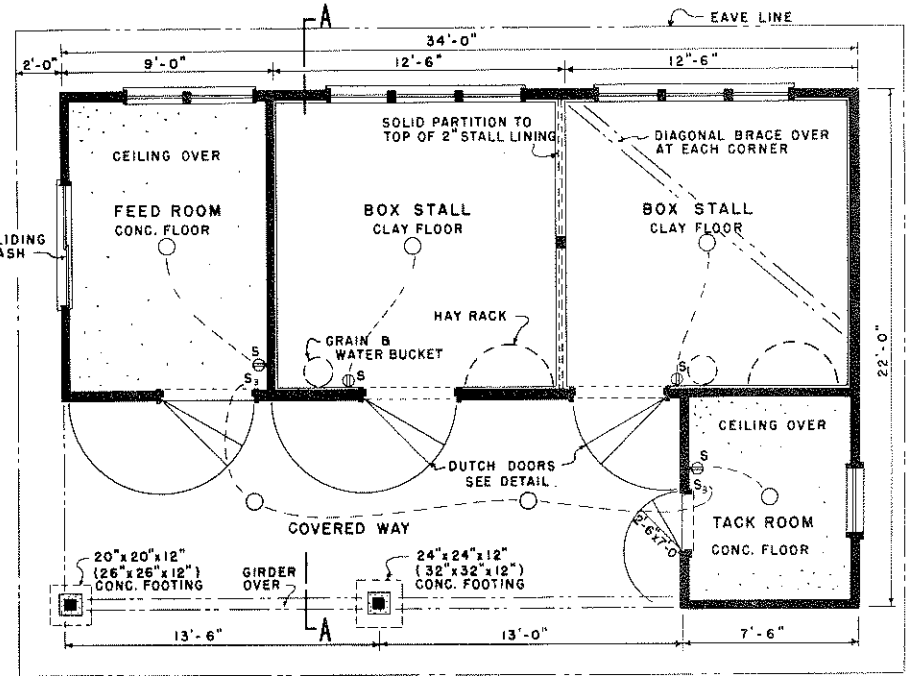
REAR ELEVATION  
SCALE: 1/8" = 1'-0"



RIGHT END ELEVATION  
SCALE: 1/8" = 1'-0"

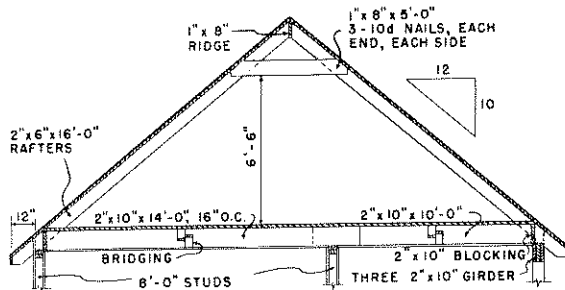


TYPICAL CROSS SECTION A-A  
SCALE: 3/8" = 1'-0"



PLAN

SCALE: 1/4" = 1'-0"



ALTERNATE ROOF  
SCALE: 1/4" = 1'-0"

THIS STEEPLY PITCHED ROOF PROVIDES MOW SPACE FOR STORAGE OF ADDITIONAL FEED & BEDDING, ALSO IS RECOMMENDED FOR USE WHEN NEEDED TO CONFORM TO THE APPEARANCE OF NEARBY BUILDINGS.

GENERAL NOTES:

- FOR AREAS WHERE THE SNOW LOAD DOES NOT EXCEED 20 LBS. PER SQ. FT., SPACE RAFTERS 24" O.C., USE THE TWO 2" x 8" GIRDER.
- FOR SNOW LOADS UP TO 30 LBS. PER SQ. FT., SPACE RAFTERS 16" O.C. AND USE A THREE 2" x 8" GIRDER.
- REGARDLESS OF SNOW LOAD, IF THE AREA IS SUBJECT TO WINDS OF HURRICANE FORCE, OVER 76 MPH, USE THE THREE 2" x 8" GIRDER AND THE FASTENINGS AND PIER FOOTINGS SHOWN IN PARENTHESIS (...)
- STALL WINDOWS: HOT CLIMATES... USE THREE SASH, AS SHOWN  
MODERATE " ... TWO "  
COLD " ... ONE "
- FOUNDATION WALLS AND PIER FOOTINGS MUST BE DEEP ENOUGH TO BEAR ON SOLID GROUND, BELOW FROST LINE.

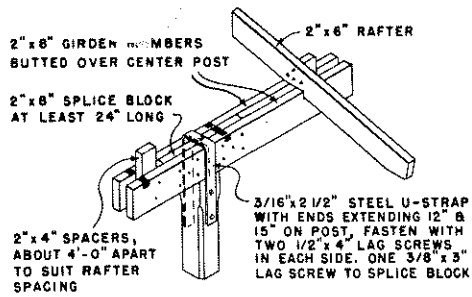
NOTE:

IF MOW IS USED, THE SMALLER ROOM AT RIGHT MAY BE USED FOR FEED STORAGE AND THE LARGER ROOM AT LEFT FOR TACK AND BUNK ROOM.

COOPERATIVE EXTENSION WORK IN  
AGRICULTURE AND HOME ECONOMICS  
STATE OF NORTH DAKOTA  
NORTH DAKOTA AGRICULTURAL COLLEGE  
AND  
UNITED STATES DEPARTMENT OF AGRICULTURE COOPERATING

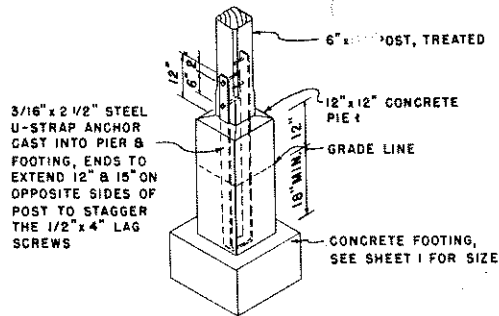
RIDING HORSE BARN

USDA '57 EX. 5838 SHEET 1 OF 2

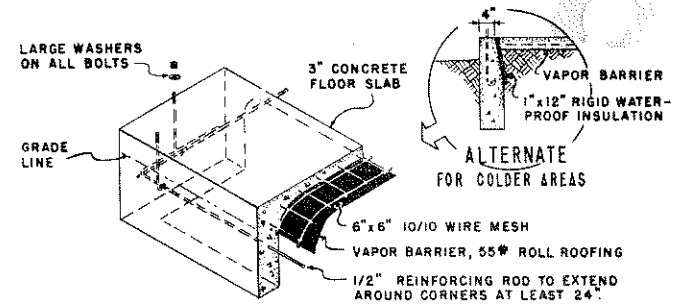


### POST, GIRDER & RAFTER DETAIL

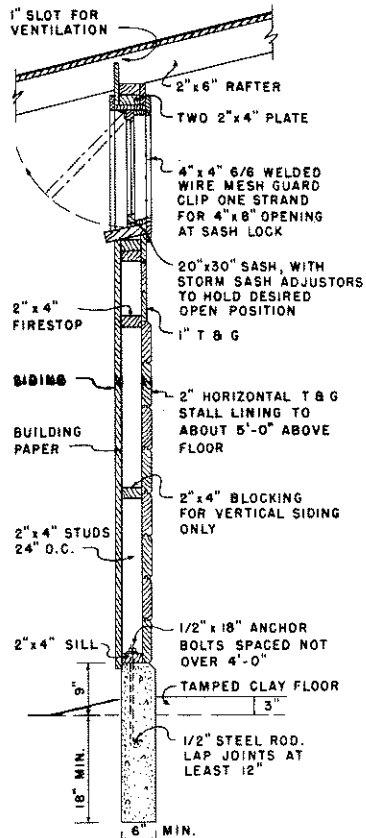
THE THREE PART GIRDER IS SIMILAR EXCEPT THE CENTER MEMBER JOINT SHALL BE 16" TO 30" FROM CENTER POST.



### FOOTING, PIER & POST DETAIL

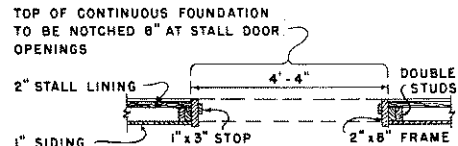


### FOUNDATION & FLOOR DETAIL AT CORNER FOR FEED & TACK ROOMS

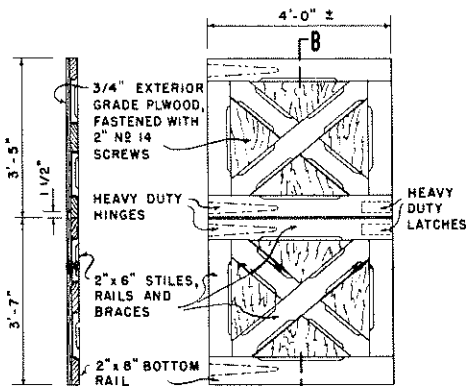


### FOUNDATION, WALL & STALL WINDOW DETAIL

SCALE: 3/4"=1'-0"

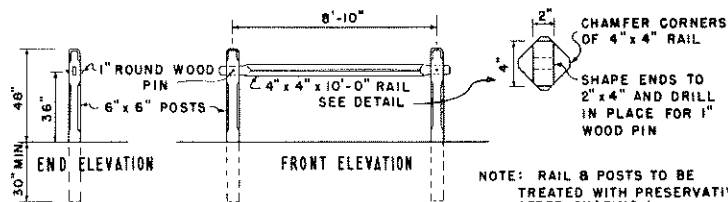


### JAMB DETAIL



### STALL DOOR DETAILS

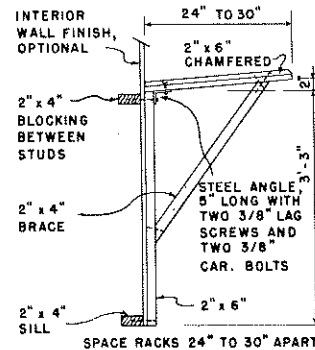
SCALE: 1/2"=1'-0"



### HITCHING RAIL

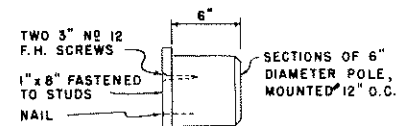
SCALE: 1/4"=1'-0"

NOTE: RAIL & POSTS TO BE TREATED WITH PRESERVATIVE AFTER SHAPING.



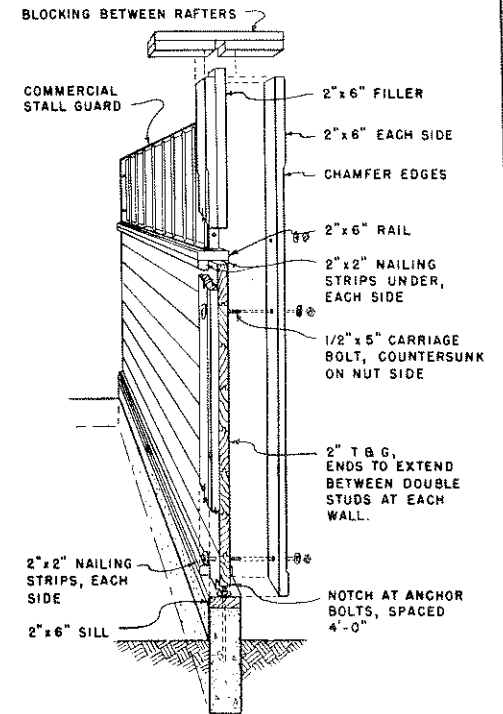
### SADDLE RACK

SCALE: 3/4"=1'-0"



### BRIDLE RACK

SCALE: 1/2"=1'-0"



### CUTAWAY SECTION STALL PARTITION

COOPERATIVE EXTENSION WORK IN AGRICULTURE AND HOME ECONOMICS  
STATE OF NORTH DAKOTA  
NORTH DAKOTA AGRICULTURAL COLLEGE  
AND  
UNITED STATES DEPARTMENT OF AGRICULTURE COOPERATING

### RIDING HORSE BARN

USDA '57 EX. 5838 SHEET 2 OF 2